

MXR-1 U38□A

Single-phase solid-state regulator

单相固态调压器



产品特点 Product Characteristics

- 双向可控硅移向输出，内置阻容吸收电路。
- 单片机程序控制电流，输出更精准、更稳定。
- 外接1-10VDC电压即可实现输出电压自动调节。
- LED灯显示运转调压状况。
- 适合长时间使用和高可靠性。
- 配有安全保护盖。
- Bidirectional thyristor shift output, built-in resistance-capacitance absorption circuit.
- Single-chip computer program control the current, the output is more accurate and stable.
- The output voltage can be automatically adjusted by external 1-10VDC voltage.
- LED lights show the operating voltage regulation status.
- Suitable for long time use and high reliability.
- Equipped with safety cover.

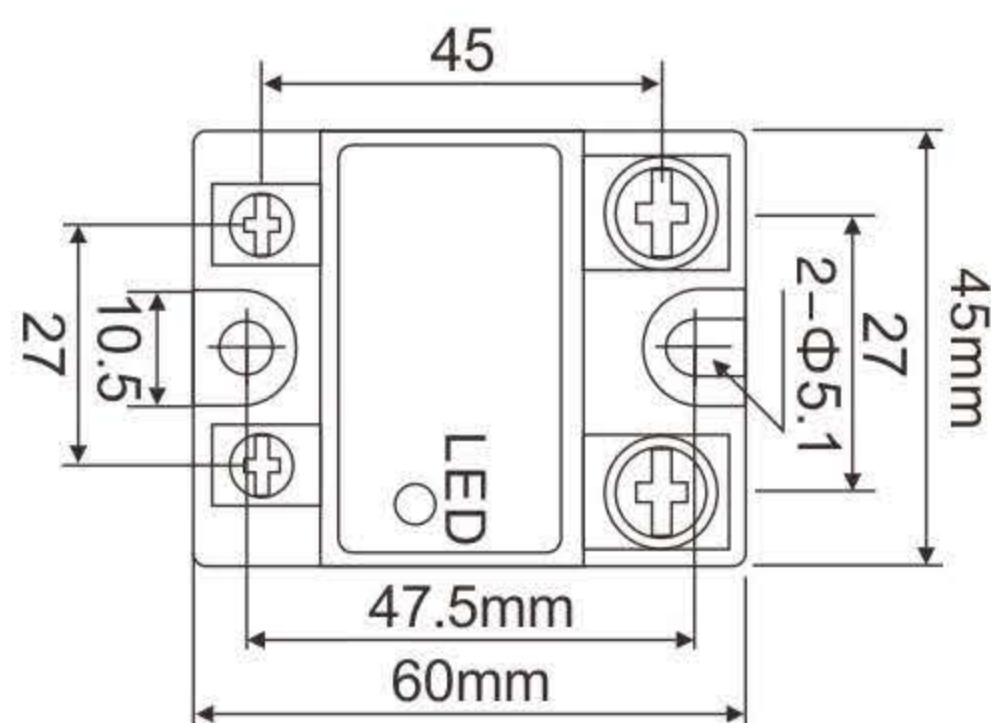
主要技术参数 Main Technical Parameters

项目 Item	参数 Parameters
负载电流 Load Current	10A 25A 40A 60A 80A 100A 120A
负载电压 Load Voltage	0-380VAC
控制电压 Control Voltage	1-10VDC
控制电流 Control Current	/
通态压降 On Voltage	≤ 1.5V
通态漏电流 On-state leakage current	≤ 2mA
断态时间 On-off Time	≤ 10ms
介质耐压 Dielectric Strength	2500VAC
绝缘电阻 Insulation Resistance	1000MΩ / 500VDC
环境温度 Ambient Temperature	-30~+75°C
安置方式 Mounting Methods	螺栓固定 Bolt fixed
工作指示 The work instructions	LED
重量 Weight	95g

注意事项 Matters needing attention

- 负载电流高于5A时必须使用散热器，固态继电器底板与散热器安装面之间涂上导热硅脂，40A以上加风扇强冷或水冷。
- 使用在感性负载时，需要在输出端接入双向稳压二极管或压敏电阻(MOV)。压敏电阻推荐取额定电压的1.6-1.9倍。
- 为了避免固态继电器的温升超过允许值，两只或多只固态继电器并排安装时，应留有适当的间距。
- 当使用多只固态继共用一个控制电源时，输入端即可以串联使用也可以并联使用。
- When the load current is higher than 5A, the heat sink must be used. Apply thermal grease between the solid state relay bottom plate and the heat sink mounting surface, and add strong fan cooling or water cooling above 40A.
- When used in inductive loads, it is necessary to connect a bidirectional voltage regulator diode or varistor (MOV) at the output end. The varistor is recommended to be 1.6-1.9 times the rated voltage.
- In order to avoid the temperature rise of the solid-state relay exceeding the allowable value, two or more solid-state relays should be installed side by side with appropriate spacing.
- When multiple solid-state relays are used to share a control power supply, the inputs can be used in series or in parallel.

外形及安装尺寸 / 接线图 Outline and mounting dimensions/wiring diagram (mm)



60L X 45W X 30H

