

SINOMACH
732T
SINOMACH-HI INTERNATIONAL EQUIPMENT CO.,LTD.

额定功率(Rated Power):246kW@2100rpm

操作重量(Operating Weight):28000Kg (Ripper)



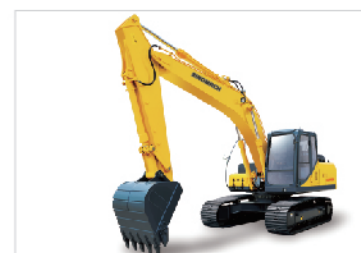
- Cummins electronically controlled engine.
- Adopt high-strength slewing bearing and overload protection worm gear box, suitable for heavy load conditions
- Strong traction and excellent overall stability, suitable for mine road cleaning and super hard road leveling
- Load-sensitive hydraulic system, double-handle electronic control, better control feeling, less control force, more energy-saving and high-efficiency
- Full hydraulic dual-circuit service braking system, wet braking, easy maintenance, safe and stable braking
- Optional rear ripper, front bulldozer, automatic leveling device



Wheel Loader



Motor Grader



Excavator



Backhoe Loader



Vibratory Roller



Truck Mounted Crane



Bulldozer



Paver



Skid Steer


SINOMACH-HI International Equipment Co.,Ltd.

 Add:No.898,West Huanghe Road, Changzhou, Jiangsu,
 P.R.of China

P.C:213136

Tel:86-519-86781288 86752400

Fax:86-519-86781387

Http://www.sinomachglobal.com

E-mail:sales@changlin.com.cn service@changlin.com.cn

2023.02


国机重工集团国际装备有限公司
SINOMACH-HI International Equipment Co.,Ltd.



发动机(Engine)

型号Model康明斯CumminsQSM11-C330
 型式Type.....电喷、涡轮增压、空空中冷；温控独立散热系统
EFI,turbocharger,air-to-aircooling;temperature control independent cooling system
 额定功率Rated Power..... 246kW@2100rpm
 最大扭矩Max. torque.....1674Nm/1400rpm



变速系统 (Transmission System)

ZF电液控制动力换挡、自动变速箱，单手柄操作。
 ZF electro-hydraulic controlled power shift single handle operation, automatic transmission,
 行驶速度(km/h) Traveling speed (at rated engine rpm)

| Gearshift | Forward speed | Reverse speed |
|-----------------|---------------|---------------|
| 1 st | 5.8 | 5.5 |
| 2 nd | 8.6 | 13.0 |
| 3 rd | 13.3 | 29 |
| 4 th | 20.3 | |
| 5 th | 29 | |
| 6 th | 43 | |



液压系统 (Hydraulic System)

系统压力System pressure.....25MPa
 双手柄电控操纵负载敏感系统
 Dual-handle electronically controlled load-sensing system



转向 (Steering System)

前轮的最大转向角.....左右各 49°
 Max. turning range.....left or right 49°
 车架转向角.....左右各 25°
 Frame articulation.....left or right 25°
 最小转弯半径.....9000mm
 Min. turning radius.....9000mm
 系统压力 System pressure.....16MPa
 全液压前轮转向、铰接转向、紧急转向
 Full hydraulic front wheel steering, articulated steering, emergency steering



车桥 (Axles)

前桥.....摆角为±15°
 Front axle.....oscillation angle(total)±15°
 前轮倾斜角 wheel lean angle.....right or left 17°
 后桥: 全浮式后桥, 带 NO-SPIN 差速器
 Rear axle: full-floating rear axle with NO-SPIN differential



终传动 (Tandem Drive)

平衡箱摆角(Tandem oscillation).....13° forward and reverse
 终传动.....螺旋锥齿轮, 单级减速。
 Final driving.....Spiral bevel gear, single stage reduction
 串联传动.....链传动
 Tandem drive.....Chains



制动 (Brakes)

行车制动.....全液压湿式制动
 Service brake.....Full Hydraulic Wet Brakes
 停车制动.....液压操纵盘式制动
 Parking brake.....Hydraulically Operated Disc Brake



铲刀 (Moldboard)

铲刀尺寸 Dimensions.....4620mm×695mm×20mm



刀板变动范围 (Blade Range)

铲刀移动距离(Moldboard side shift)
 Right.....980mm
 Left.....555mm
 Max. shoulder reach outside rear tires(frame straight)
 Right.....2260mm
 Left.....1950mm
 Max. lift above ground.....515mm
 Max. grading depth.....735mm
 Max. blade angle, right or left.....65°
 Blade tip angle.....23°~73°



轮胎 (Tyre)

轮胎规格 Tyre size.....18.00-25-28PR



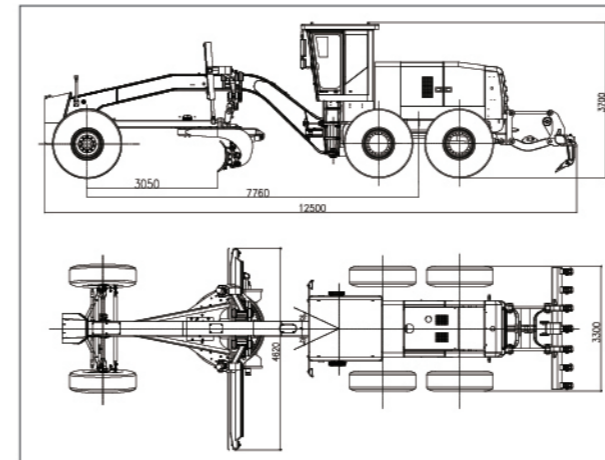
驾驶室 (Cabin)

Large cab space, overall adjustable instrument column, adjustable suspension seat, Standard Rops & FOPS, standard heating and cooling air conditioning, better comfort.



油量 (Refill Capacity)

燃油箱 Fuel tank.....540L
 变速箱 Transmission.....35~40L
 曲轴箱 Crank case.....28L
 后桥 Rear axle.....35L
 平衡箱(单边) Tandem housing(each).....60*2L
 液压系统 Hydraulic system.....200L



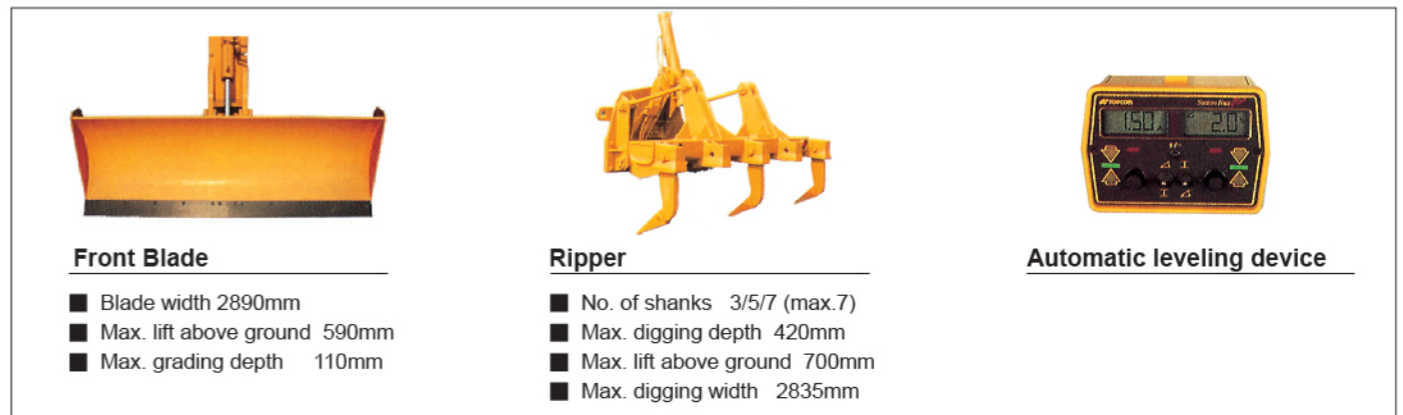
Comfortable Cabin



Large cab space, overall adjustable instrument column, adjustable suspension seat, Standard Rops & FOPS, standard heating and cooling air conditioning, better comfort

Optional Attachment

1. 推土板Front Blade
2. 后松Ripper
3. 自动找平仪Automatic leveling device



Front Blade

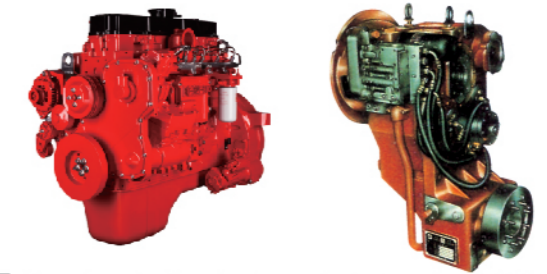
- Blade width 2890mm
- Max. lift above ground 590mm
- Max. grading depth 110mm

Ripper

- No. of shanks 3/5/7 (max.7)
- Max. digging depth 420mm
- Max. lift above ground 700mm
- Max. digging width 2835mm

Automatic leveling device

Best Matched Power Train



Cummins electronically controlled engine, efficient and environmentally friendly, equipped with electronically controlled automatic shifting gearbox, perfectly integrated with the transmission system.

Imported Multi-way Valve & Pump



High efficiency and energy saving with load-sensitive pumps and valves