

SINOMACH

GTY600

SINOMACH-HI International Equipment Co.,Ltd.

(额定功率) Rated power: 450kW@1800rpm
(整机重量)Weight:70630kg

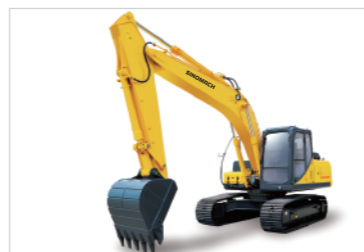
Optional Attachment



Wheel Loader



Motor Grader



Excavator



Backhoe Loader



Vibratory Roller



Truck Mounted Crane



Bulldozer



Paver



Skid Steer

BULLDOZER
大马力推土机



国机重工集团国际装备有限公司

SINOMACH-HI INTERNATIONAL EQUIPMENT CO., LTD.

Add:No.898 West Huang He Road, Changzhou city, Jiangsu Province, China
PC:213136

Tel:86-519-86781288 86752400

Fax:86-519-86781387

Http://www.sinomachglobal.com

E-mail:sales@changlin.com.cn service@changlin.com.cn



国机重工集团国际装备有限公司
SINOMACH-HI International Equipment Co.,Ltd.

发动机(ENGINE)

型号.....康明斯 QSK19-C604
 Model.....Cummins QSK19-C604
 型式.....涡轮增压、高压共轨、四冲程
 Type.....Turbocharged、Common Rail、Four-Stroke
 额定功率 Rated power 450kW@1800rpm
 最大扭矩 Max. torque3019N.m@1300rpm
 排量.....19L
 Displacement19L
 缸数-缸径×行程6-φ159×159mm
 Number of cylinders-bore×stroke.....6-φ159×159mm
 最低燃油消耗量 Min fuel consumption ratio.....216g/kw·h

传动装置 TRANSMISSION SYSTEM

液力变矩器.....三元件, 单级, 单相
 Torque converter.....3-element, single-stage, single-phase
 变速箱.....行星齿轮, 多片离合器, 液压结合强制润滑式, 前进三档后退三档。
 Transmission.....Planetary gear, multiple-disc clutch, hydraulic actuated, forced lubrication by gear pump, 3 forward and 3 reverse speeds.
 中央传动.....螺旋伞齿轮、飞溅润滑
 Bevel gear.....Helical bevel gear, splash lubricated
 转向离合器.....湿式多片离合器, 弹簧压紧, 液压分离
 Steering clutch.....Wet, Multiple disc, Spring loaded, hydraulically released.
 转向制动器.....湿式, 带式, 液压助力联动操纵
 Steering brake.....Wet, band brake, operated with hydraulic booster
 最终传动.....直齿轮, 二级减速, 飞溅润滑
 Final drive.....double reduction, splash lubricated

行驶速度 TRAVEL SPEED(km/h)

	1st	2st	3st
前进 Forward	3.9	6.8	12.1
后退 Reverse	5.3	9.6	15.9

工作装置液压系统

HYDRAULIC SYSTEM OF WORK EQUIPMENT

工作压力 Working pressure.....21Mpa

行走装置 UNDER CARRIAGE

支重轮数(每侧).....7
 Number of track rollers(each side).....7
 张力机构 Track tension.....Hydraulic-adjusted

工作装置 WORK EQUIPMENT

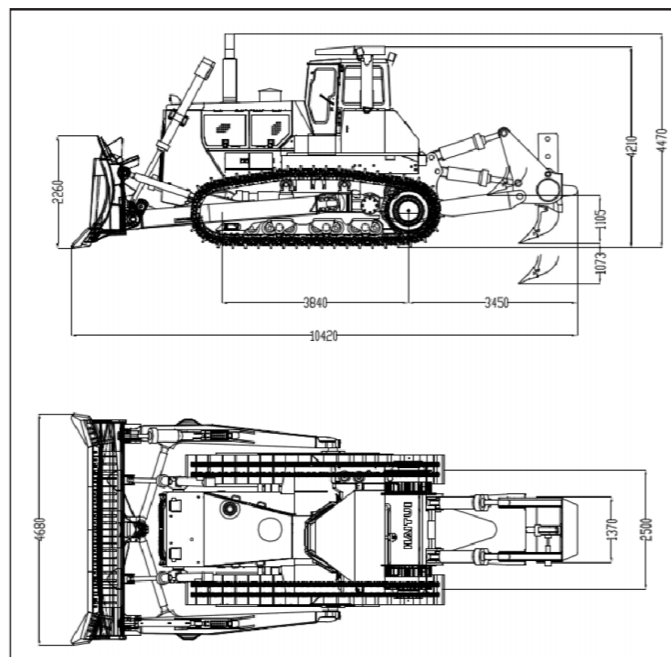
推土板形式 Blade type.....Semi-U blade
 铲刀宽度 Blade Width..... 4690mm
 铲刀高度 Blade height..... 2250mm
 最大切土深度 Max.drop below ground..... 715mm
 最大侧倾量 Max.Tilt..... 730mm
 铲刀容量 Blade capacity..... 18.5m³

履带 TRACK

节距 Track pitch.....280mm
 宽度 Track width.....610mm
 履带板数(每侧) Number of track shoes(each side).....40
 履带接地长度 Length of track on ground.....3840mm
 离地间隙 Ground clearance.....610mm
 履带中心距 Track gauge.....2500mm

松土器 RIPPER

型式 Type.....Single Shank
 最大松土深度 Max.dig below ground..... 1435mm
 最大提升高度 Max.lift above ground.....1105mm
 重量 Weight.....3600kg



Cummins engine

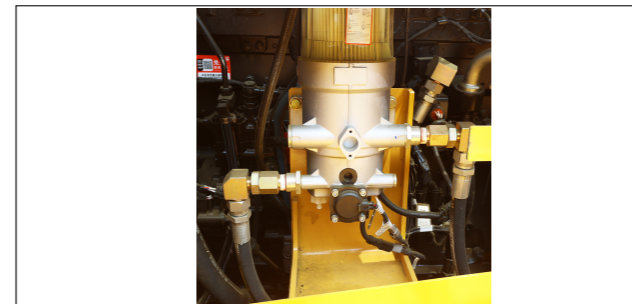


- The dedicated engine delivers robust power and exceptional efficiency.
- The electronic control transmission allows for preset gear selection.
- The K-type suspension four wheels and one track exhibit excellent ground adaptability and remarkable durability.

Walking aid



Fuel filter



- Ease of Maintenance and operation
- Comfort Centralized layout of filters facilitates easy maintenance.
- Spacious and well-sealed cab offer excellent visibility. Intelligent diagnostic system monitors various parameters in real time

Comfortable cab



Lifting cylinder



Ripper



- Featuring a U-shaped blade constructed from high-strength materials, along with a robust single-tooth ripper and reinforced heavy-duty tracks, the machine is well-suited for operations in extremely harsh mining conditions.