

Optional Attachment



# GTY600

SINOMACH-HI International Equipment Co.,Ltd.

(额定功率) Rated power: 450kW@1800rpm  
(整机重量)Weight:70630kg

## BULLDOZER 大马力推土机



Wheel Loader



Motor Grader



Excavator



Backhoe Loader



Vibratory Roller



Truck Mounted Crane



Bulldozer



Paver



Skid Steer

国机重工集团国际装备有限公司

SINOMACH-HI INTERNATIONAL EQUIPMENT CO., LTD.

Add:No.898 West Huang He Road, Changzhou city, Jiangsu Province, China  
PC:213136

Tel:86-519-86781288 86752400

Fax:86-519-86781387

Https://www.cn-changlin.com/

E-mail:sales2@changlin.com.cn



国机重工集团国际装备有限公司  
SINOMACH-HI International Equipment Co.,Ltd.

**发动机(ENGINE)**

型号.....康明斯 QSK19-C604  
 Model.....Cummins QSK19-C604  
 型式.....涡轮增压、高压共轨、四冲程  
 Type.....Turbocharged、Common Rail、Four-Stroke  
 额定功率 Rated power ..... 450kW@1800rpm  
 最大扭矩 Max. torque .....3019N.m@1300rpm  
 排量.....19L  
 Displacement .....19L  
 缸数-缸径×行程 .....6-φ159×159mm  
 Number of cylinders-bore×stroke.....6-φ159×159mm  
 最低燃油消耗量 Min fuel consumption ratio.....216g/kw·h

**传动装置 TRANSMISSION SYSTEM**

液力变矩器.....三元件，单级，单相  
 Torque converter.....3-element,single-stage,single-phase  
 变速箱.....行星齿轮，多片离合器，液压结合强制润滑式，前进三档后退三档。  
 Transmission.....Planetary gear,multiple-disc clutch,hydraulic actuated,forced lubrication by gear pump, 3 forward and 3 reverse speeds.  
 中央传动.....螺旋伞齿轮、飞溅润滑  
 Bevel gear.....Helical bevel gear,Splash lubricated  
 转向离合器.....湿式多片离合器，弹簧压紧，液压分离  
 Steering clutch.....Wet,Multiple disc,Spring loaded,hydraulically released.  
 转向制动器.....湿式，带式，液压助力联动操纵  
 Steering brake.....Wet, band brake, operated with hydraulic booster  
 最终传动.....直齿轮，二级减速，飞溅润滑  
 Final drive.....double reduction,splash lubricated

**行驶速度 TRAVEL SPEED(km/h)**

	1st	2st	3st
前进 Forward	3.9	6.8	12.1
后退 Reverse	5.3	9.6	15.9

**工作装置液压系统 HYDRAULIC SYSTEM OF WORK EQUIPMENT**

工作压力 Working pressure.....21Mpa

**行走装置 UNDER CARRIAGE**

支重轮数（每侧）.....7  
 Number of track rollers(each side).....7  
 张力机构 Track tension.....Hydraulic-adjusted

**工作装置 WORK EQUIPMENT**

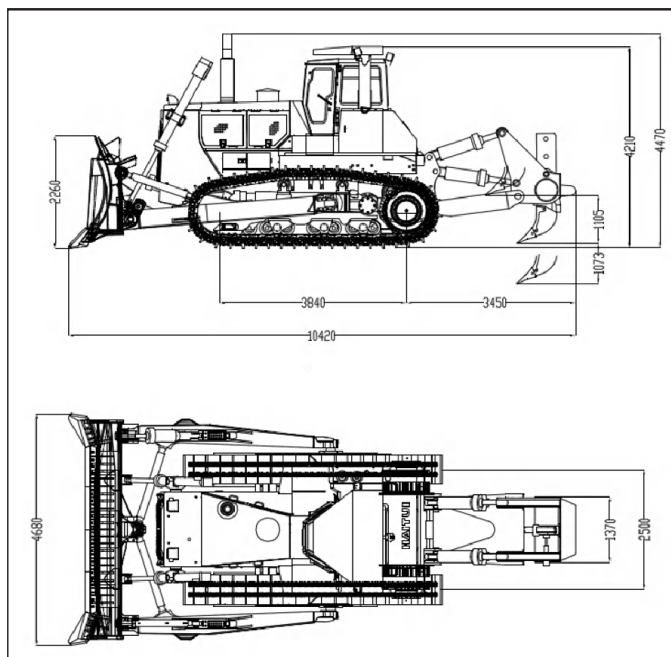
推土板形式 Blade type..... Semi-U blade  
 铲刀宽度 Blade Width..... 4690mm  
 铲刀高度 Blade height.....2250mm  
 最大切土深度 Max.drop below ground..... 715mm  
 最大侧倾量 Max.Tilt..... 730mm  
 铲刀容量 Blade capacity..... 18.5m³

**履带 TRACK**

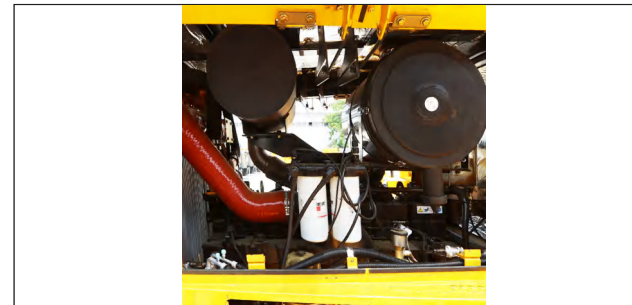
节距 Track pitch.....280mm  
 宽度 Track width.....610mm  
 履带板数（每侧）Number of track shoes(each side).....40  
 履带接地长度 Length of track on ground.....3840mm  
 离地间隙 Ground clearance.....610mm  
 履带中心距 Track gauge.....2500mm

**松土器 RIPPER**

型式 Type.....Single Shank  
 最大松土深度 Max.dig below ground..... 1435mm  
 最大提升高度 Max.lift above ground.....1105mm  
 重量 Weight.....3600kg



**Cummins engine**

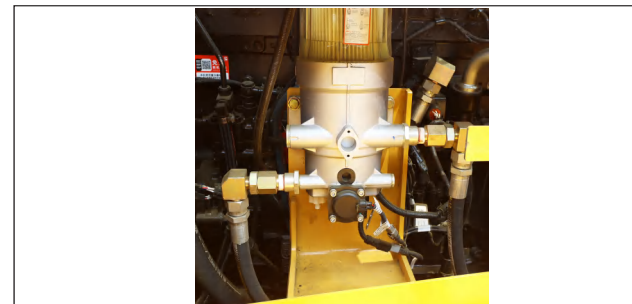


- The dedicated engine delivers robust power and exceptional efficiency.
- The electronic control transmission allows for preset gear selection.
- The K-type suspension four wheels and one track exhibit excellent ground adaptability and remarkable durability.

**Walking aid**



**Fuel filter**



- Ease of Maintenance and operation
- Comfort Centralized layout of filters facilitates easy maintenance.
- Spacious and well-sealed cab offer excellent visibility. Intelligent diagnostic system monitors various parameters in real time

**Comfortable cab**



**Lifting cylinder**



**Ripper**



- Featuring a U-shaped blade constructed from high-strength materials, along with a robust single-tooth ripper and reinforced heavy-duty tracks, the machine is well-suited for operations in extremely harsh mining conditions.