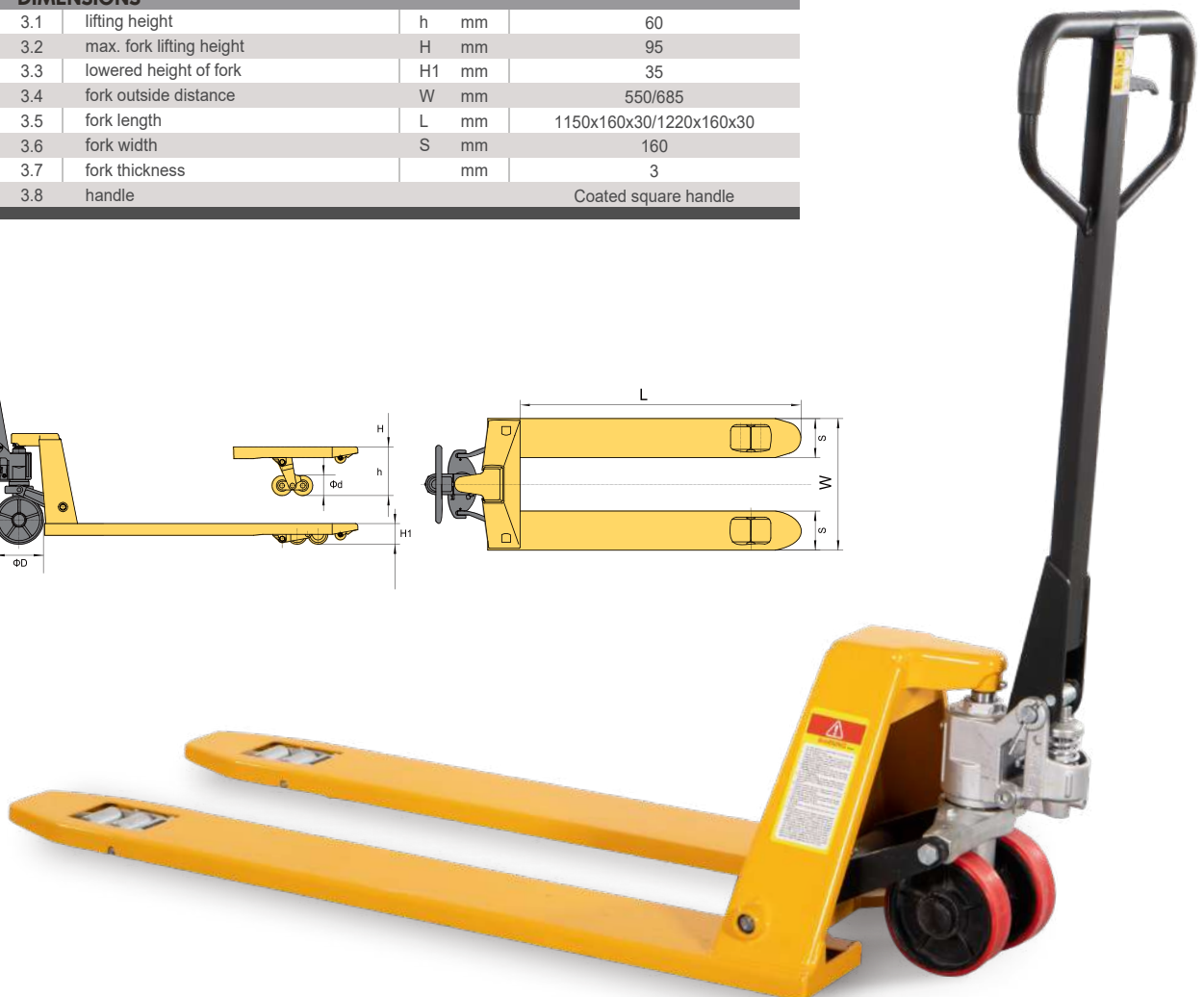
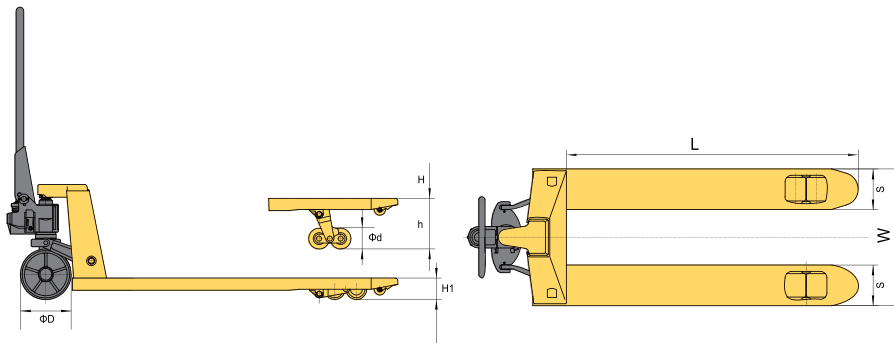


WH-10L-35H

Low Profile Hand Pallet Truck

- ◆ Easy access to the lowest pallets and containers with the minimum floor clearance of 35mm only.
- ◆ High quality surface treatment.
- ◆ Reliable Pump, Integrated BF pump, more than 1 million pcs use in China per year, high reliable quality, extremely low failure rate.

MODEL		WH-10L-35H	
FEATURE			
1.1	capacity	kg	1000
1.2	pump type		BF
WHEEL			
2.1	wheel(drive/load) Type		PU/IRON
2.2	size of steering wheel	ΦD mm	160*50
2.3	size of Loading wheel(double wheel)	Φd mm	34*62
DIMENSIONS			
3.1	lifting height	h mm	60
3.2	max. fork lifting height	H mm	95
3.3	lowered height of fork	H1 mm	35
3.4	fork outside distance	W mm	550/685
3.5	fork length	L mm	1150x160x30/1220x160x30
3.6	fork width	S mm	160
3.7	fork thickness	mm	3
3.8	handle		Coated square handle



Hand Pallet Truck

STRONG CHASSIS DESIGN



- ◆ Full stiffener + Reinforced half Stiffener on both sides.
- ◆ Solid push rod.



- ◆ Extra reinforcement rod on top of the chassis.
Leads to a longer chassis life time.



- ◆ **Ergonomic handle**
Square handle with rubber coated, comfort and easy operation.



- ◆ Unique wheel fork design : Steady bolt.

