

SDPO-IP Off Grid Hybrid Inverter(Split)

7.2kW/10kW/12kW

- Lithium communication
- Photovoltaic+mains charging
- Eight major protection functions
- Pure sine wave output



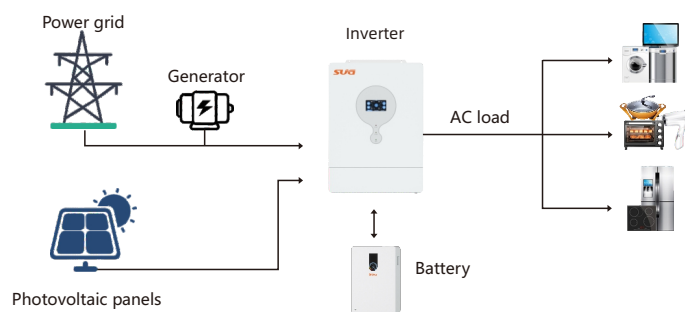
Product Introduction

The SDPO-IP Split phase standard off grid hybrid inverter combines photovoltaic and mains charging and discharging, UPS bypass, and battery inversion functions. It can intelligently adjust the work priority, communicate with home lithium batteries, and can also increase output power through multiple sets of parallel machines. It can output split phase 120V/240V voltage, which is suitable for different application scenarios in the Americas, such as homes, RV, agriculture, and industry.

Product features

- 1 Advanced SPWM technology, pure sine wave output
- 2 Automatic activation of lithium batteries
- 3 Three output modes: photovoltaic, inverter, and mains bypass
- 4 Four charging modes including photovoltaic, mains, photovoltaic priority, and hybrid charging
- 5 Advanced MPPT technology with an efficiency of up to 99.9%

Product Connection Diagram



Product Parameters

Model	SDPO-IP-7.2kW Split	SDPO-IP-10kW Split	SDPO-IP-12kW Split
AC/Generator input			
Rated input voltage	120Vac(L1/N, L2/N)/240Vac(L1/L2)		
Voltage range	(85Vac~140Vac)±2%		
Frequency	50Hz/60Hz (Auto detection)		
Inverted output			
Rated power	Split phase 72000W; single phase 6000W (limited by the wiring terminals)	Split phase 10000W; single phase 7200W (limited by the wiring terminals)	Split phase 12000W; single phase 7200W (limited by the wiring terminals)
Output voltage	120Vac(L1/N, L2/N)/240Vac(L1/L2)		
Waveform	Pure sine wave		
Switching time (adjustable)	10ms (typical)		
Peak power	Split phase 10800W; Single phase 10800W	Split phase 15000W; Single phase 15000W	Split phase 18000W; Single phase 18000W
Battery			
Battery type	Lithium ion batteries/lead-acid batteries		
Rated battery voltage	51.2V (Minimum starting voltage 44V)		
Battery voltage range	40~58.6Vdc		
PV input			
PV charging meth	MPPT		
PV maximum input power	4500W+4500W	5500W+5500W	6000W+6000W
Maximum PV Input Current	16A+16A	22A+22A	
MPPT tracking range	90-450VDC		
Maximum PV charging current(can be set)	150A	200A	220A
Maximum AC charging current	120A	120A	160A
Maximum total charging current	150A	200A	220A
Basic parameters			
Communication interface	USB/RS485(/WiFi/GPRS)/ Dry node control		
Parallel interface	Maximum of 6 parallel machines (optional)		
Product size (mm)	580*359*127	620*450*132	620*450*132
Product size (mm)	696*483*214	768*564*234	768*564*234
NW. (kg)	15.9	24.3	24.3
GW. (kg)	18.9	27.45	27.45