

Hyperbaric Oxygen Chamber

(2ATA Lightweight Top Luxury Sitting Style Shell Shape Chamber for Double Persons)

Model: Paramount P8+



About Hyperbaric Oxygen Therapy (HBOT):

Hyperbaric oxygen therapy (HBOT) is well known for treating scuba and deep-sea divers affected by the rapid change in pressure around them. But did you know that HBOT is also used to treat a variety of other health problems, including carbon monoxide poisoning and diabetic foot ulcers.

Hyperbaric oxygen therapy treats chronic wounds and other medical conditions. Room air contains 21% oxygen, while hyperbaric oxygen therapy provides you with air that contains 100% oxygen. A pressurized chamber delivers oxygen that's two to three times higher than normal air pressure, which helps your lungs gather and absorb more oxygen. Oxygen helps the tissues in your body heal and withstand infections.

Healthcare providers use hyperbaric oxygen therapy alone or with other medical treatments, such as medications or surgery. Most people receive hyperbaric oxygen therapy on an outpatient basis for one to two hours each session. Depending on the type of treatment, you may sit or lie down during the procedure.

Other names for hyperbaric oxygen therapy include HBO therapy or HBOT

Features:

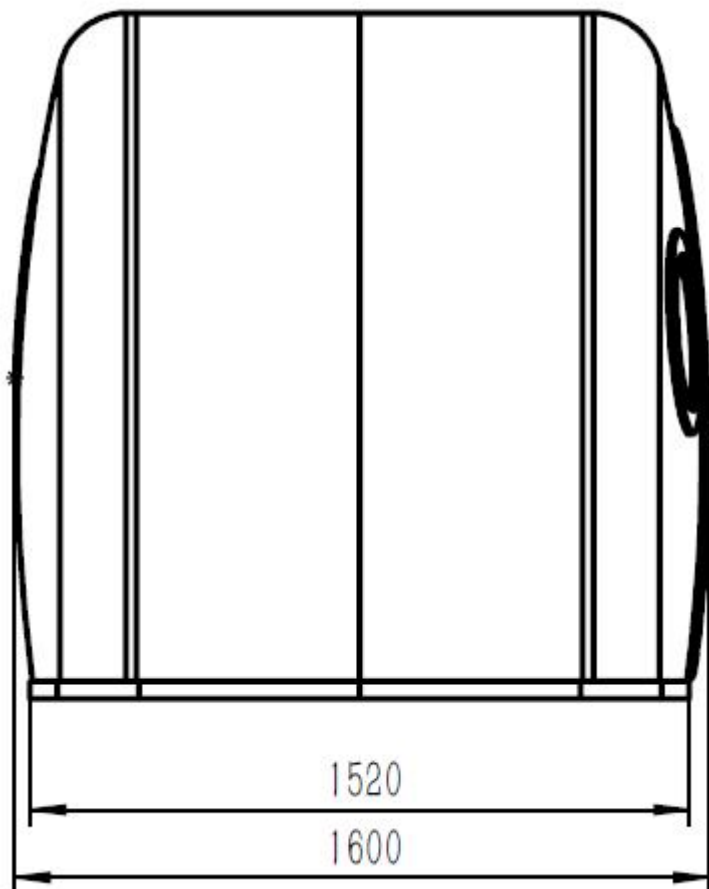
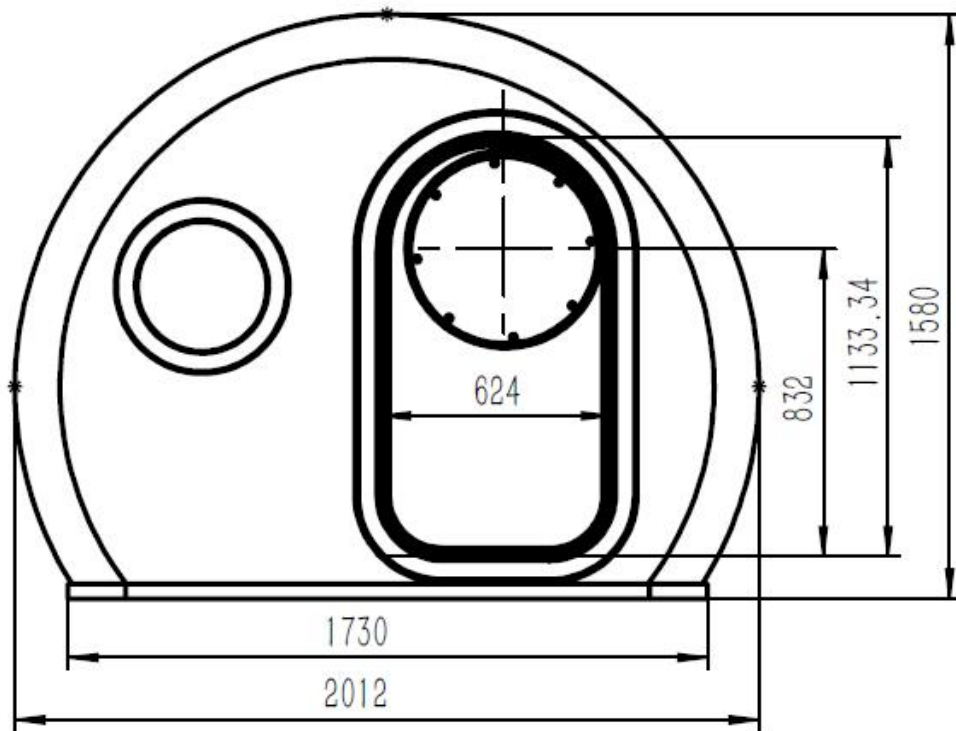


- Made with Aluminum alloy, it is lightweight and easy to move.
- Made with enhanced material and special design, it can bear max 250KPA(2.5ATA), continuous pressure:200Kpa(2.0ATA). The first 2ATA soft chamber in the world.
- The new work of the design master, the appearance is fashionable and luxurious, with a strong sense of technology.
- Using high-tech new materials, the cabin structure is firm, can withstand high pressure, and is light in weight.
- Big window and big door, the interior space is spacious without feeling oppressive, suitable for claustrophobic users.
- Interphone system for two-way communication.
- Automatic air pressure control system, the door is sealed by pressure.
- Control system combines of air compressor, oxygen concentrator.
- Security measures: With Manual safety valve and automatic safety valve,
- Delivers 96%±3% oxygen under pressure via an oxygen headset/facial mask.
- Material safety and environmental: protection Stainless Steel Material.
- ODM & OEM: Customize color for different request.

Specification:

About Cabin:

Index	Content
Model Name	Paramount P8+
Capacity	double persons
Chamber style	Assembled all-in-one cabin
Chamber size(external)	2012mm(Diameter)* 1600mm(Width)* 1700mm (Height)
Chamber size(internal)	1900mm(Diameter)* 1520mm(Width)* 1580mm (Height)
Cabin Material	Aluminum alloy + interior soft decoration
Door size	64*114CM
Door Material	40mm PC material
Window size	35cm diameter
Cabin configuration	As the list below
Diffuse oxygen concentration	<35%
Working pressure in the cabin	Continuous pressure: 200Kpa(2.0ATA) Max pressure:250Kpa(2.5ATA) Pressure adjustable
Working noise	<30db
Temperature in the cabin	Ambient temperature +3°C (without air conditioner)
Safety Facilities	Manual safety valve, automatic safety valve
Floor area	1.95 m ²
Cabin weight	380kg
Floor pressure	195kg/m ²

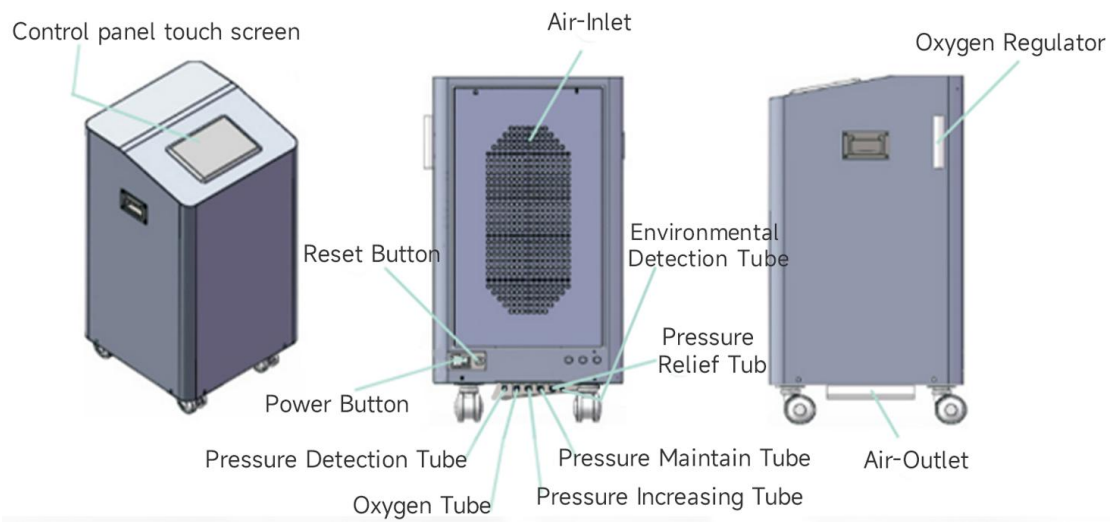


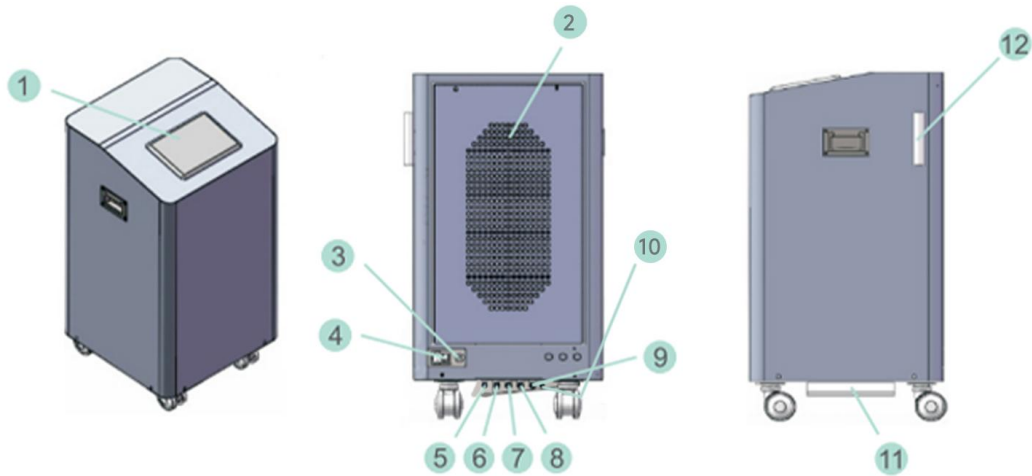



About Oxygen Supply System:

Model	uMR 08+
Size	H902*L520*W590mm
Control System	Touch screen control(10 inch)
UI Logo	Customization support
Power Supply	AC 100V-240V 50/60Hz
Power	1100W
Oxygen Pipe Diameter	8 mm
Air Pipe Diameter	12 mm
Oxygen flow	15L/min
Max airflow	120 L/min
Max Outlet pressure	200KPA(2.0ATA) Pressure adjustable
Oxygen Purity	96%±3%(when the chamber is in a fully sealed)


Appearance:






- | | | |
|------------------------------|----------------------------|---------------------------------|
| 1 Control panel touch screen | 5 Pressure Detection Tube | 9 Pressure Relief Tube |
| 2 Air-Inlet | 6 Oxygen Tube | 10 Environmental Detection Tube |
| 3 Reset Button | 7 Pressure Increasing Tube | 11 Air-Outlet |
| 4 Power Button | 8 Pressure Maintain Tube | 12 Oxygen Regulator |

UI:



Intelligent Hyperbaric Oxygen Supply System

Mode	Fast Pressurization	In-Chamber Data	Realtime Pressure	Kpa	
	Standard Pressurization		Diffuse oxygen concentration	%	
	Pure Oxygen		Temperature	°C	
	Pressure Reduction		Humidity	%	
Pressure Setting	- <input type="text" value=""/> Kpa <input type="text" value=""/> +	Oxygen Concentration	%	Oxygen Flow	L/min
Timing	- <input type="text" value=""/> min <input type="text" value=""/> +	Count Down		min	
ON / OFF 					

UI Display

Multi-language UI and Support Language Customization



In-chamber control panel:



Configuration List:

Index	Specification	Unit	QTY
Cabin Style Chamber	2012mm(Diameter)* 1600mm(Width)* 1700mm (Height)	set	1
Oxygen Supply System	Model: uMR 08+	set	1
In-cabin controller (touch screen version)	Standard: pressure adjustment, integrated pressure, oxygen concentration, temperature And can be customize	set	1
Communication System	Internal and external, Dual wireless, Chargeable	set	1
Oxygen Terminal Connector	Medical grade self-locking (national standard)	set	1
Humidification Bottle	Medical grade with regulating valve (national standard)	set	1
Automatic Safety Relief Valve	14.5Psi/Customize	set	2
Emergency Relief Valve	customize	set	1
Interior Decoration	Bamboo wood fiber, PU leather	set	1
Carpet	Customize /Middle fleece/Light color	set	1
Illumination	LED (light color optional) warm white/bright white/ice blue	set	1
Sofa	Sofa (non-adjustable/PU leather/compact)	set	1
In-cabin Power Supply System(Optional)	12/24V(double voltage) 600W	set	1
Air conditioner for oxygen chamber(Optional)	Water-cool air conditioner /500W	set	1
Massage Chair(Optional)	24V / 120W	set	1
DC TV(Optional)	24V / 100W	set	1



DR.HUGO

Your Oxygen Therapy Expert

POWER BY:



LANNX Bio&Med Co.,Ltd

Website: www.lannx.net/hbot/

E-Mail: sale@lannx.net

-Search our channel in YouTube to view operation video:

<https://www.youtube.com/@oxygenchamber>