

# Hyperbaric Oxygen Chamber

(Capsule Style)

Model: TimeCapsule C900



## About Hyperbaric Oxygen Therapy (HBOT):

Hyperbaric oxygen therapy (HBOT) is well known for treating scuba and deep-sea divers affected by the rapid change in pressure around them. But did you know that HBOT is also used to treat a variety of other health problems, including carbon monoxide poisoning and diabetic foot ulcers.

Hyperbaric oxygen therapy treats chronic wounds and other medical conditions. Room air contains 21% oxygen, while hyperbaric oxygen therapy provides you with air that contains 100% oxygen. A pressurized chamber delivers oxygen that's two to three times higher than normal air pressure, which helps your lungs gather and absorb more oxygen. Oxygen helps the tissues in your body heal and withstand infections.

Healthcare providers use hyperbaric oxygen therapy alone or with other medical treatments, such as medications or surgery. Most people receive hyperbaric oxygen therapy on an outpatient basis for one to two hours each session. Depending on the type of treatment, you may sit or lie down during the procedure.

Other names for hyperbaric oxygen therapy include HBO therapy or HBOT

## Features:

1. Chamber body Made by 304 stainless steel:
  - Strong weight bearing capacity, up to 500kg;
  - Durable and wear-resistant.
  - non-deformable and long lifespan.
2. With environmental spray paint, Support for color customization.
3. Intelligent oxygen supply system:
  - display parameters(temperature, humidity, oxygen purity and pressure) in real time;
  - adjust the chamber pressure in real time and display it through a curve;
  - with timing functions and maintenance information prompts
  - Interphone system for two-way communication



- Automatic air pressure control system, the door is sealed by pressure.

4. Double operation system:

- Inside and outside control panels, easy to operate.

- Automatic digital display real-time parameters

- Rotary timer system, use of time can be preset in advance

5. Big windows in front of chamber, Good line of sight and easy to observe the situation inside. The interior space is spacious without feeling oppressive, suitable for claustrophobic users.

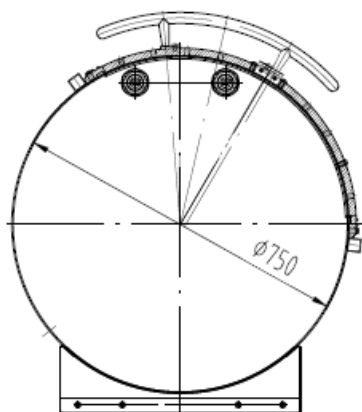
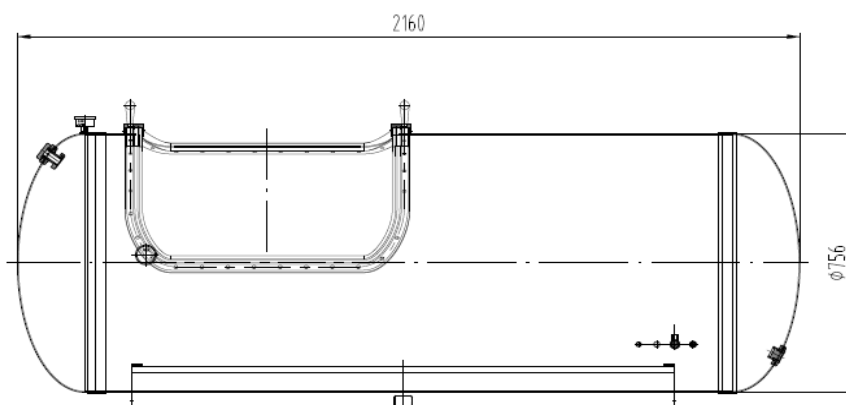
6. Security measures: With Manual safety valve and automatic safety valve,

7. ODM & OEM: Customize color for different request.

## Specification:

### About chamber:

| Index                           | Content   |
|---------------------------------|---|
| Model Name                      | uDR C900  |
| Control System                  | In-cabin touch screen UI(support multi-languge)                           |
| Chamber Material                | 304 stainless steel + interior soft decoration+ environmental spray paint |
| Color                           | White/Grey/Customize  |
| Door Material                   | Polycarbonate(PC)   |
| Chamber size                    | Φ900*2160cm   |
| Chamber configuration           | As the list below   |
| Diffuse oxygen concentration    | ≤30%  |
| Working pressure in the chamber | 100-150KPa adjustable   |
| Working noise                   | <30db   |
| Temperature in the chamber      | Ambient temperature +3°C (without air conditioner)                        |
| Safety Facilities               | Manual safety valve, automatic safety valve                               |



#### About Oxygen Supply System:

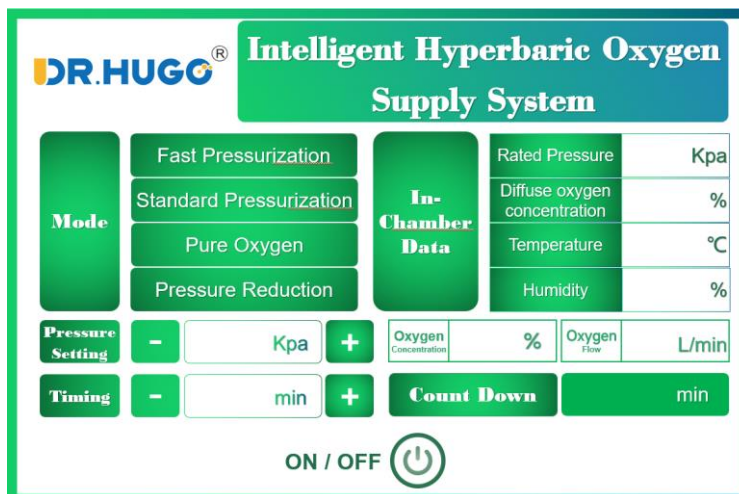
|                             |   |
|-----------------------------|---|
| <b>Model</b>                | uMR 08                                      |
| <b>Size</b>                 | H902.7*L520*W590mm                          |
| <b>Control System</b>       | Touch screen control(10 inch)+control panel |
| <b>Power Supply</b>         | AC 100V-240V 50/60Hz                        |
| <b>Power</b>                | 750W  |
| <b>Oxygen Pipe Diameter</b> | 8 mm  |
| <b>Air Pipe Diameter</b>    | 12 mm                                       |
| <b>Oxygen flow</b>          | 15L/min                                     |
| <b>Max airflow</b>          | 120 L/min                                   |
| <b>Max Outlet pressure</b>  | 200KPA(2ATA)                                |
| <b>Oxygen Purity</b>        | 96%±3%                                      |
| <b>Oxygen system</b>        | air filter (PSA)                            |
| <b>Compressor</b>           | Oil-free compressor air delivery system     |
| <b>Noise</b>                | ≤45db                                       |



Appearance:



UI:



Real-time pressure display:



## In-chamber control panel:



### Configuration List:

| Index   | Specification   | Unit | QTY |
|---|---|------|-----|
| Capsule Style Chamber                           | Φ900*2160cm   | set  | 1   |
| Oxygen Supply System                            | Model: uMR O8   | set  | 1   |
| In-chamber controller<br>(touch screen version) | Standard: integrated pressure, oxygen concentration, temperature, Humidity and can be customize | set  | 1   |
| Communication System                            | Internal and external, Dual wireless, Chargeable  | set  | 1   |
| Oxygen Terminal Connector                       | Medical grade self-locking (national standard)  | set  | 1   |
| Humidification Bottle                           | Medical grade with regulating valve (national standard)   | set  | 1   |
| Automatic Safety Relief Valve                   | 3.5Psi/4.5Psi/Customize   | set  | 2   |
| Emergency Relief Valve                          | customize   | set  | 1   |
| Interior Decoration                             | Bamboo wood fiber, PU leather   | set  | 1   |
| In-cabin Power Supply System                    | Optional: 12/24V(double voltage) 600W   | set  | 1   |
| Air conditioner for oxygen chamber              | Optional : Water-cool air conditioner /500W   | set  | 1   |



**DR.HUGO**

***Your Oxygen Therapy Expert***

POWER BY:



LANNX Bio&Med Co.,Ltd

Website: [www.lannx.net/hbot/](http://www.lannx.net/hbot/)

E-Mail: [sale@lannx.net](mailto:sale@lannx.net)

-Search our channel in YouTube to view operation video:

<https://www.youtube.com/@oxygensupplycenter>