



Colku RV Refrigerator



Colku Electrical Appliance Ltd.

Tel:
+86 757 87363068

WeChat:
+86 18028121075

Email:
info@colku.com

WhatsApp:
+852 95188163

Fax:
+86 757 87363067

Web:
www.colku.com

Add: No.84 Area B, Leping Industry Park, Sanshui Dist,
Foshan City, Guangdong Province, China 528137.

RFENV20251013

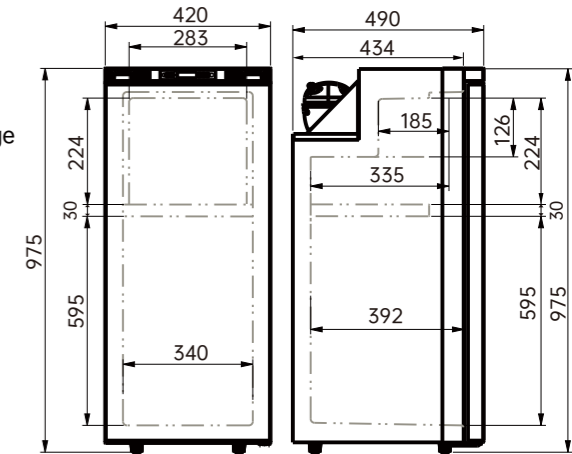
Cool Pleasure Anywhere





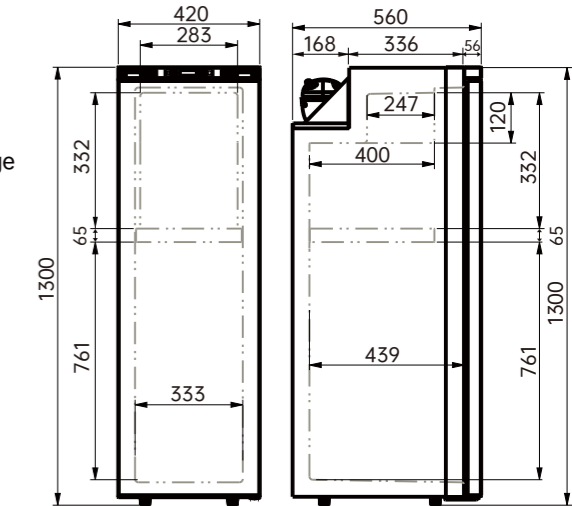
Model No.DCS90DA

Capacity 16L Freezer,74L Fridge
 Temperature range -18°C~-5°C Freezer, 0°C~10°C Fridge
 Input voltage DC 12V/24V
 Input power DC 70W
 Isolation C-pentane
 Refrigerant R134a/R600a
 Produce size L490mm*W420mm*H975mm
 Package size L555mm*W485mm*H1025mm
 Weight 22.3kg/net,26.6kg/gross
 Loading QTY 80PCS/20GP,192PCS/40GP,
 192PCS/40HQ



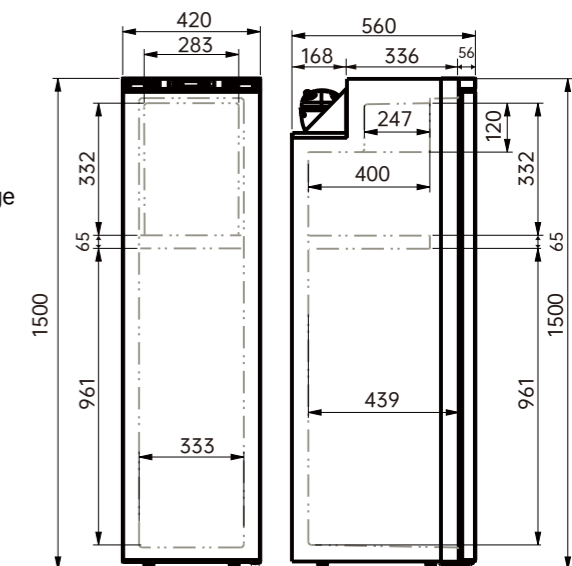
Model No.DCS130DA

Capacity 33L Freezer, 99L Fridge
 Temperature range -18°C~-5°C Freezer, 0°C~10°C Fridge
 Input voltage DC 12V/24V
 Input power DC 75W
 Isolation C-pentane
 Refrigerant R134a/R600a
 Produce size L560mm*W420mm*H1300mm
 Package size L625mm*W485mm*H1345mm
 Weight 35.6kg/net,41kg/gross
 Loading QTY 36PCS/20GP,72PCS/40GP,
 72PCS/40HQ



Model No.DCS150DA

Capacity 33L Freezer, 123L Fridge
 Temperature range -18°C~-5°C Freezer, 0°C~10°C Fridge
 Input voltage DC 12V/24V
 Input power DC 75W
 Isolation C-pentane
 Refrigerant R134a/R600a
 Produce size L560mm*W420mm*H1500mm
 Package size L625mm*W475mm*H1545mm
 Weight 39.3kg/net,45.3kg/gross
 Loading QTY 36PCS/20GP,72PCS/40GP,
 72PCS/40HQ



Adjustable Shelves



Removable Freezer
Compartment

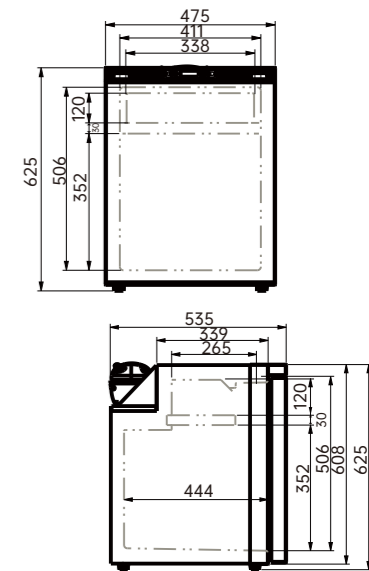


Fridge/Freezer
Indep. Temp Control



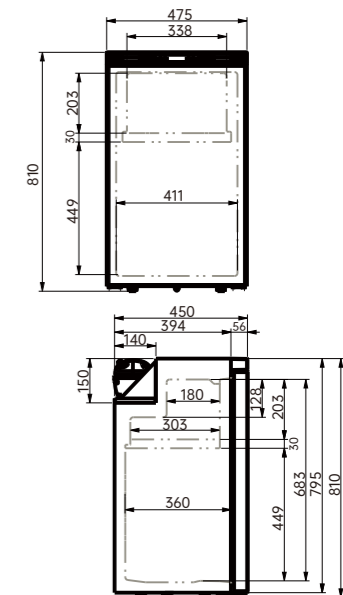
Model No.DCR75DA

Capacity	10L Freezer, 62L Fridge
Temperature range	-18°C~-5°C Freezer, 0°C~10°C Fridge
Input voltage	DC 12V/24V
Input power	DC 75W
Isolation	C-pentane
Refrigerant	R134a/R600a
Produce size	L535mm*W475mm*H625mm
Package size	L600mm*W540mm*H670mm
Weight	19.2kg/net,23.1kg/gross
Loading QTY	108PCS/20GP,228PCS/40GP, 228PCS/40HQ



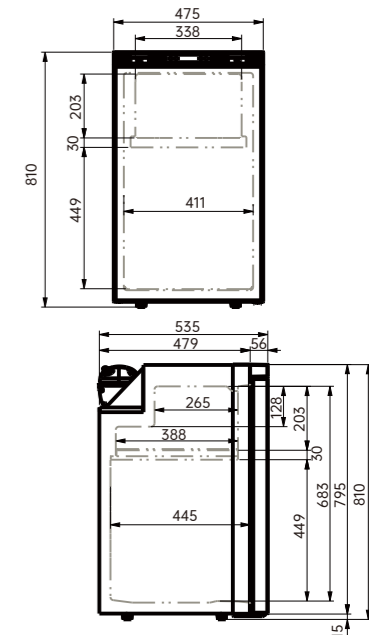
Model No.DCR80DA

Capacity	15L Freezer, 65L Fridge
Temperature range	-18°C~-5°C Freezer, 0°C~10°C Fridge
Input voltage	DC 12V/24V
Input power	DC 75W
Isolation	C-pentane
Refrigerant	R134a/R600a
Produce size	L450mm*W475mm*H810mm
Package size	L515mm*W540mm*H855mm
Weight	24.4kg/net,27.9kg/gross
Loading QTY	88PCS/20GP,168PCS/40GP, 252PCS/40HQ



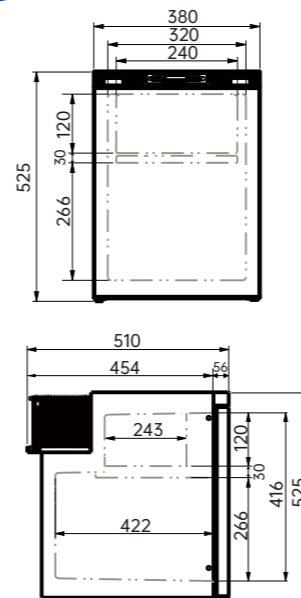
Model No.DCR105DA

Capacity	22L Freezer, 82L Fridge
Temperature range	-18°C~-5°C Freezer, 0°C~10°C Fridge
Input voltage	DC 12V/24V
Input power	DC 70W
Isolation	C-pentane
Refrigerant	R134a/R600a
Produce size	L535mm*W475mm*H810mm
Package size	L600mm*W540mm*H855mm
Weight	23.4kg/net,27.4kg/gross
Loading QTY	72PCS/20GP,152PCS/40GP, 228PCS/40HQ



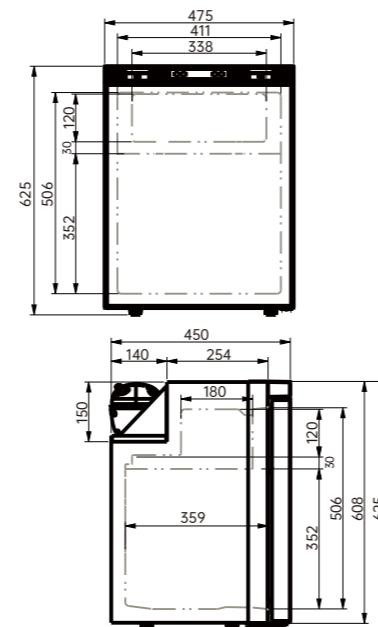
Model No.DCR50DA

Capacity	6.6L Freezer, 36L Fridge
Temperature range	-18°C~-5°C Freezer, 0°C~10°C Fridge
Input voltage	DC 12V/24V
Input power	DC 65W
Isolation	C-pentane
Refrigerant	R134a/R600a
Produce size	L510mm*W380mm*H525mm
Package size	L575mm*W445mm*H570mm
Weight	13.7kg/net,16.4kg/gross
Loading QTY	208PCS/20GP,416PCS/40GP, 416PCS/40HQ



Model No.DCR60DA

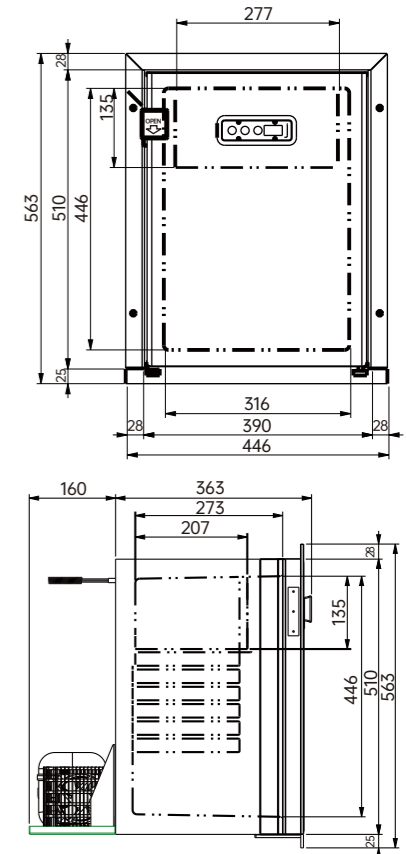
Capacity	7L Freezer, 50L Fridge
Temperature range	-18°C~-5°C Freezer, 0°C~10°C Fridge
Input voltage	DC 12V/24V
Input power	DC 75W
Isolation	C-pentane
Refrigerant	R134a/R600a
Produce size	L450mm*W475mm*H625mm
Package size	L515mm*W540mm*H670mm
Weight	20.7kg/net,23.6kg/gross
Loading QTY	132PCS/20GP,252PCS/40GP, 252PCS/40HQ





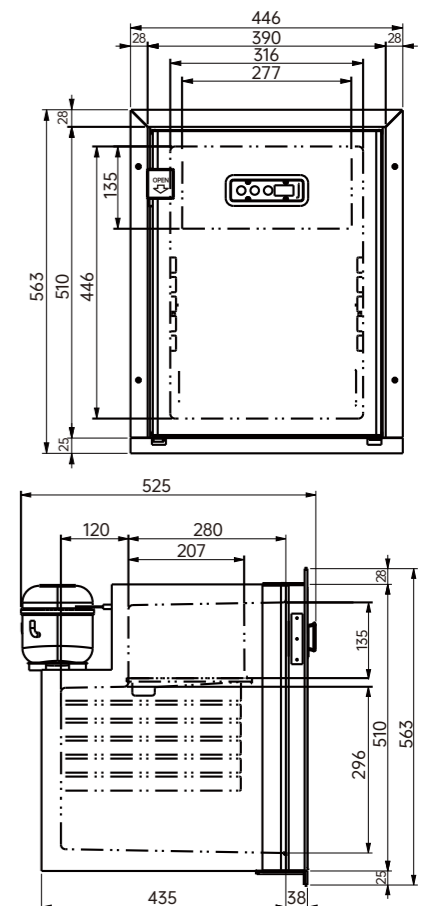
Model No.DC-40

Capacity	4L Freezer,32L Fridge
Temperature range	-12°C Freezer, 0°C~10°C Fridge
Input voltage	DC 12V/24V
Input power	DC 45W
Isolation	C-pentane
Refrigerant	R134a/R600a
Produce size	L523MM*W446mm*H563mm (with mounting frame)
Produce size	L523MM*W381mm*H523mm (without mounting frame)
Package size	L595mm*W520mm*H630mm
Weight	15kg/net,18kg/gross
Loading QTY	126PCS/20GP, 255PCS/40GP, 340PCS/40HQ



Model No.DC-50

Capacity	4L Freezer,43L Fridge
Temperature range	-12°C Freezer, 0°C~10°C Fridge
Input voltage	DC 12V/24V
Input power	DC 45W
Isolation	C-pentane
Refrigerant	R134a/R600a
Produce size	L525MM*W446mm*H563mm (with mounting frame)
Produce size	L525*W381mm*H523mm (without mounting frame)
Package size	L595mm*W520mm*H630mm
Weight	16kg/net,19kg/gross
Loading QTY	126PCS/20GP,255PCS/40GP, 340PCS/40HQ



LED Control Panel



Safety Latch

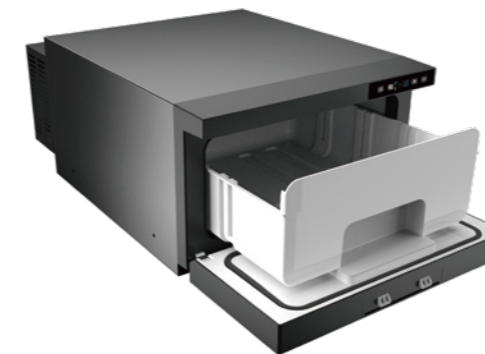
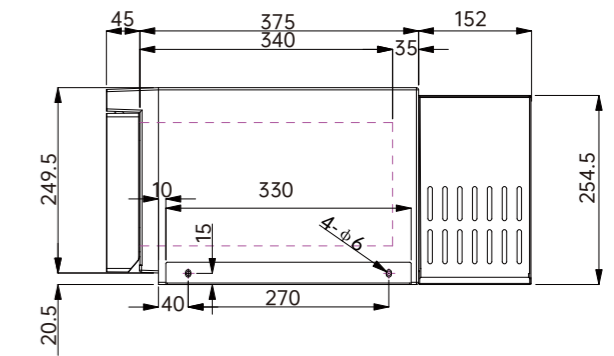
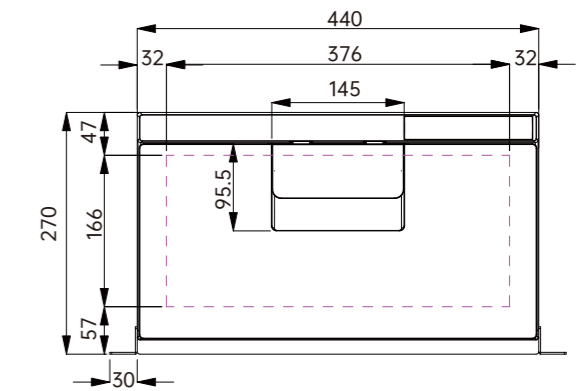


Built in Freezer



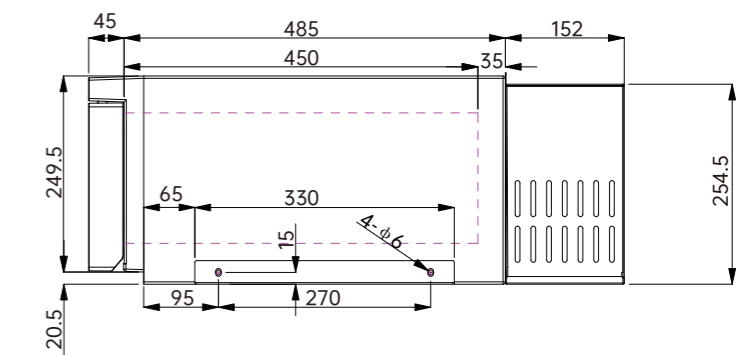
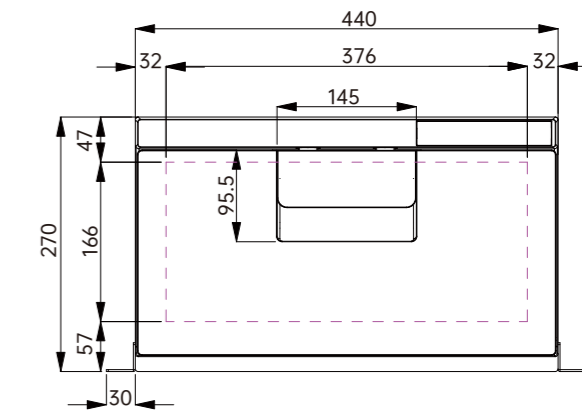
Model No. DC21DRG

Capacity	21L
Temperature range	-18°C~10°C
Input voltage	DC 12V/24V
Input power	DC 55W
Isolation	C-pentane
Refrigerant	R134a/R600a
Produce size	L572mm*W440mm*H270mm
Package size	L625mm*W495mm*H325mm
Weight	13kg/net,18kg/gross
Loading QTY	280PCS/20GP, 588PCS/40GP,672PCS/40HQ



Model No. DC28DRG

Capacity	28L
Temperature range	-18°C~10°C
Input voltage	DC 12V/24V
Input power	DC 55W
Isolation	C-pentane
Refrigerant	R134a/R600a
Produce size	L682mm*W440mm*H270mm
Package size	L735mm*W495mm*H325mm
Weight	13.5kg/net,18.5kg/gross
Loading QTY	231PCS/20GP,497PCS/40GP, 568PCS/40HQ



Reliable Door Latch



LED Control Panel

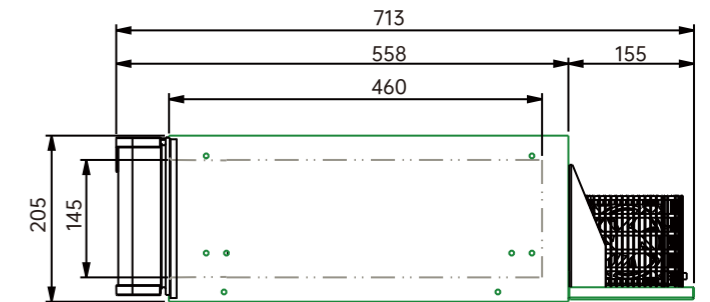
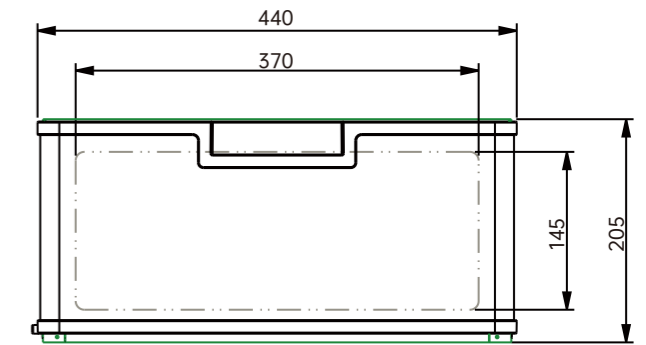


Removable Drawer



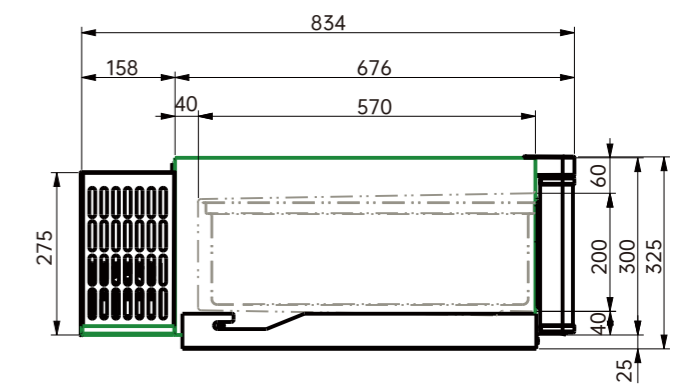
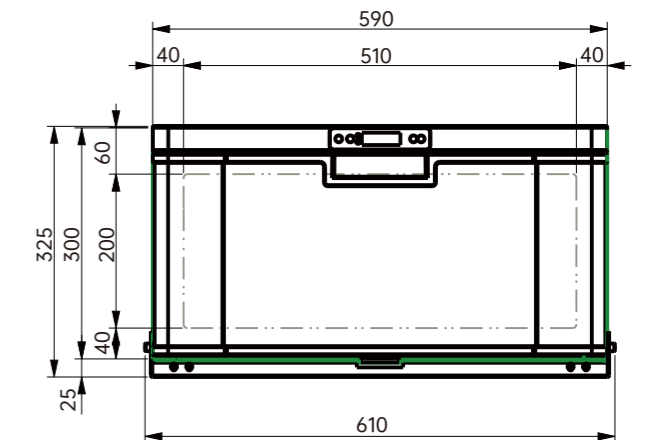
Model No.DC-23DR

Capacity	23L
Temperature range	-10°C~10°C
Input voltage	DC 12V/24V
Input power	DC 40W
Isolation	C-pentane
Refrigerant	R134a/R600a
Produce size	L715MM*W440mm*H215mm
Package size	L770MM*W515mm*H280mm
Weight	16kg/net,21kg/gross
Loading QTY	256PCS/20GP,552PCS/40GP, 612PCS/40HQ

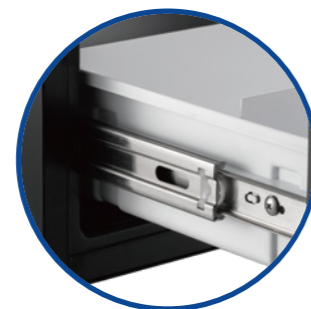


Model No.DC-40DR

Capacity	40L
Temperature range	-18°C~10°C
Input voltage	DC 12V/24V
Input power	DC 40W
Isolation	C-pentane
Refrigerant	R134a/R600a
Produce size	L836MM*W590mm*H300mm
Package size	L890MM*W665mm*H390mm
Weight	29kg/net,36kg/gross
Loading QTY	120PCS/20GP,246PCS/40GP, 308PCS/40HQ



Removable Compressor



Stainless Steel Slide



Adjustable Dividers