



**特点**

超小型体积，大电流设计  
 快速动作，灵敏性高  
 多种接线端子及杠杆满足不同需求  
 一体式结构适用于线路板焊接  
 广泛应用于家用电器，电子设备，办公设备等领域。

**Features:**

Supper mini size, high current design  
 Fast action, high sensitive  
 Various terminal types and operating lever types for choice  
 Injection molded terminals suit for PCB soldering  
 Widely used in home appliances, electronic devices, office equipment etc.

**产品特性Characteristics**

|                                     |   |                              |
|-------------------------------------|---|------------------------------|
| 额定参数Rating                          | 0.1A/1A/3A 125VAC/250VAC; 0.1A /1A/3A 30VDC                               |                              |
| 初始最接触电阻Initial contact resistance   | 100mΩ 最大Max.  |                              |
| 初始绝缘电阻Initial insulation resistance | 100 MΩ min. 最小 (At 500V DC)   |                              |
| 耐压<br>Dielectric strength           | 同极端子之间<br>Between non-consecutive terminals                               | AC600V , 50/60Hz ,1 min      |
|                                     | 无负载金属零件与端子间<br>Between non-current carrying metal parts and each terminal | 1,500VAC, 50/60Hz ,1 min     |
|                                     | Between ground and each terminal<br>端子与地之间                                | 1,500VAC, 50/60Hz ,1 min     |
| 耐冲击<br>Shock resistance             | 耐久Destruction   | 1,000m/s <sup>2</sup> 最大Max. |
|                                     | 误动作Malfunction  | 300m/s <sup>2</sup> 最大Max.   |
| 抗振性Vibration resistance             | 10-55Hz , 1.5mm 双振幅double amplitude                                       |                              |
| 使用寿命<br>Operating life              | 机械寿命Mechanical life   | 1,000,000 次最小operations min. |
|                                     | 电气寿命Electrical life   | 50,000 次最小operations min.    |
| 环境温度Ambient temperature             | -40 -85°C   |                              |
| 环境湿度Ambient humidity                | 85%RH 最大Max (+5~+35°C)  |                              |
| 动作频率<br>Operating frequency         | 机械Mechanical  | 120次/分 times/min             |
|                                     | 电气Electrical  | 10-30次/分 times/min           |
| 动作速度Operating speed                 | 1mm~500mm/s (取决于杠杆类别)   |                              |
| 保护等级Protection degree               | IP40  |                              |
| 尺寸Dimensions                        | 12.7 x 6.5x5.8(mm)  |                              |
| 重量weight                            | 0.5g 无杠杆型 Without lever   |                              |

# KW10

1

2

3

4

5

系列代号  
Series code

| 杠杆种类<br>Lever type |                                       |
|--------------------|---------------------------------------|
| 0                  | 不带杠杆<br>Without lever                 |
| 1                  | 直行杠杆13mm<br>Straight lever 13mm       |
| 11                 | 短直行杠杆<br>Short straight lever         |
| 12                 | 折弯杠杆<br>Bending lever                 |
| 13                 | 头部折弯杠杆<br>Top Bending lever           |
| 2                  | 滚轮杠杆<br>Roller lever                  |
| 5                  | 圆弧杠杆<br>Top arc lever                 |
| 51                 | 短圆弧杠杆<br>Short top arc lever          |
| 52                 | 长圆弧杠杆<br>Long top arc lever           |
| 9                  | 直行加长杠30mm<br>Long straight lever 30mm |

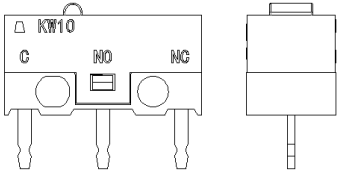
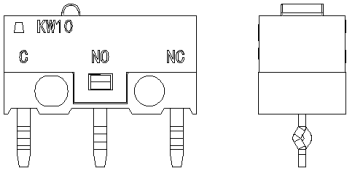
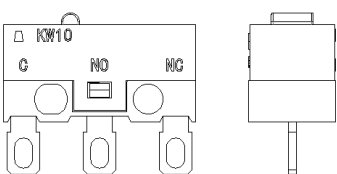
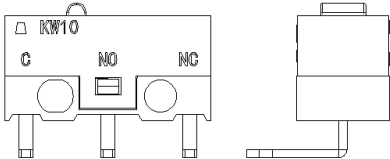
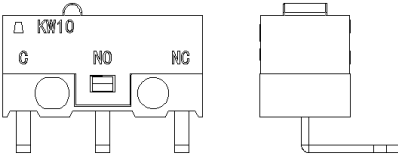
| 接线端子类型<br>Terminal type |                                      |
|-------------------------|--------------------------------------|
| P                       | 直行PCB端子<br>Straight PCB terminal     |
| Q                       | 自固定PCB端子<br>Self-fixing PCB terminal |
| S                       | 焊接端子<br>Solder terminal              |
| L                       | 左侧PCB端子<br>Left side PCB terminal    |
| R                       | 右侧PCB端子<br>Right side PCB terminal   |

| 接触方式<br>Contact form |                |
|----------------------|----------------|
|                      | SPDT<br>双投型    |
| B                    | SPDT-NO<br>常闭型 |
| C                    | SPDT-NC<br>常开型 |

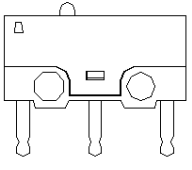
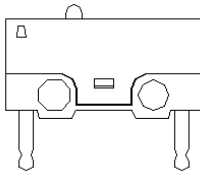
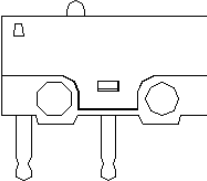
| 额定值<br>Rating |  |
|---------------|--|
| A             | 0.1A 125/250VAC 0.1A<br>30VDC 5E4, 40T85 |
| B             | 1A 125/250VAC 1A<br>30VDC                |
| C             | 3A 125/250VAC 3A<br>30VDC                |

| 动作力<br>Operating force |       |
|------------------------|-------|
| 1                      | 90gf  |
| 2                      | 150gf |

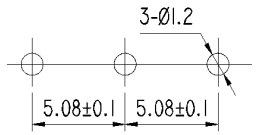
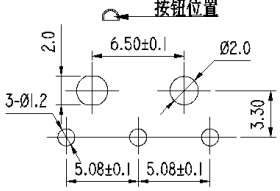
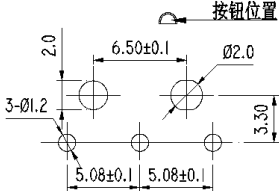
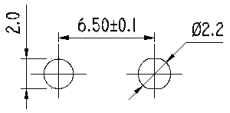
## 接线端子类型Terminal Type

| P   | Q   | S   |
|---|---|---|
| 直行PCB端子<br>Straight PCB terminal  | 自固定PCB端子<br>Self-fixing PCB terminal  | 焊接端子<br>Solder terminal   |
|  |  |  |
| L   | R   |   |
| 左侧PCB端子<br>Left side PCB terminal   | 右侧PCB端子<br>Right side PCB terminal  |   |
|  |  |   |

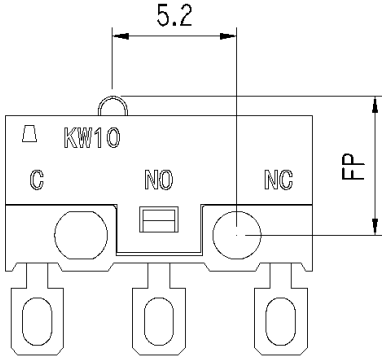
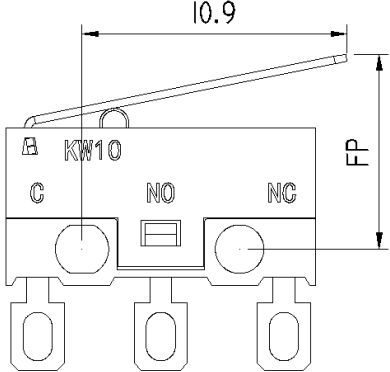
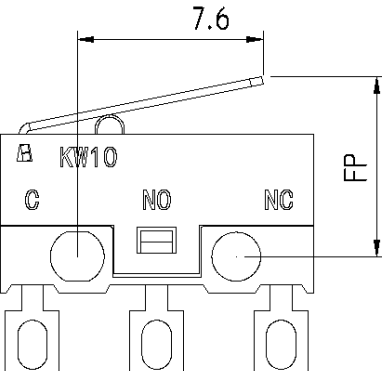
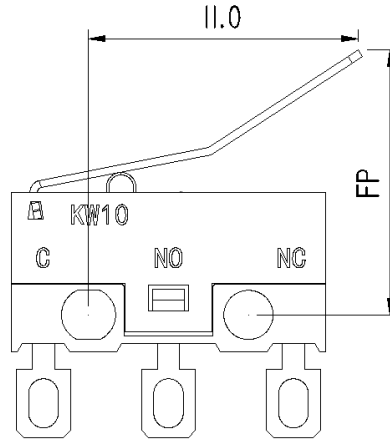
## 接触方式 Contact Form

|   |   |   |
|---|---|---|
| 无表示None   | B   | C   |
| 双投型SPDT   | 常闭型SPDT-NO  | 常开型SPDT-NC  |
|  |  |  |

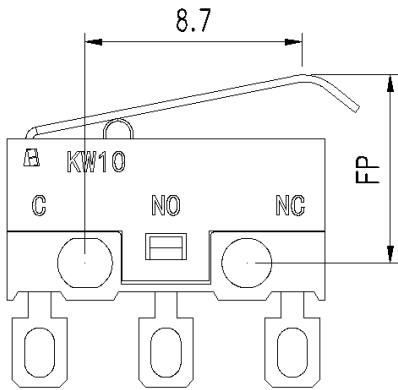
## 安装孔尺寸 Mounting Holes Dimensions

| 直行PCB端子安装孔<br>Straight PCB mounting holes   | 左侧PCB端子安装孔<br>Left side PCB mounting holes  | 右侧PCB端子安装孔<br>Right side PCB mounting holes  | 安装孔安装尺寸<br>Mounting holes   |
|---|---|--|---|
|  |  |  |  |

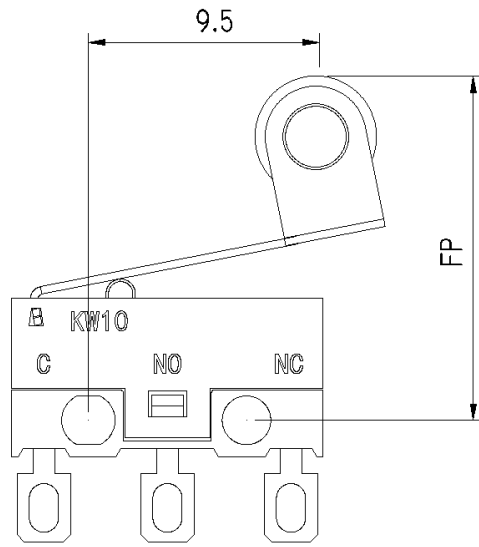
## 杠杆种类 Lever types

|   |  |
|---|--|
| 0<br>  | 1<br>  |
| 11<br> | 12<br> |

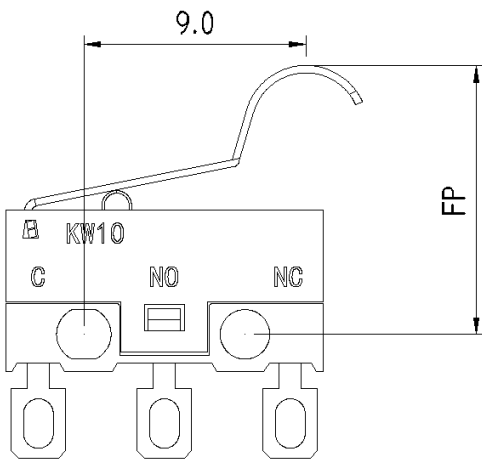
13



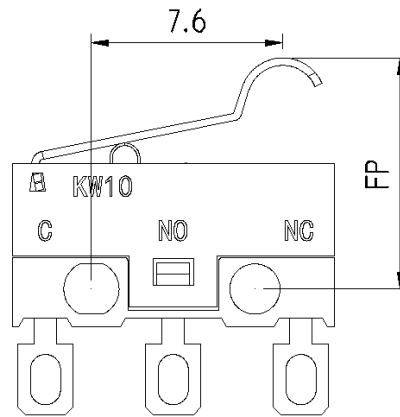
2



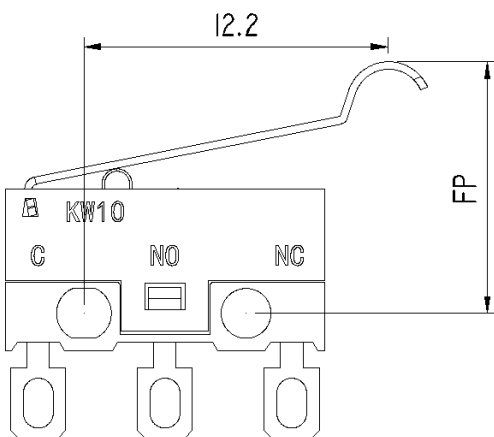
5



51



52



9

