



## TECHNICAL SPECIFICATION

### DRUK-45 UNDERGROUND TRUCK



The **DRUK-45** is a compact underground mining truck with a payload capacity of **45 tons**. Its newly designed structure not only enhances production efficiency but also improves the safety, maintainability, and operational comfort of underground transportation, mining, and construction operations. The heavy-duty front and rear frames are specifically engineered to withstand harsh underground conditions. With excellent quality, reliability, and durability that meet user requirements, the DRUK-20 makes transportation simpler, more effective, and more efficient.

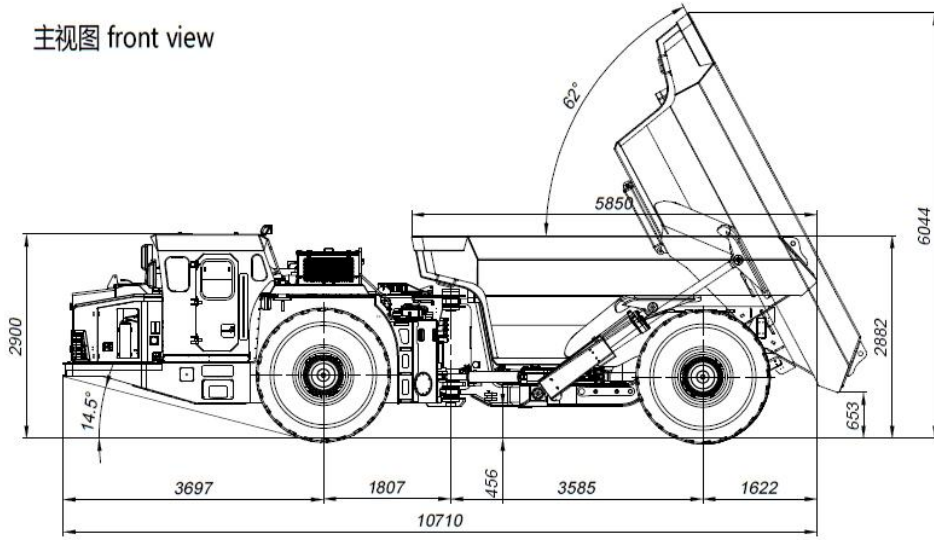
#### Main Technical Parameters of the Complete Machine

No.	Parameter Description	Value
1	Rated Bucket Capacity (m <sup>3</sup> )	22
2	Rated Payload (kg)	45,000

3	Operating Weight, Empty (kg)		37,500
4	Overall Dimensions (L × W × H) (mm)		10700×3000×2906
5	Loading Height (mm)		2,882
6	Body Lift Height (mm)		6,044
7	Body Dump Angle (° )		62
8	Body Lift Time (s)		13
9	Maximum Traction Force (kN)		495
10	Ground Clearance (mm)		456
11	Approach Angle (° )		14.5
12	Oscillation Angle (° )		±8
13	Gradability (° )		≥14
14	Minimum Turning Radius (mm)		Inside wheel:5055 Outside wheel:9120
15	Travel Speed(km/h)	1gear	5.9
		2gear	11.9
		3gear	21.1
		4gear	11.7
		5gear	15.6
		6gear	20.8
		7gear	28.2
		8gear	37.1

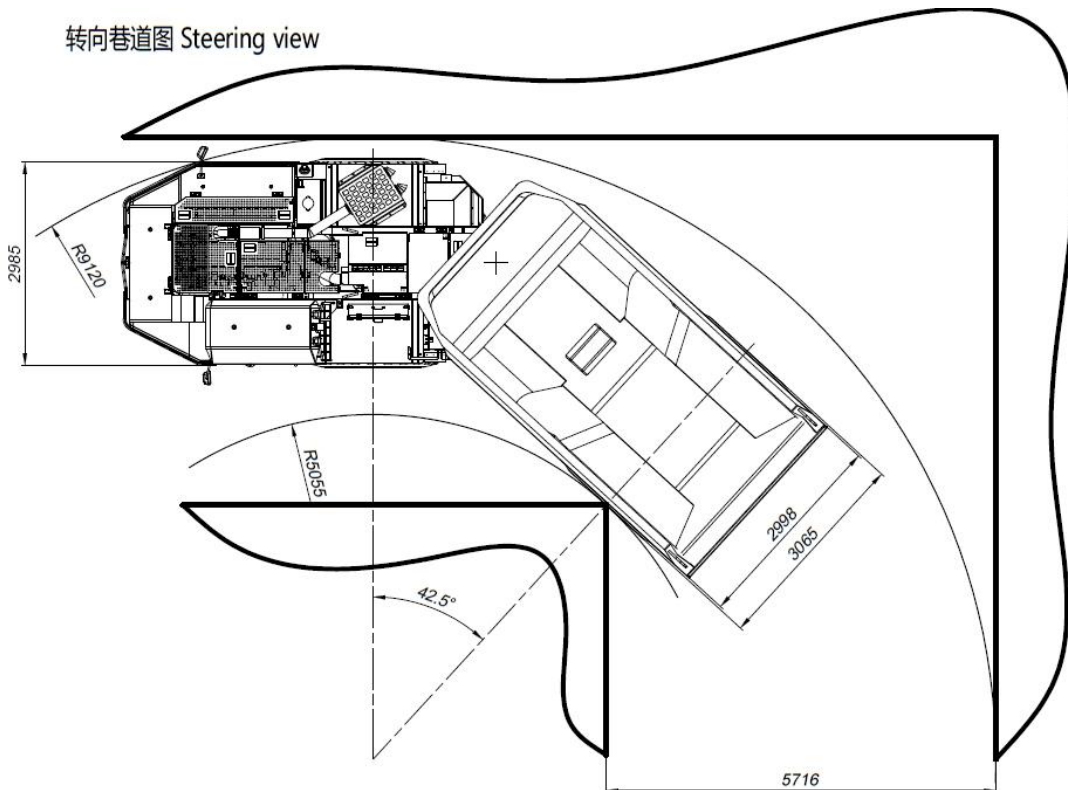
Front View

主视图 front view



Steering View

转向巷道图 Steering view



## Main Benefits

**Productivity-** The DRUK- 45 is equipped with a reliable and powerful Volvo diesel engine, delivering an outstanding power- to- weight ratio.The heavy- duty front and rear frames are specifically designed to withstand harsh underground conditions, offering excellent quality, reliability, and durability that meet user requirements.The entire vehicle frame is constructed from high- performance structural steel Q460C, ensuring robustness and durability; the body is made of NM450 wear- resistant plate for extended service life.With an all- new design and premium configuration, the product’s operational efficiency is comprehensively enhanced, resulting in improved ore- hauling productivity.



**Safety-**The UK45 is equipped with an intelligent monitoring and protection system, including oil- level protection, engine protection, and axle brake protection. The cab is certified with **ROPS/FOPS** to protect the operator's safety. It is equipped with laminated glass windows on all four sides and features a four- channel sealing strip design, allowing the glass to be removed from both inside and outside for emergency escape in hazardous situations.

Engine	
Brand/Model	Volvo TAD853VE
Rated Power	450kw
Cooling Method	Water Cooling
Emission Standed	EU3

Fuel	Litres
Fuel Tank	620
Working Hydraulic Oil Tank	280
Travel Hydraulic Oil Tank	80

<b>Hydraulic System</b>	<b>Brand</b>	
Working Pump(Gear Pump)	ParKer	√
Steering Pump(Gear Pump)	ParKer	√
Multi - way Control Valve	ParKer	√
Steering Control Valve	Danfoss	√
Make - up Valve / Replenishing Valve	ParKer	√
Pedal Valve	Mico	√

<b>Electric system</b>	
Working Voltage,24V	√
7-inch Color Display Screen	√
Real-time Monitoring of Operating Status of Main System Components	√
CAN Bus Communication	√

<b>Transmission</b>		
Torque Converter	DANA CL5000	√
Gearbox / Transmission	DANA R36000	√
Drive Axle	KesslerD81/DA NA17D	√
Tyre / Tire	18.00 R25	√

<b>Main frame</b>			
Automatic	Centralized	Lubrication	√
System			
Handheld fire extinguisher			√
Backup Camera System			√
Articulation Locking Device			√
Wheel Block			√
Retarder Auxiliary Brake			√

<b>Control system</b>	
Engine Data Display	√
Visual Back- up Alarm	√
Visual Dump Alarm	√
Steering Wheel Control	√
Single- lever Dump and Lift Control	√
Torque Converter Lock- up Control	√

<b>Operator's Compartment</b>	
Canopy(ISO ROPS and FOPS approved)	√
Fully Enclosed Cab with Heating and Air Conditioning	√
LED Front and Rear Lighting	√
Two - Point Seat Belt	√
Three - Point Contact Quick Access to Cab	√
Grammer Mechanical Suspension Seat	√
Laminated Tempered Glass	√
Steering Wheel Control	√
Door Interlock Protection	√

<b>Documentation</b>	
Parts manual	√
Operational manual	√
Maintenance and service manual	√

<b>Optional Configurations</b>
Automatic Fire Suppression System
Tire Pressure Monitoring System (TPMS)
Harmful Gas Monitoring
360° Surround View
Weighing System
Retarder Auxiliary Brake
Hydraulic Oil Electric Heating System
Coolant Auxiliary Heating System