



TECHNICAL SPECIFICATION

DRUK-20(B) UNDERGROUND TRUCK



The **DRUK-20(B)** is a compact underground mining truck with a payload capacity of **20 tons**. Its newly designed structure not only enhances production efficiency but also improves the safety, maintainability, and operational comfort of underground transportation, mining, and construction operations. The heavy-duty front and rear frames are specifically engineered to withstand harsh underground conditions. With excellent quality, reliability, and durability that meet user requirements, the DRUK-20 makes transportation simpler, more effective, and more efficient.

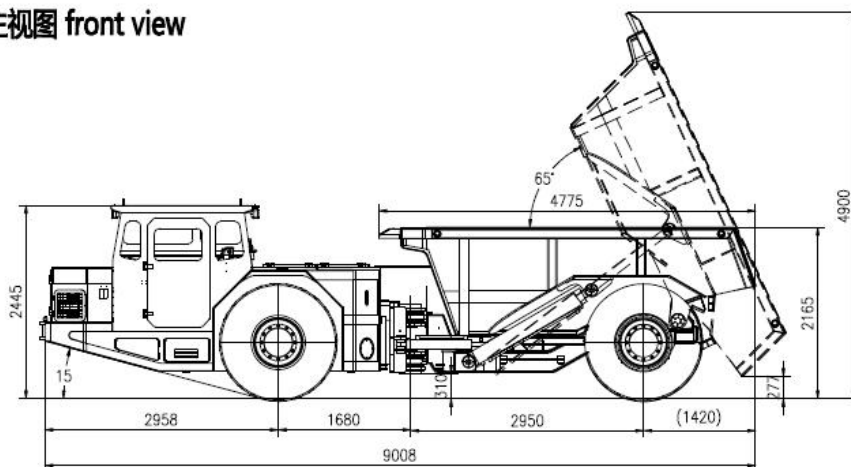
Main Technical Parameters of the Complete Machine

No.	Parameter Description	Value
1	Rated Bucket Capacity (m ³)	10
2	Rated Payload (kg)	20,000

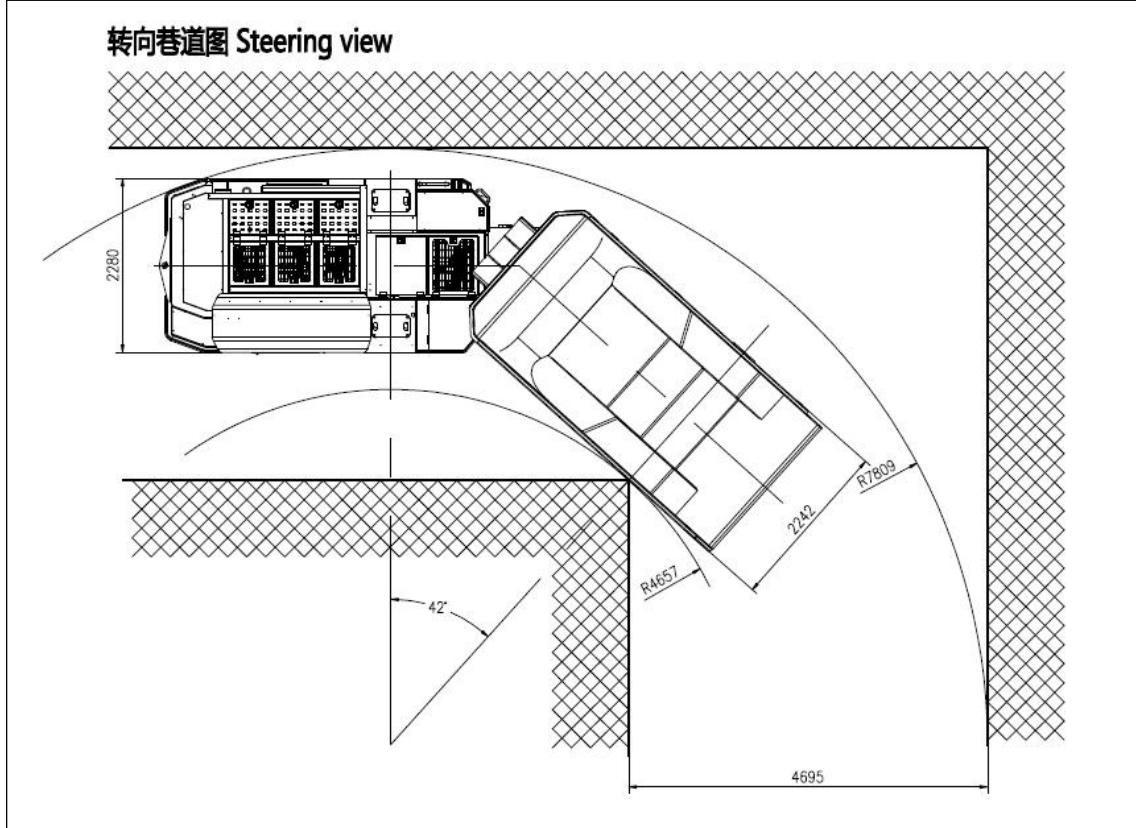
3	Operating Weight, Empty (kg)	22,500	
4	Overall Dimensions (L × W × H) (mm)	9098×2212×2447	
5	Loading Height (mm)	2,309	
6	Body Lift Height (mm)	4,597	
7	Body Dump Angle (°)	65	
8	Body Lift Time (s)	14	
9	Maximum Traction Force (kN)	255	
10	Ground Clearance (mm)	345	
11	Approach Angle (°)	15	
12	Oscillation Angle (°)	±8	
13	Gradability (°)	≥14	
14	Minimum Turning Radius (mm)	Inside wheel:4054 Outside wheel:7412	
15	Travel Speed(km/h)	1gear	5.9
		2gear	11.9
		3gear	21.1
		4gear	34.8

Front View

主视图 front view



Steering View



Main Benefits

Productivity- The DRUK- 20(B) is equipped with a reliable and powerful Volvo diesel engine, delivering an outstanding power- to- weight ratio. The heavy- duty front and rear frames are specifically designed to withstand harsh underground conditions, offering excellent quality, reliability, and durability that meet user requirements. The entire vehicle frame is constructed from high- performance structural steel Q460C, ensuring robustness and durability; the body is made of NM450 wear- resistant plate for extended service life. With an all- new design and premium configuration, the product's operational efficiency is



comprehensively enhanced, resulting in improved ore- hauling productivity.

Safety-The UK20(B) is equipped with an intelligent monitoring and protection system, including oil- level protection, engine protection, and axle brake protection. The cab is certified with **ROPS/FOPS** to protect the operator's safety. It is equipped with laminated glass windows on all four sides and features a four- channel sealing strip design, allowing the glass to be removed from both inside and outside for emergency escape in hazardous situations.

Engine	
Brand/Model	Volvo TAD853VE
Rated Power	235kw
Cooling Method	Water Cooling
Emission Standed	EU3

Fuel	Litres
Fuel Tank	330
Working Hydraulic Oil Tank	310
Travel Hydraulic Oil Tank	25

Hydraulic System	Brand	
Working Pump(Gear Pump)	ParKer	√
Steering Pump(Gear Pump)	ParKer	√
Multi - way Control Valve	ParKer	√
Steering Control Valve	Danfoss	√
Make - up Valve / Replenishing Valve	Mico	√
Pedal Valve	Mico	√

Electric system	
Working Voltage,24V	√
7-inch Color Display Screen	√
Real-time Monitoring of Operating Status of Main System Components	√
CAN Bus Communication	√

Transmission		
Torque Converter	DANA CL5000	√
Gearbox / Transmission	DANA R36000	√
Drive Axle	KesslerD81/DA NA17D	√
Tyre / Tire	18.00 R25	√

Main frame	
Automatic Centralized Lubrication System	√
Handheld fire extinguisher	√
Backup Camera System	√
Articulation Locking Device	√
Wheel Block	√

Control system	
Engine Data Display	√
Visual Back- up Alarm	√
Visual Dump Alarm	√
Steering Wheel Control	√
Single- lever Dump and Lift Control	√
Torque Converter Lock- up Control	√

Operator's Compartment	
Canopy(ISO ROPS and FOPS approved)	√
Fully Enclosed Cab with Heating and Air Conditioning	√
LED Front and Rear Lighting	√
Two - Point Seat Belt	√
Three - Point Contact Quick Access to Cab	√
Grammer Mechanical Suspension Seat	√
Laminated Tempered Glass	√
Steering Wheel Control	√
Door Interlock Protection	√

Documentation	
Parts manual	√
Operational manual	√
Maintenance and service manual	√

Optional Configurations
Automatic Fire Suppression System
Tire Pressure Monitoring System (TPMS)
Harmful Gas Monitoring
360° Surround View
Weighing System
Retarder Auxiliary Brake
Hydraulic Oil Electric Heating System
Coolant Auxiliary Heating System