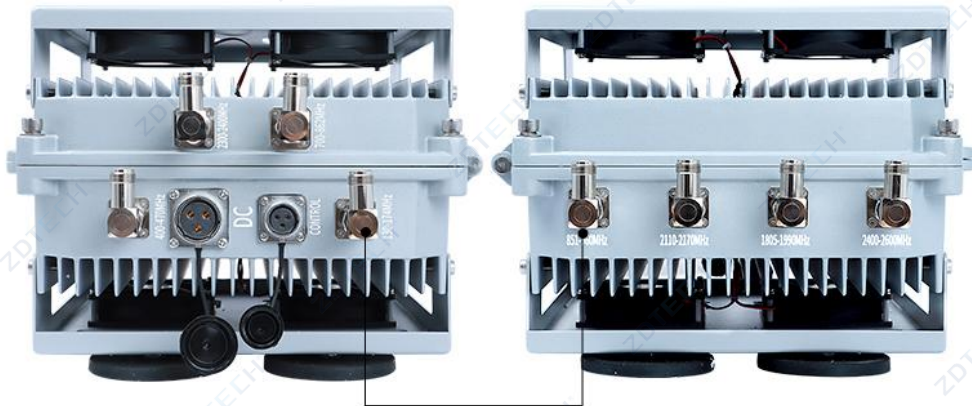
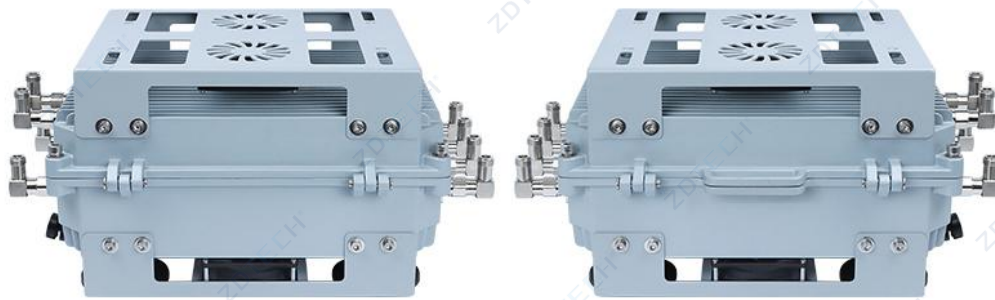


8 Channels 400W Vehicle Drone Jammer

UP SIDE



ANTENNA INTEREACE



DOWN SIDE



Model NO.	ZD-VD0080
Power	≥400W
Frequency	CH1 600-700MHz
	CH2 720-840MHz
	CH3 830-940MHz
	CH4 950-1050MHz
	CH5 1550-1620MHz
	CH6 2400-2500MHz
	CH7 5150-5350MHz
	CH8 5725-5850MHz
Signal Style	DSSS (Spread Spectrum)/FHSS (Frequency Hopping)
Color	Silver/Army Green
Work Environment	-30°C~70°C
Power Supply Mode	Car battery DC 12-24-32V
Usage Time	Work without interruption
Host Size	304*184*78mm
Weight	≤5Kg
Cooling System	4*8000-12000 Fan Speed
Customization Service	OEM/ODM service available
Jamming Models	FPV drone, fixed-wing aeroplane, O3+, O3pro video transmission And other brands
Configuration List	1 pc Host
	1 pc Switch Cable
	1 pc Power Cable
	6 pcs N Male to N Female Adapter
	6 pcs Fiberglass Antenna
Operation Instructions	1) Check the appearance of the equipment to ensure it is intact. Compare with the product list to verify that all accessories are complete.
	2) Match the main unit ports with the antenna labels, then tighten the antennas onto the device.
	3) Connect the power cable to the battery.
	4) Press the switch to start working.
	5) After 30 seconds, the countermeasure device takes effect, causing the drone to be driven away or forced to land.
	6) When the countermeasure is finished, press the on/off button and the indicator light goes out.

Operation Mode



Host



Power Cable



Switch Cable



Antenna

