

## 25-512MHz Wideband VHF UHF Omnidirectional Antenna

<b>Model</b>	ZD-VUA-25/512M-NF
<b>ELECTRICAL SPECIFICATIONS-VHF/UHF</b>	
<b>Frequency range</b>	25 - 512 MHz
<b>Impedance</b>	50 ohms
<b>VSWR</b>	< 3.5
<b>Gain</b>	typ. -6 ..... +0.5 dB(1/4 wave whip)
<b>Polarization</b>	vert.
<b>Maximum power</b>	100 W CW
<b>Connector</b>	N female (BNC female optional)
<b>ELECTRICAL SPECIFICATIONS - GPS</b>	
<b>Frequency range</b>	L1 1575.42 +/- 10 MHz
<b>Impedance</b>	50 ohms
<b>VSWR</b>	< 2
<b>Polarization</b>	RHC
<b>LNA Gain / Voltage / Current</b>	18 dB (+/- 2 dB) / 5 V / 19 mA
	16 dB (+/- 2 dB) / 3.5 V / 13 mA
	10 dB (+/- 2 dB) / 2 V / 7 mA
<b>Noise fig.</b>	<1.5 dB
<b>Connector</b>	SMA female
<b>MECHANICAL SPECIFICATIONS</b>	
<b>Design</b>	End fed whip (VHF/UHF); patch antenna with LNA(GPS)
<b>Height</b>	2.75 m
<b>Weight</b>	3.8 kg
<b>Max. high voltage rating</b>	16 kV
<b>Temperature range - in use</b>	-50 ... +55 °C
<b>Temperature range - in stock</b>	-55 ... +75 °C
<b>Wind rating</b>	45 m/s (160 km/h)
<b>Color</b>	MIL Green

### VERSIONS:

ZD-VUA-25/512M-N: antenna with N female connector

ZD--VUA-25/512M-G-N: antenna with N female connector and active GPS antenna (L1) in the antenna base

ZD-VUA-25/512M-BNC: antenna with BNC female connector

ZD-VUA-25/512M-G-BNC: antenna with BNC female connector and active GPS antenna (L1) in the antenna base

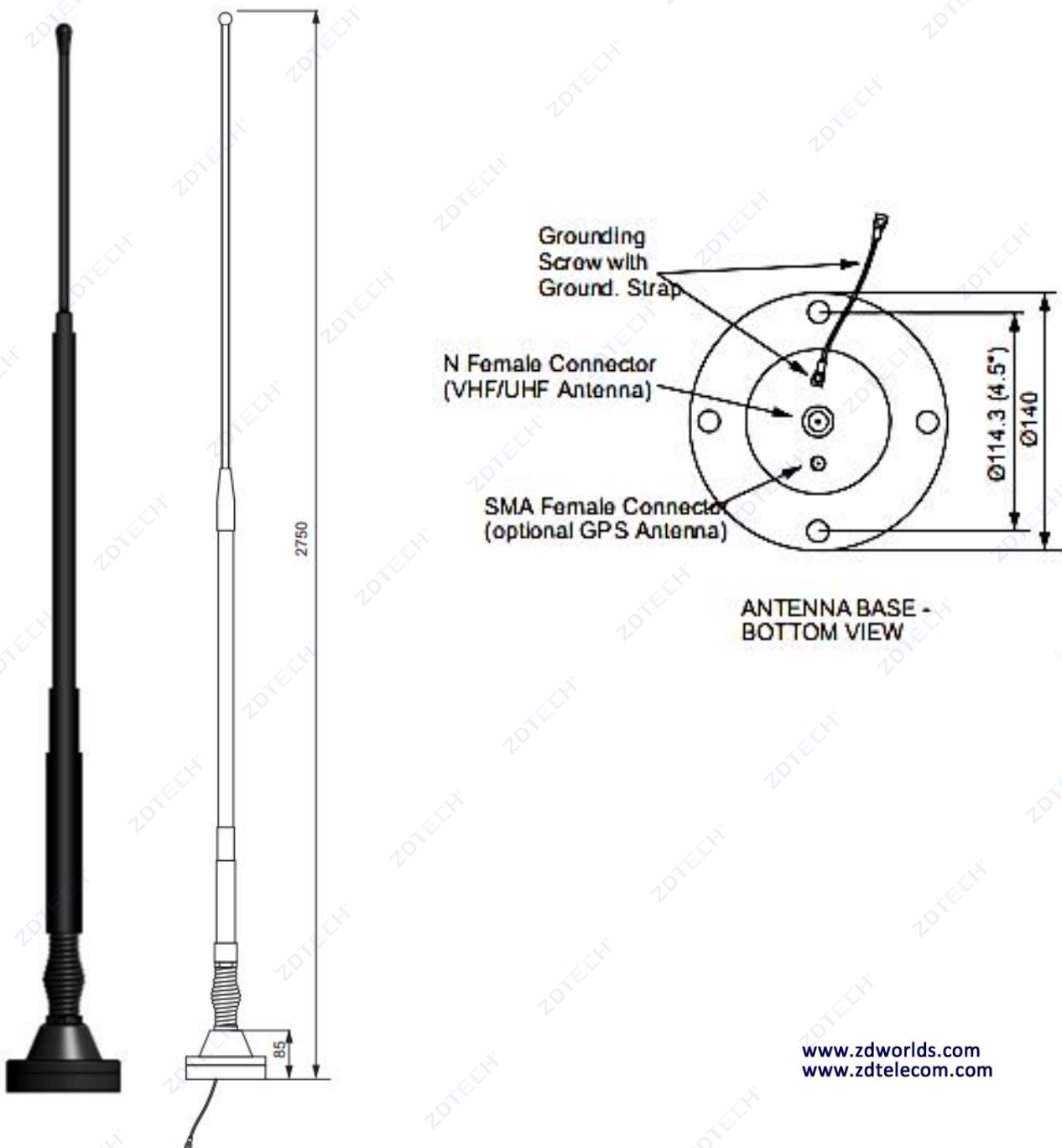
## Application

The antenna ZD-VUA-25/512M-NF is a wideband mobile VHF/UHF antenna for frequency range from 25 to 512 MHz, mainly intended for use in heavy duty mobile applications.

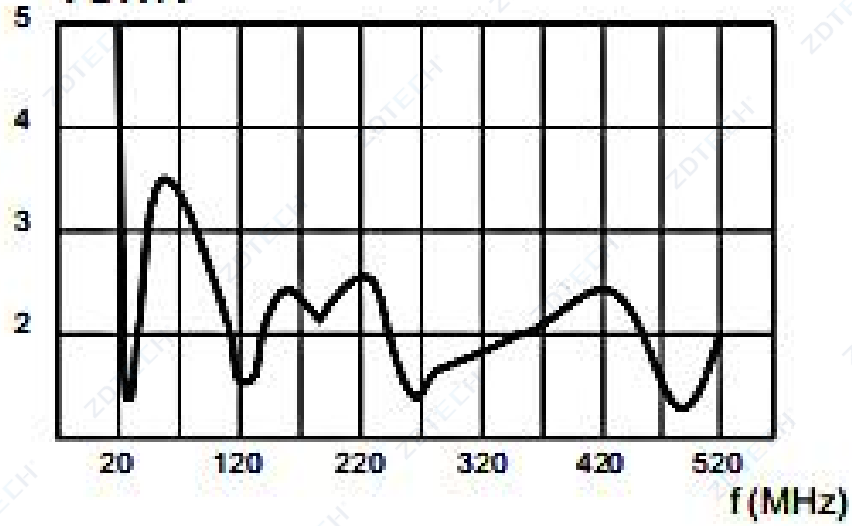
The antenna is composed of three main parts: antenna base, lower and upper radiating element. The antenna base is made of aluminum and durable plastic materials. Inside the base is the matching circuitry and (optional) GPS antenna.

Stainless steel spring absorbs the shocks and the vibrations, in addition protects the antenna against impacts. Both radiating elements are made of composite materials enable outstanding strength and roughness even in hardest conditions of use.

The antenna base has four mounting holes equally spaced on a 4.5" (114.3 mm) circle which complies with NATO standard. Different base plate dimensions are available on request. The antenna radiator is painted with military green (RAL-6014) two-component UV resistant paint.



VSWR



Gain (dB to 1/4 monopole whip)

