

FMZ Connection Valves



FMZ Connection Valves

Description

The FMZ Connection Valves is a connecting device of SF₆ density monitor to SF₆ switch gear. The maintenance personnel can inspect SF₆ density monitor or replace it without disassembling the device from installed switchgear. It provides a solution to gas density monitor inspection, replacement and gas filling, without damage to the sealing surface and seal rings of the switch caused by disassembling of valves in the process of regular checks. Therefore, it can reduce the leakage rate, improve the work efficiency, and ensure the safe operation of SF₆ electrical switch.

Features

- The SF₆ density meters can be inspected/replaced without disassembling the SF₆ meter/monitor.
- Operation can be done by one person alone without removing screws, convenient, labor – saving and time-saving.
- Easy for personnel on site to make micro-water detection and gas filling.
- Avoid the damage to sealing surface and seal rings due to disassembling.
- High-quality stainless steel with good looking appearance, never get rusted.
- With stainless steel rain cover, it can resist rain and sun, greatly improving the reliability and service life of the density relay.

Options

- Pressure connections: customizable
- Nominal diameter: customizable
- Valve type: needle valve or ball valve

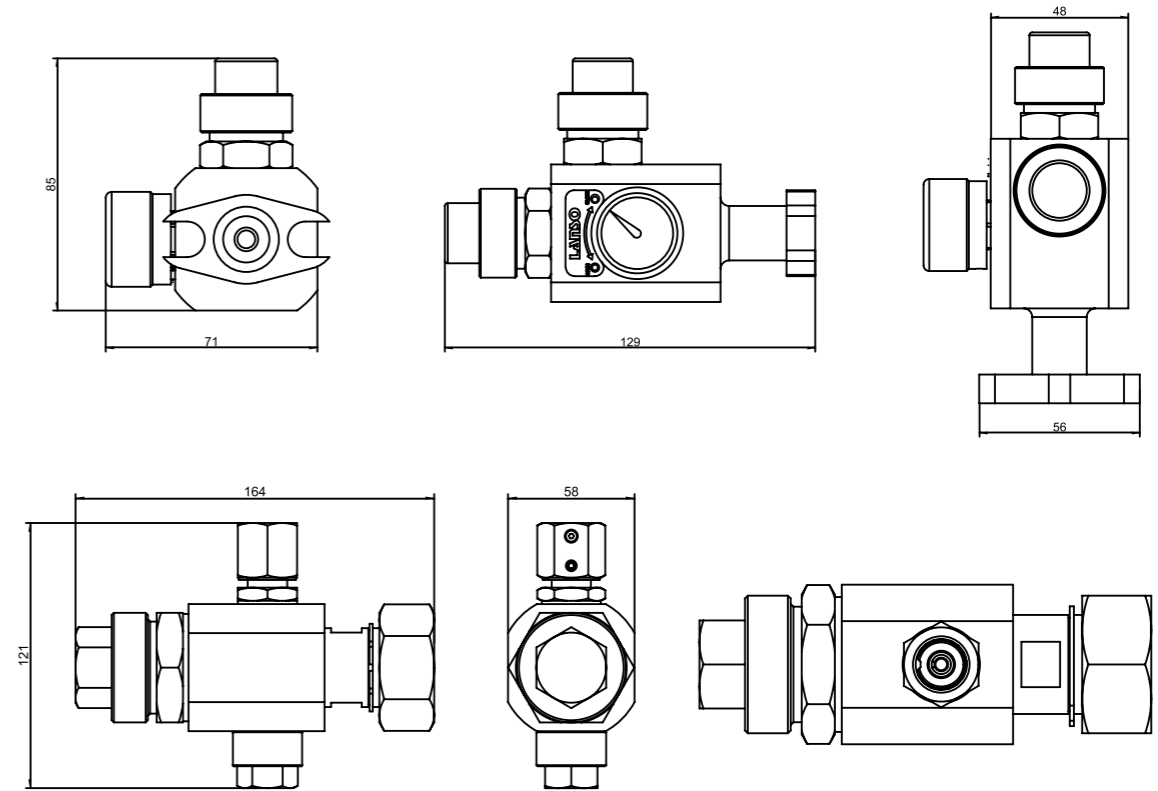
Application

- SF₆ Gas Insulated Switchgear (GIS)
- SF₆ Insulated Circuit Breaker
- SF₆ Insulated Pole-Mounted Switch
- SF₆ Insulated Transformer
- SF₆ Insulated Current Transformers or Voltage Transformers
- SF₆ Insulated Bus System

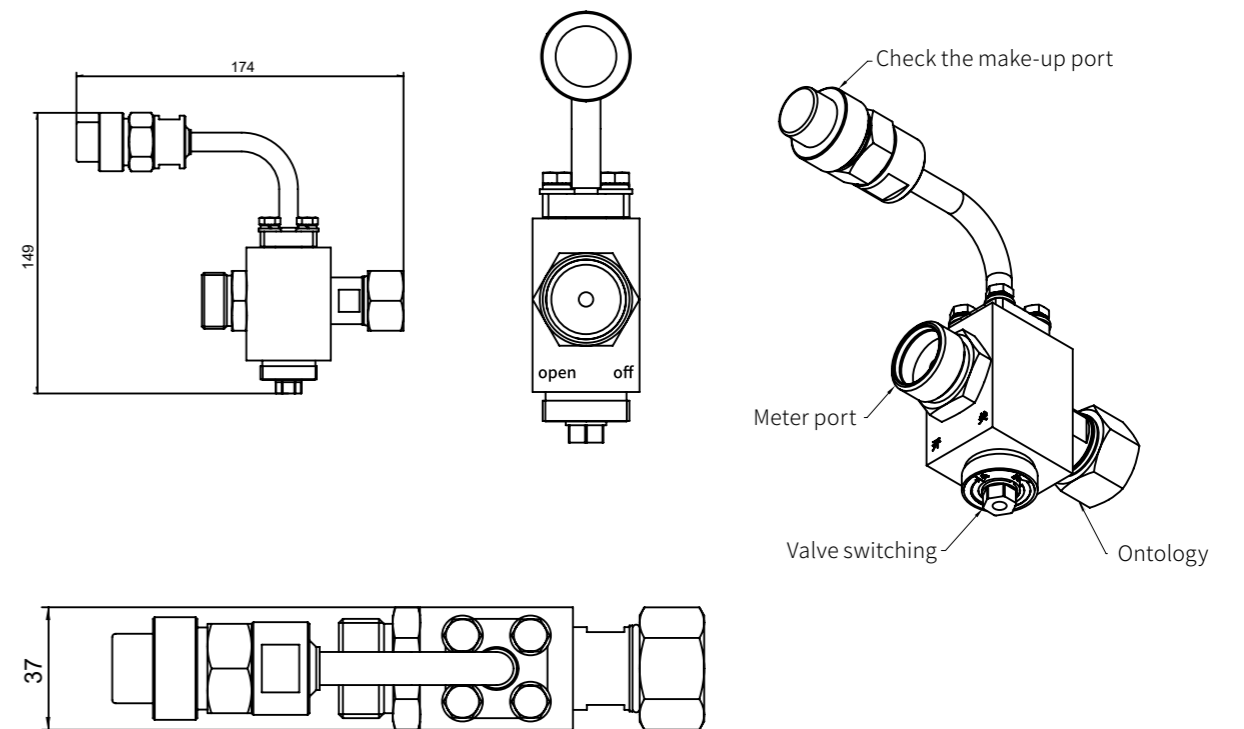
Technical Parameters

Valve Material	Aluminium /Copper alloy/ Stainless steel
Nominal bore	DN6、DN8、DN12、DN20 etc
Surface Finish	Aluminium – anodized Copper alloy – natural AISI304 stainless steel-natural
Ambient conditions	-40° C to +70° C
Leakage rate	Needle valve: $\leq 1 \times 10^{-8} \text{Pa} \cdot \text{m}^3/\text{s}$ Ball valve: $\leq 1 \times 10^{-9} \text{Pa} \cdot \text{m}^3/\text{s}$
Operating pressure range	0~1.6MPa
Maximum withstand pressure	6.4MPa

Dimensions



Schematic diagram (high-voltage version)



Schematic diagram (medium voltage model)