



浙江大学湖州研究院
HUZHOU INSTITUTE OF ZHEJIANG UNIVERSITY
Artificial Intelligence and Robotics Education Research Center



NASHENBOT

Building Manual



AI Programming and Mathematical Interests

Artificial Intelligence Educational Robot Course

48x

2x

2x

4x



2x

1x 16#

1x

4x 3#

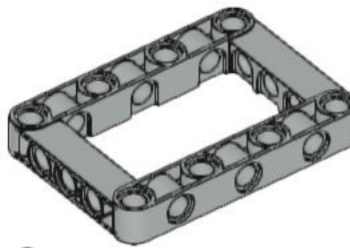
2x



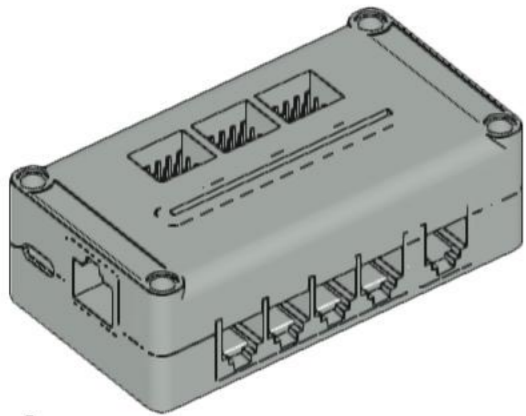
4x



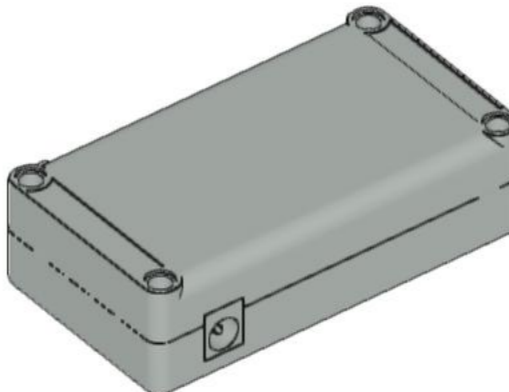
2x



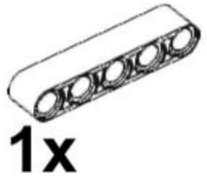
6x



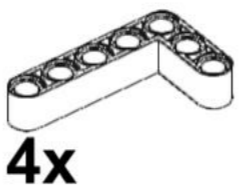
1x



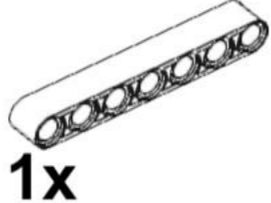
1x



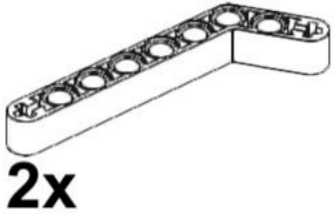
1x



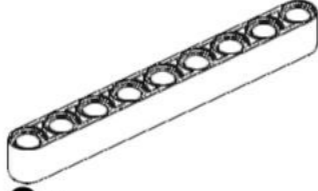
4x



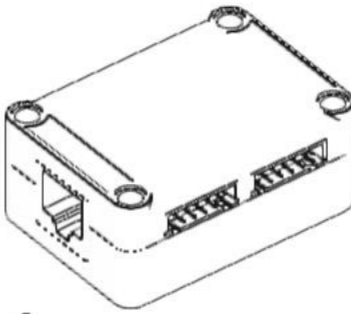
1x



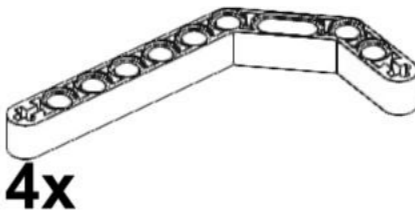
2x



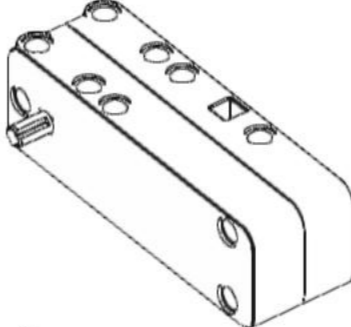
3x



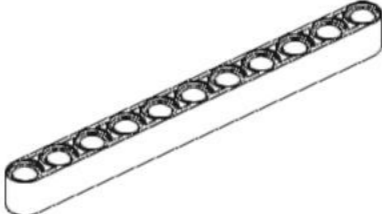
1x



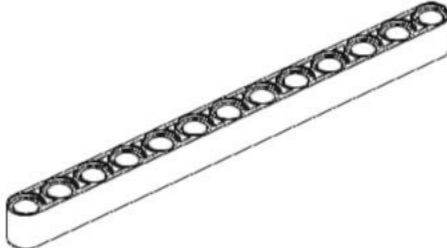
4x



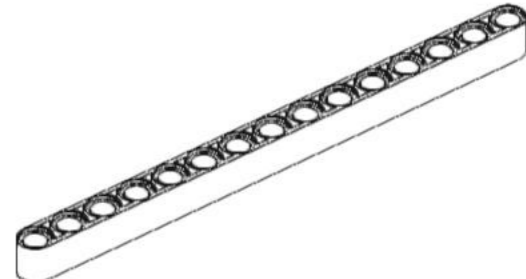
4x



4x



2x



1x



4x



12x



8x



14x

