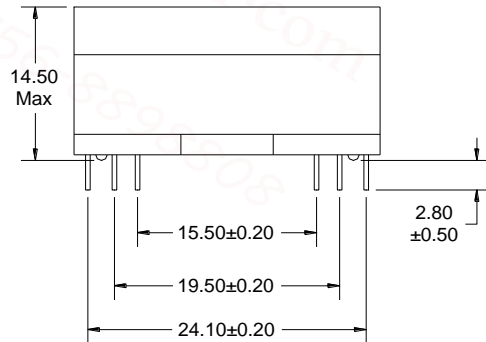
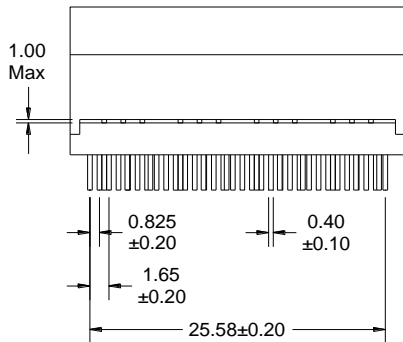
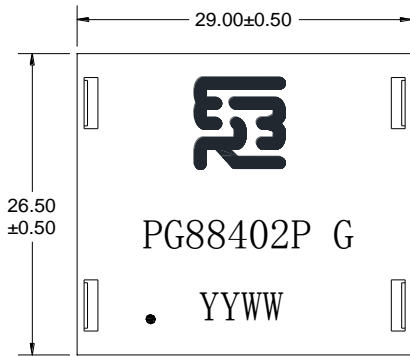


LAN Transformer

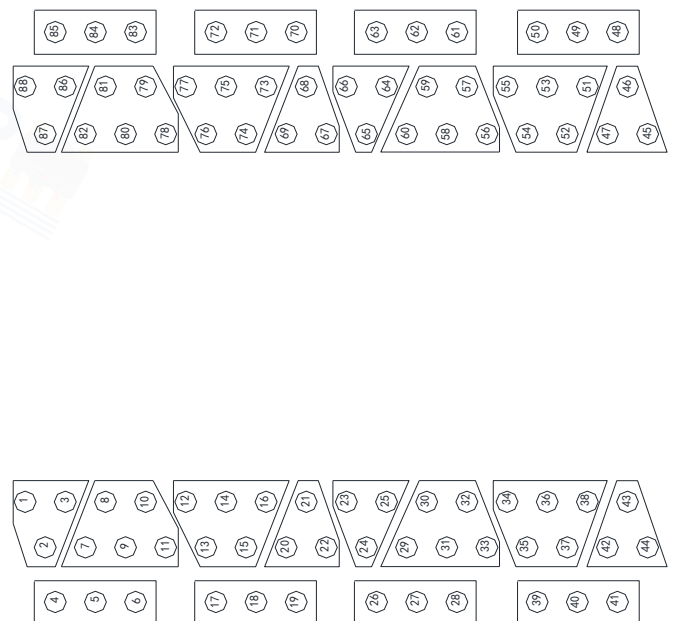
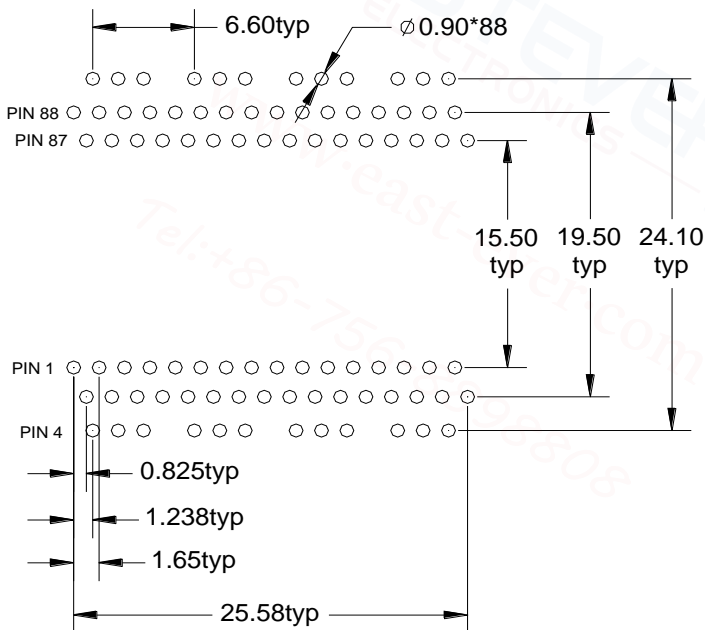
100/1000 BASE-T PG88402PG

REV: 0

A. MECHANICAL(unit:mm)



B. PCB Layout mounting Hole(Top View)

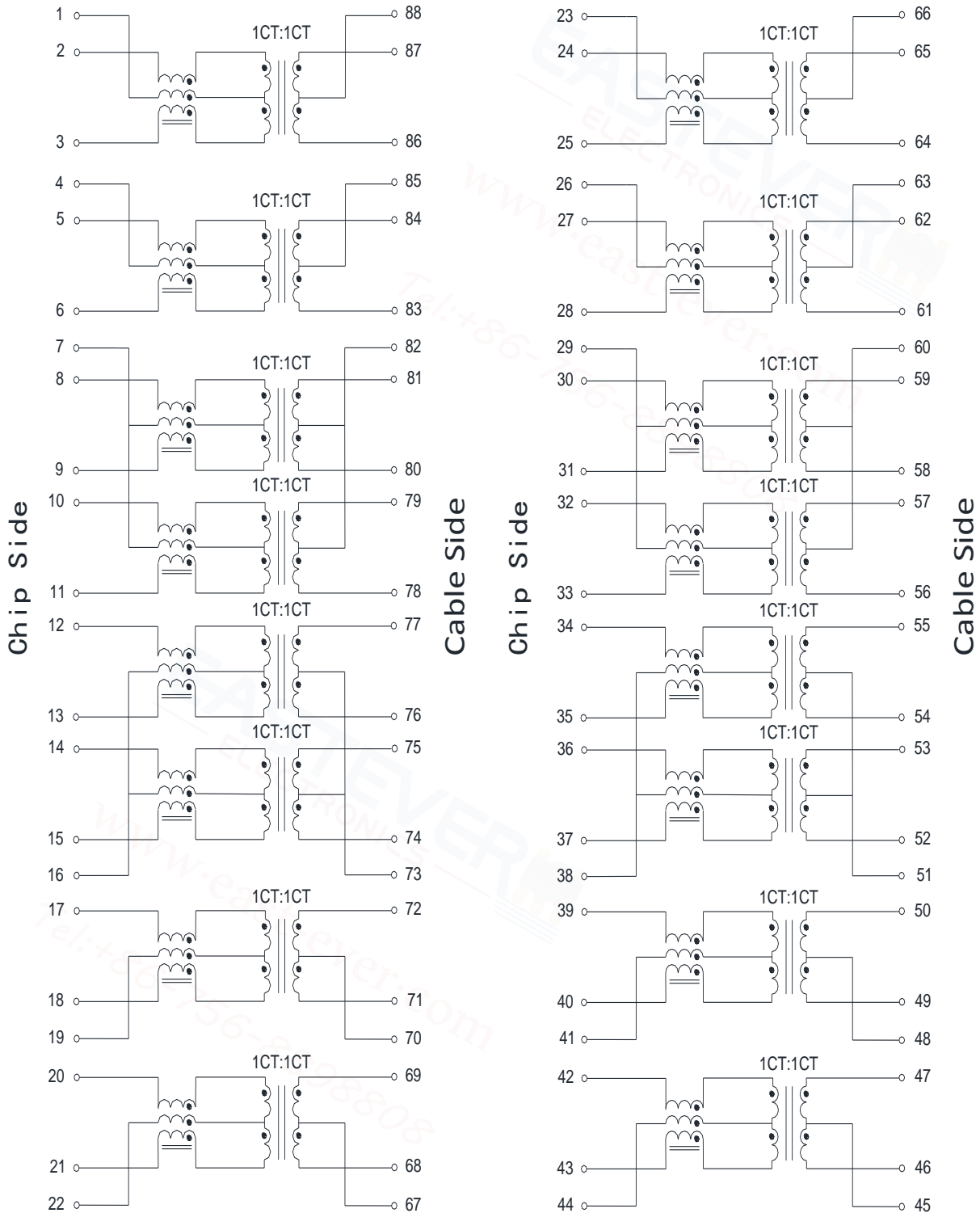


LAN Transformer

100/1000 BASE-T PG88402PG

REV: 0

C. SCHEMATICS



LAN Transformer

100/1000 BASE-T PG88402PG

REV: 0

D.ELECTRICAL SPECIFICATIONS @25°C

1. OCL: 350uH Min @ 100KHz, 0.1V 8mA DC BIAS
2. Leakage Inductance: 0.5uH Max @ 100KHz, 0.1V
3. DCR : 1400mΩ Max
4. Turns Ratio: 1CT:1CT±5%
5. Insertion Loss: -1.10dB Max @ 1-100 MHz
6. Return Loss: -18.0dB Min @ 1-30 MHz -14.4 dB Min @ 40 MHz
-13.1 dB Min @ 50 MHz -12.0dB Min @ 60-80 MHz
-10.0 dB Min @ 100 MHz
7. Cross Talk: -30 dB Min @ 1-100 MHz
8. Cmmon Mode Rejection: -30 dB Min @ 1-100 MHz
9. Isolation Hipot: 1500VAC 1mA 60S
10. Operating temperature 0°C to +70°C
11. Storage temperature -25°C to +125°C
12. IEEE802.3at compliant performance---720mA Current Capability

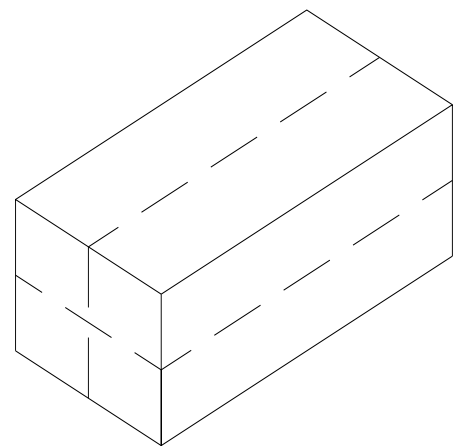
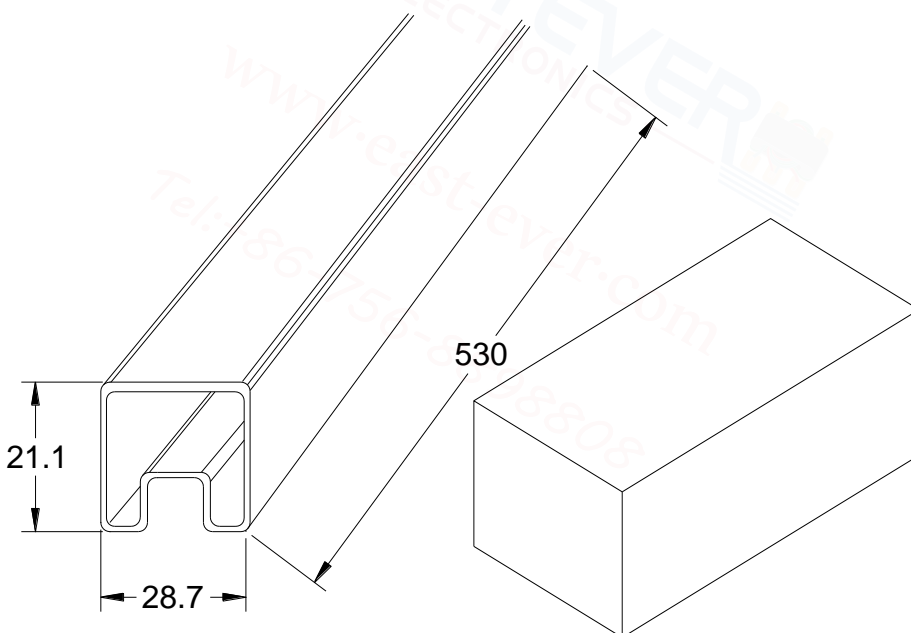
E. PACKAGE INFORMATION

Package Quantity:

One Tube=17Pcs

One Inner Carton=17*20=340Pcs

One Export Carton=340*4=1360Pcs



Tube: 530*28.7*21.1mm

Inner Carton: L555*W165*H100mm

Export Carton: L583*W370*H240mm