

Terminal Load

HILINKS

954XXXX0

- Frequency Range DC-4000 MHz
- Low VSWR, Low PIM < -105dBc
- High reliability
- Suitable for indoor and outdoor applications
- Wall mounting

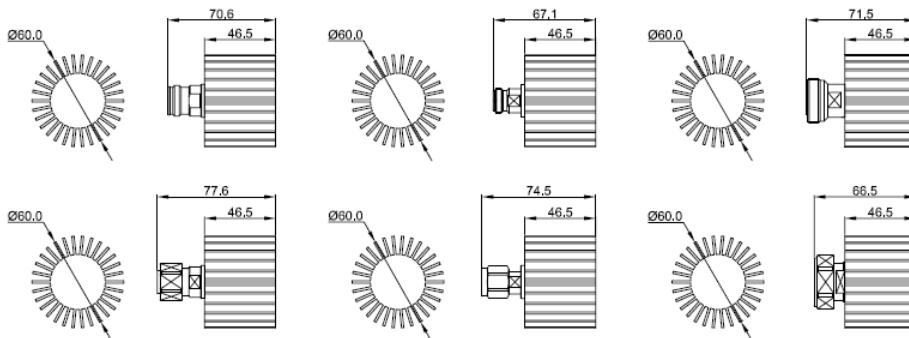
Technical Data

Electrical Specifications			
Product No.	N Female	95440890	95444890
	N Male	95440900	95444900
	4.3-10 Female	95440910	95444910
	4.3-10 Male	95440920	95444920
	7-16 Female	95440930	95444930
	7-16 Male	95440940	95444940
Input Power (W)		10	25
Frequency Range (MHz)		DC-4000	
Return Loss (dB)		≥21	
PIM3 (dBc)		≤-105, 10W/25W (@2x33 dBm Carrier)	
Impedance (Ω)		50	

Mechanical Specifications		
Dimensions, HxWxD (excluding connectors and mounting bracket) (mm)	N Female/Male	∅ 60x46.5
	4.3-10 Female/ Male	∅ 60x46.5
	7-16 Female/ Male	∅ 60x46.5
Weight (including connectors and mounting bracket) (kg)	N Female/Male	0.3
	4.3-10 Female/ Male	0.3
	7-16 Female/ Male	0.35
Packing Size(mm)		160x70x70 (50Pcs/box)
Color		Black (customized)
Mounting		Wall Mounted

Environmental Specifications	
Operational Temperature (°C)	-40 to +65
Operational Humidity (%)	≤95
Ingress Protection Class	IP65 (Indoor and Outdoor)

Outline Drawing



10-25 W