

Terminal Load

HILINKS

954XXXX0

- Frequency Range DC-6000 MHz
- Low VSWR, Low PIM < -105dBc
- High reliability
- Suitable for indoor and outdoor applications
- Wall mounting

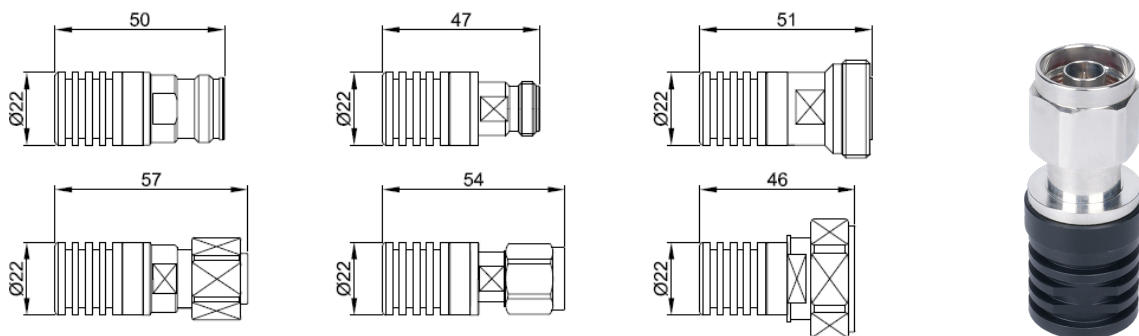
Technical Data

Electrical Specifications			
Product No.	N Female	95433570	95437570
	N Male	95433580	95437580
	4.3-10 Female	95433590	95437590
	4.3-10 Male	95433600	95437600
	7-16 Female	95433610	95437610
	7-16 Male	95433620	95437620
Input Power (W)	2		5
Frequency Range (MHz)	DC-6000		
Return Loss (dB)	DC-3000MHz \geq 21dB, 3000-3800MHz \geq 19dB, 3800-6000MHz \geq 17dB		
PIM3 (dBc)	\leq -105, 2W/5W (@2x33 dBm Carrier)		
Impedance (Ω)	50		

Mechanical Specifications		
Dimensions, HxWxD (excluding connectors and mounting bracket) (mm)	N Female/Male	ϕ 22x47/ ϕ 22x54
	4.3-10 Female/ Male	ϕ 22x57/ ϕ 22x50
	7-16 Female/ Male	ϕ 22x46/ ϕ 22x51
Weight (including connectors and mounting bracket) (kg)	N Female/Male	0.2
	4.3-10 Female/ Male	0.2
	7-16 Female/ Male	0.25
Packing Size(mm)	70x30x30 (100Pcs/box)	
Color	Black (customized)	
Mounting	Wall Mounted	

Environmental Specifications	
Operational Temperature ($^{\circ}$ C)	-40 to +65
Operational Humidity (%)	\leq 95
Ingress Protection Class	IP65 (Indoor and Outdoor)

Outline Drawing



2-5W