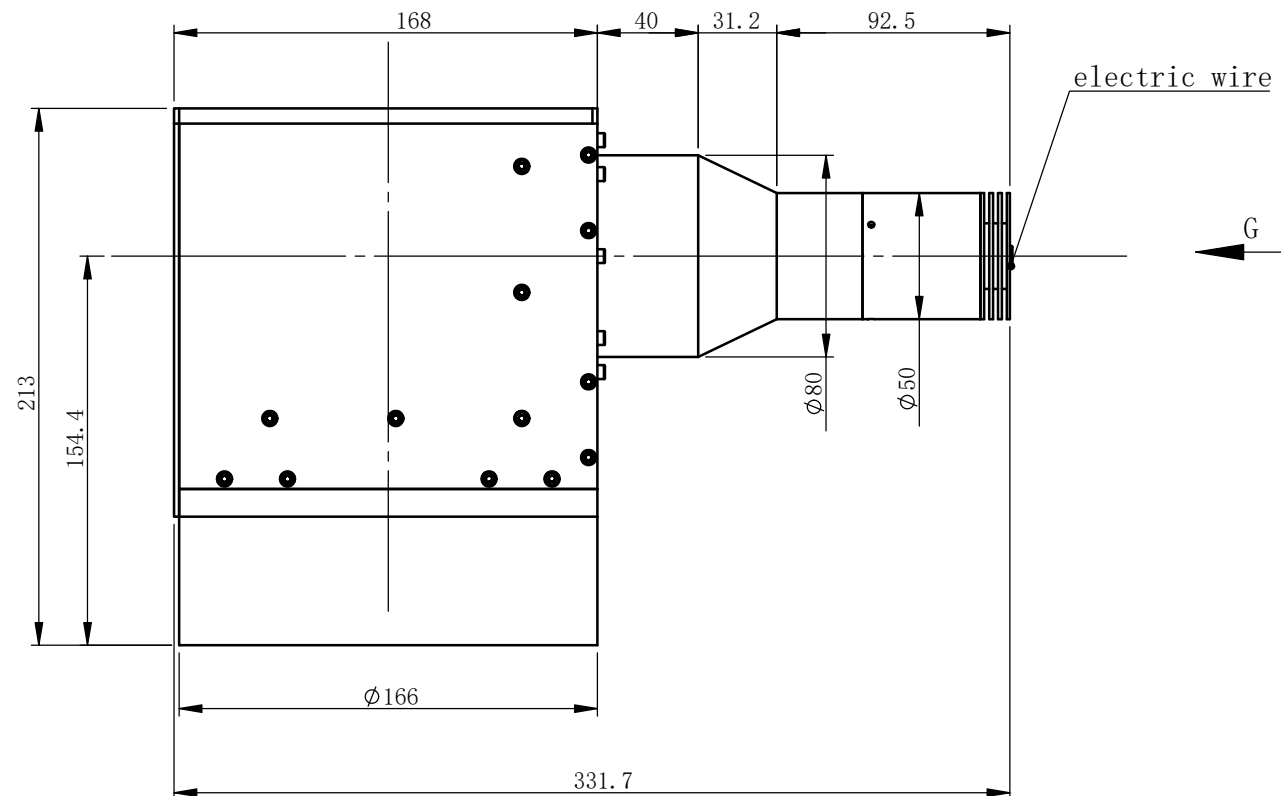


View G



## XF-PTI137-PRO-L90-(C)

### Specificalton

Rated Power : 10W  
 Rated Voltage : 24V  
 Max Current : 420mA  
 Beam Diameter :  $\Phi 137\text{mm}$   
 Working Distance :  $371 \pm 186\text{mm}$

File Name		Light Source Colour (C)			
XF-PTI137-PRO-L90-(C)		R	G	B	W
Undefined tolerance (mm)	degree	File Name			
X. X	$\pm 0.2$	$\pm 30\text{min}$	XF-PTI137-PRO-L90-(C)-外形尺寸-EN		
X. XX	$\pm 0.02$	Drawing Name			
X. XXX	$\pm 0.005$	Drawing Size: A3			
	Sign	Data/Ver.	Material	Ratio	Product Name
Design		V5		1:5	
Modify1			Qty		Canrill OPTICS
Modify2			Total:	Page:	All design and drawings are intellectual property of Canrill Optics, can not be copied without Canrill's authorization.