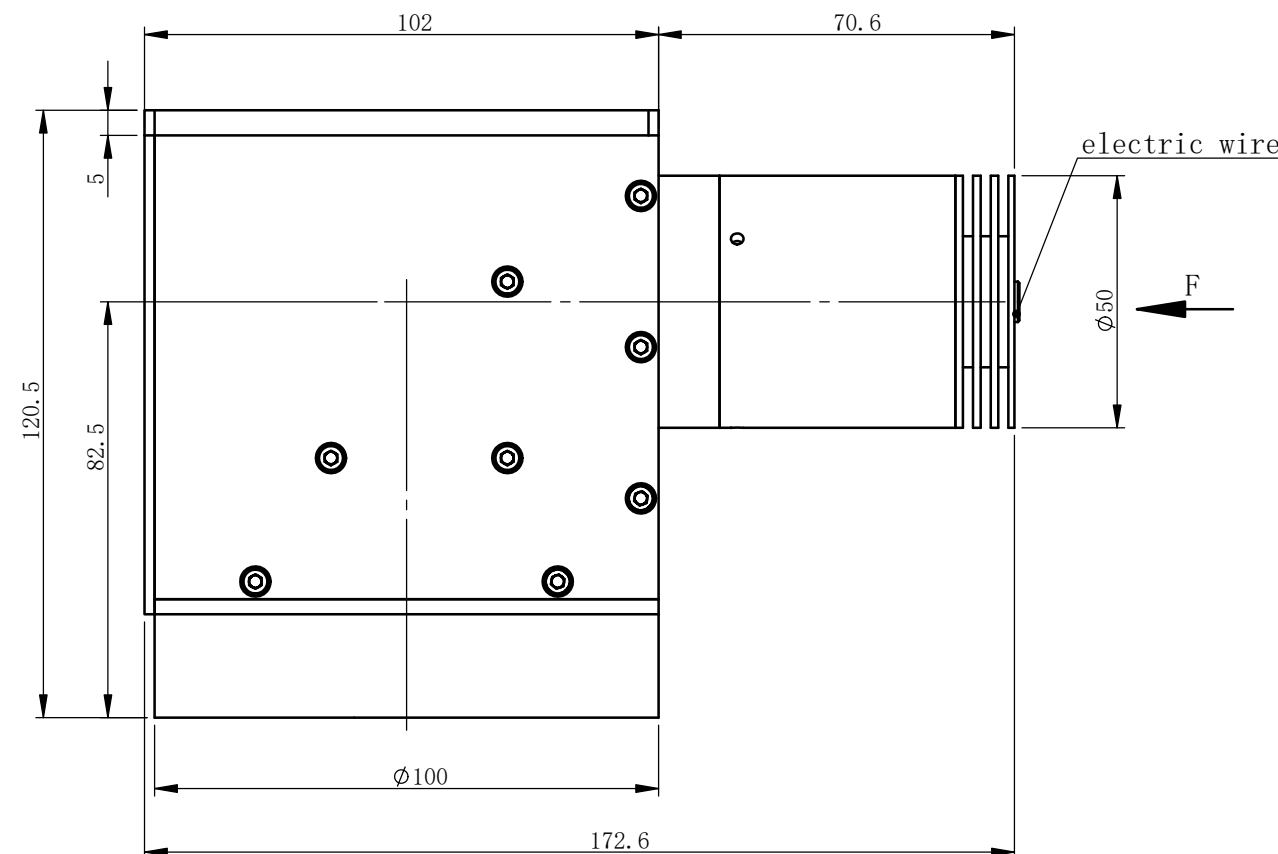


View F



## XF-PTI080-PRO-L90-(C)

### Specifaciton

Rated Power :	5W
Rated Voltage :	24V
Max Current :	208mA
Beam Diameter :	Φ80mm
Working Distance:	120±80mm(Diameter of diaphragm: 4mm)
Aperture Angle:	

Diameter of diaphragm(mm)	1	2	3	4	5	6	7	8	9
NA	0.003	0.006	0.009	0.012	0.016	0.019	0.022	0.025	0.028
Aperture Half-angle(°)	0.18	0.36	0.54	0.71	0.89	1.07	1.25	1.43	1.61
File Name		Light Source Colour(C)							
XF-PTI080-PRO-L90-(C)		R	G	B	W				
Undefined tolerance (mm)	degree	File Name							
X.X	±0.2	±30min	XF-PTI080-PRO-L90-(C)-外形尺寸-EN						
X.XX	±0.02	Drawing Name							
X.XXX	±0.005	Drawing Size: A3							
	Sign	Data/Ver.	Material	Ratio	Product Name				
Design				1:5					
Modify1			Qty			Canrill OPTICS			
Modify2			Total:	Page:	<small>All design and drawings are intellectual property of Canrill Optics, can not be copied without Canrill's authorization.</small>				