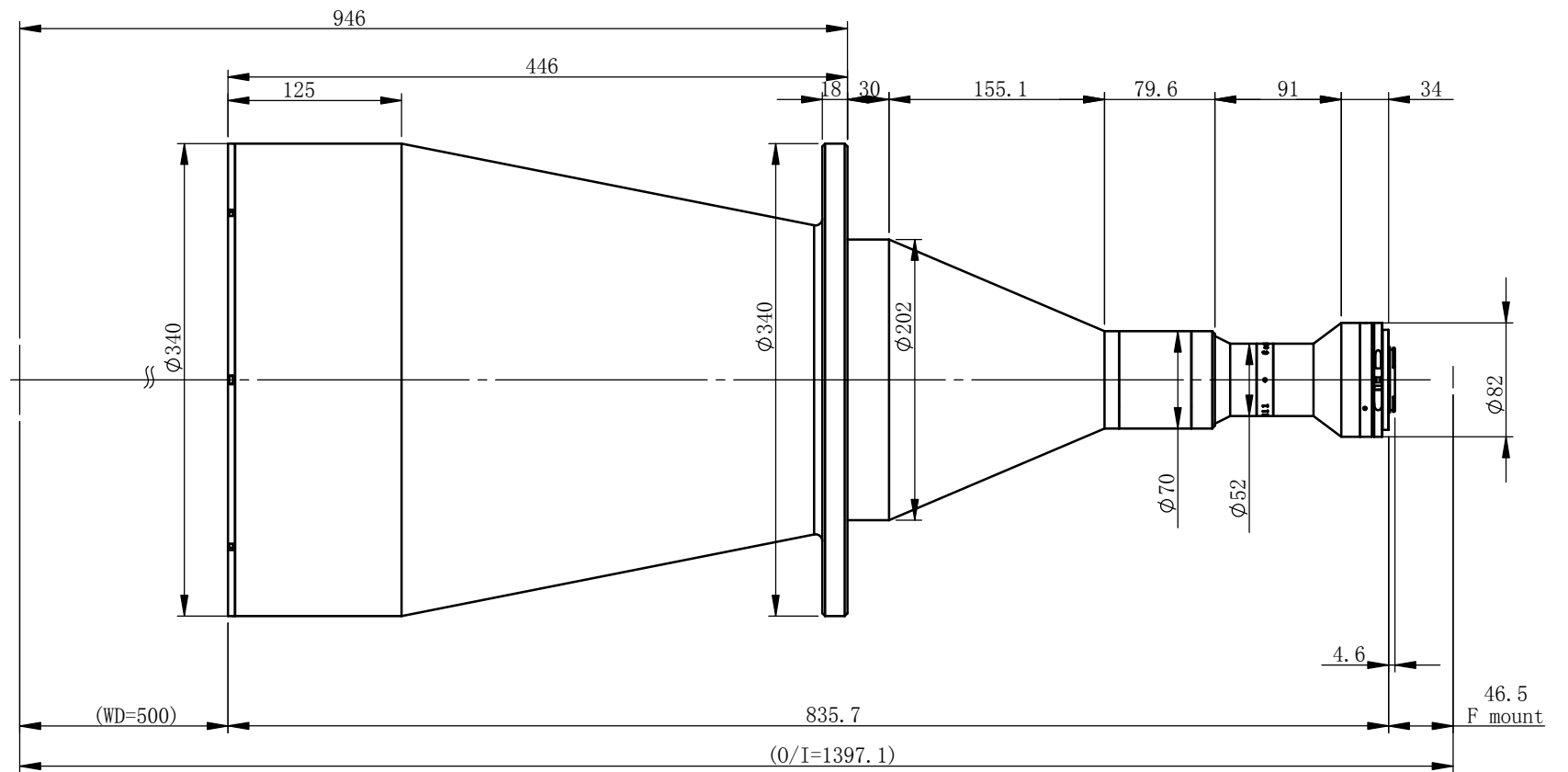


XF-PTL31032-F



Specification

Optical structure	Bi-Telecentric
Magnification	0.106
Object field of view	Ø306.6mm
Image field of view	Ø32.5mm
Working Distance	500mm±3%
Telecentricity	<0.04°(0.06°)
Depth of field	73.2mm
F#	F7.5
Resolution	46.7µm
MTF	>0.3@135lp/mm
Distortion	<0.055%(0.066%)
Detector type:	

2'	23.0×23.0	217.0×217.0mm
7/4'	22.5×16.9	212.3×159.4mm
4/3'	18.0×13.5	169.8×127.4mm
1.1'	14.2×10.4	134.0×98.1mm
1'	13.1×8.8	123.6×83.0mm
2K Linear scan	2048×10µm	193.2mm
4K Linear scan	4096×7µm	270.5mm

Optional camera mount

- 1、F mount
- 2、M42×1

XF-PTLAAABB-C/F/P/M- (L90E) - (VI)

The fourth generation lens of Canrill

The camera mount (M & P mount need specify BFL)

Variable aperture option

Object FOV

90° Steering option

Image FOV

Undefined tolerance (mm)	degree	File Name			
X. X	±0.2	±30min	XF-PTL31032-F-外形尺寸-EN		
X. XX	±0.02	Drawing Name			
X. XXX	±0.005	Drawing Size: A3			
	Sign	Data/Ver.	Material	Ratio	Product Name
Design				1:5	
Modify1			Qty		Canrill OPTICS
Modify2			Total:	Page:	All design and drawings are intellectual property of Canrill Optics, can not be copied without Canrill's authorization.