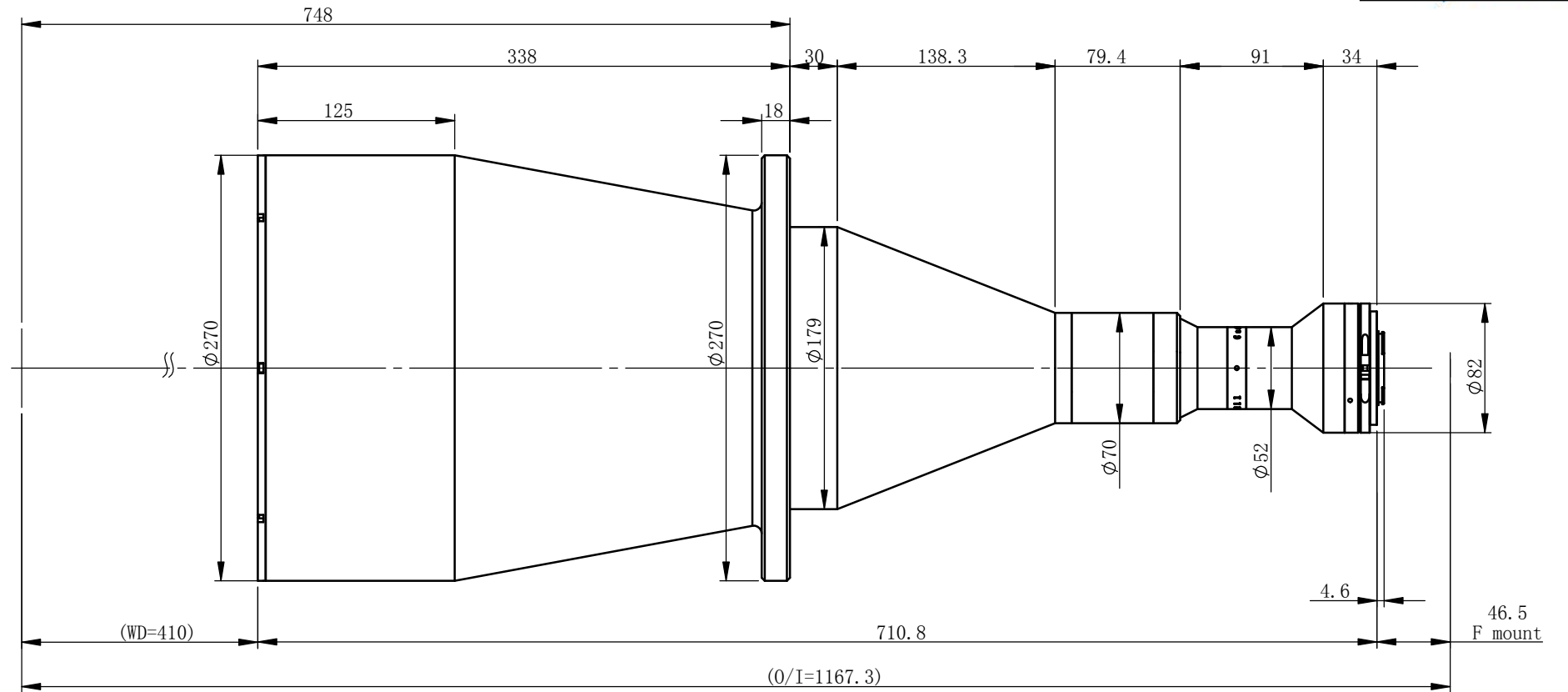


## XF-PTL23832-F



### Specification

Optical structure	Bi-Telecentric
Magnification	0.138
Object field of view	Φ235.5mm
Image field of view	Φ32.5mm
Working Distance	410mm±3%
Telecentricity	<0.04°(0.06°)
Depth of field	43.3mm
F#	F7.5
Resolution	35.9μm
MTF	>0.3@135lp/mm
Distortion	<0.04%(0.053%)
Detector type:	

2'	23.0×23.0	166.7×166.7mm
7/4'	22.5×16.9	163.0×122.5mm
4/3'	18×13.5	130.4×97.8mm
1.1'	14.2×10.4	102.9×75.4mm
1'	13.1×8.8	94.9×63.8mm
2K Linear scan	2048×10μm	148.4mm
4K Linear scan	4096×7μm	207.8mm

### Optional camera mount

- 1、F mount
- 2、M42×1

**XF-PTLAAABB-C/F/P/M- (L90E) - (VI)**

The fourth generation lens of Canrill

The camera mount (M & P mount need specify BFL)

Variable aperture option

Object FOV

90° Steering option

Image FOV

Undefined tolerance (mm)	degree	File Name		
X. X	±0.2	±30min	XF-PTL23832-F-外形尺寸-EN	
X. XX	±0.02	Drawing Name		
X. XXX	±0.005	Drawing Size: A3		
	Sign	Data/Ver.	Material	Ratio
Design				1:5
Modify1			Qty	
Modify2			Total:	
			Page:	

All design and drawings are intellectual property of Canrill Optics, can not be copied without Canrill's authorization.