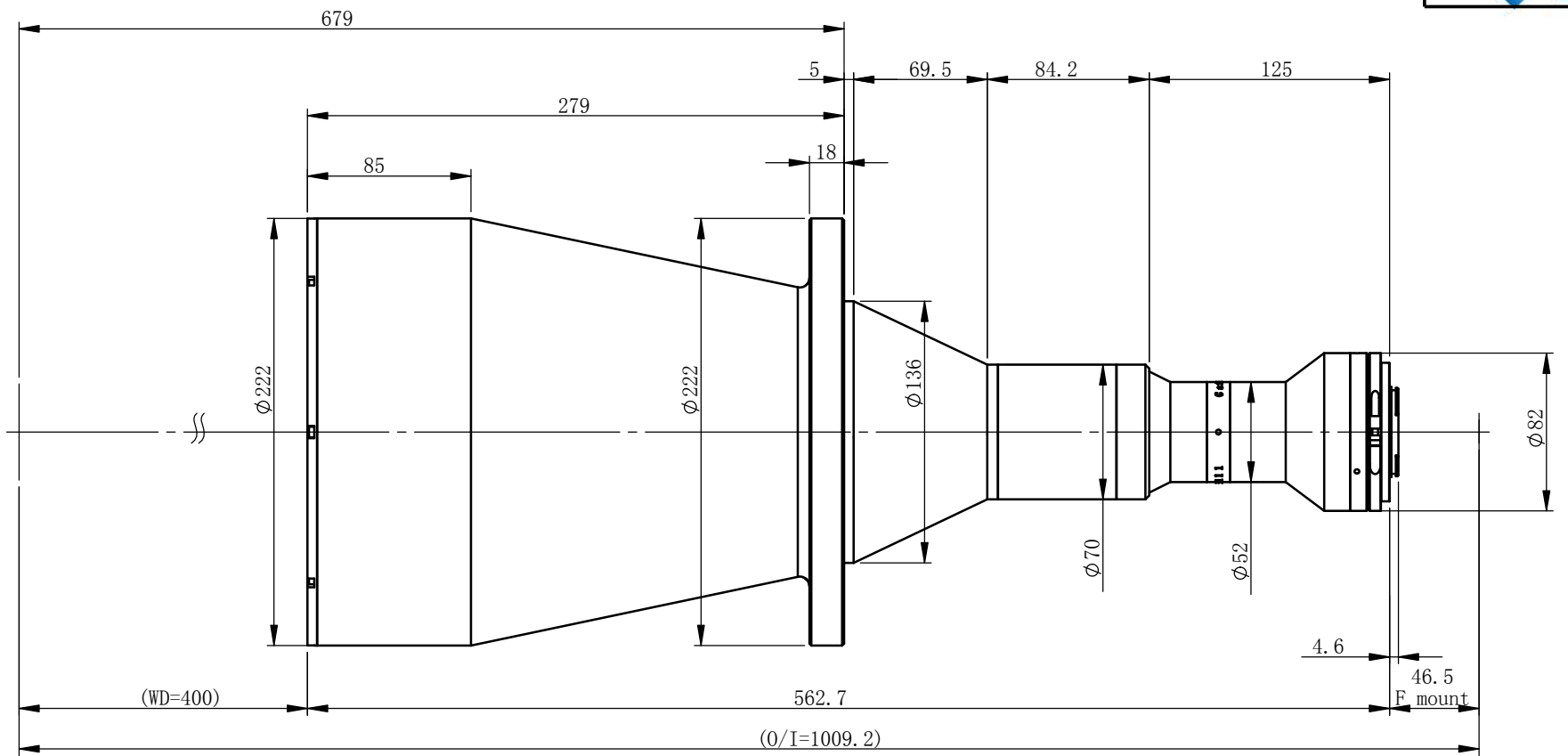


## XF-PTL19532-F

### Specification

Optical structure	Bi-Telecentric
Magnification	0.169
Object field of view	Φ192.3mm
Image field of view	Φ32.5mm
Working Distance	400mm±3%
Telecentricity	<0.04°(0.06°)
Depth of field	29.1mm
F#	F7.5
Resolution	29.34μm
MTF	>0.3@135lp/mm
Distortion	<0.057%(0.071%)
Detector type:	

2'	23.0×23.0	136.1×136.1mm
7/4'	22.5×16.9	133.1×100.0mm
4/3'	18×13.5	106.5×79.9mm
1.1'	14.2×10.4	84.0×61.5mm
1'	13.1×8.8	77.5×52.1mm
2K Linear scan	2048×10μm	121.2mm
4K Linear scan	4096×7μm	169.7mm



### Optional camera mount

- 1、F mount
- 2、M42×1

**XF-PTLAAABB-C/F/P/M- (L90E) - (VI)**

The fourth generation lens of Canrill

The camera mount (M & P mount need specify BFL)

Variable aperture option

Object FOV

90° Steering option

Image FOV

Undefined tolerance (mm)	degree	File Name		
X. X	±0.2	±30min	XF-PTL19532-F-外形尺寸-EN	
X. XX	±0.02	Drawing Name		
X. XXX	±0.005	Drawing Size: A3		
	Sign	Data/Ver.	Material	Ratio
Design				1:5
Modify1			Qty	☐ ⊕
Modify2			Total:	Page: