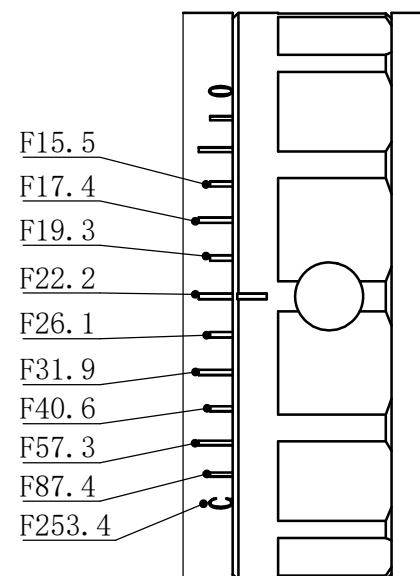


To ensure the illumination consistency and performance of the coaxial lights, the spot light has to meet below requirements:
 1. Consistent & Efficient lighting area $\geq \phi 6\text{mm}$
 2. Consistent & Efficient lighting angle $\geq \pm 13^\circ$ (NA is about 0.22)

XF-10MDT4X110DZM-1.1C-VI

Specification

Optical structure	Telecentric
Magnification	4
Object field of view	$\Phi 4.4\text{mm}$
Image field of view	$\Phi 17.6\text{mm}$
Working Distance	$110\text{mm} \pm 3\%$
Telecentricity	$< 0.05^\circ$
Depth of field	$0.1 - 1.8\text{mm}$
F#	F15.2—253.4
Resolution	$2.5 - 41.8\mu\text{m}$
MTF	$> 0.3 @ 65 - 4.1\text{lp/mm}$
Distortion	$< 0.046\%$
Detector type:	
1.1' 14.2×10.4	$3.6 \times 2.6\text{mm}$
1' 13.1×8.8	$3.3 \times 2.2\text{mm}$
2/3' 8.45×7.07	$2.1 \times 1.8\text{mm}$
1/2' 6.4×4.8	$1.6 \times 1.2\text{mm}$



Recommended spot light:

- LED spot light
 Model: XF-ADXML3 (W/R/G/B)
 Matched Digital Controller: HGDC-5V3W-H2
 Max Current: 1A (Steady) 2.5A (Strobe)
 Voltage: 3.5V
- Fiber spot light
 Light model: BX-OFPL-8-150W-W
 Fiber head model: BX-OPF-6-6-2M
 Max Current: 7A (Steady) 20A (Strobe)
 Voltage: 24V

* DON'T HOLD THIS AREA

未注公差		未注角度公差	文件名称		
X.X	± 0.2	$\pm 30\text{min}$	XF-10MDT4X110DZM-1.1C-VI-外形尺寸-EN		
X.XX	± 0.02		图样名称		
X.XXX	± 0.005	图纸尺寸: A3			
	签名	日期/版本号	材料	比例	产品名称
设计				1.5:1	
更改1			数量		灿锐光学 灿锐光学拥有本图纸描述内容的全部知识产权, 未经灿锐光学许可, 不得进行相关的生产。
更改2			共 张		