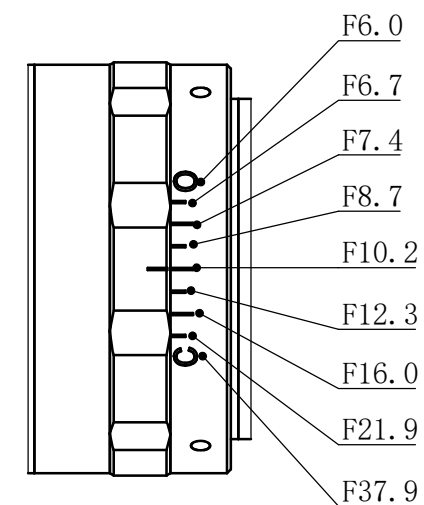


## XF-10MDT0075X350-1.1C-VI

### Specification

Optical structure	Bi-Telecentric
Magnification	0.075
Object field of view	Φ236.0mm
Image field of view	Φ17.7mm
Working Distance	350mm±3%
Telecentricity	<0.04°
Depth of field	118.5-659.5mm
F#	F6-F37.9
Resolution	53.7-339.1μm
MTF	>0.3@175-28lp/mm
Distortion	<0.021%
Detector type:	

1.1'	14.2×10.4	189.3×138.7mm
1'	13.1×8.8	174.7×117.3mm
2/3'	8.45×7.07	112.7×94.3mm
1/1.8'	7.2×5.3	96×70.7mm
1/2'	6.4×4.8	85.3×64mm



Undefined tolerance (mm)	degree	File Name			
X. X	±0.2	±30min	XF-10MDT0075X350-1.1C-VI-外形尺寸-EN-V5.1		
X. XX	±0.02	Drawing Name			
X. XXX	±0.005	Drawing Size: A3			
	Sign	Data/Ver.	Material	Ratio	Product Name
Design		V5.1		1:5	
Modify1			Qty		Canrill OPTICS
Modify2			Total:	Page:	All design and drawings are intellectual property of Canrill Optics, can not be copied without Canrill's authorization.