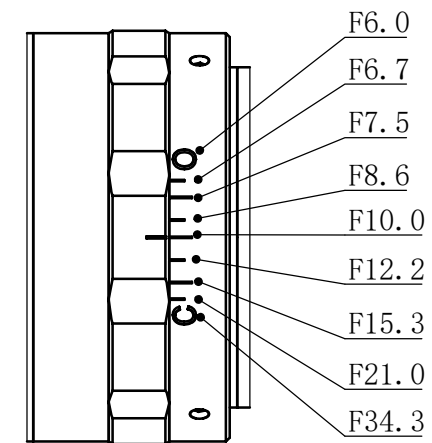


XF-10MDT00679X350-1C-VI

Specification

Optical structure	Bi-Telecentric
Magnification	0.0679
Object field of view	Φ235.6mm
Image field of view	Φ16mm
Working Distance	350mm±3%
Telecentricity	<0.04°
Depth of field	145.1-728.8mm
F#	F6-F34.3
Resolution	59.3-339.1μm
MTF	>0.3@175-31lp/mm
Distortion	<0.023%

1'	13.1×8.8	192.9×129.6mm
2/3'	8.45×7.07	124.4×104.1mm
1/1.8'	7.2×5.3	106.0×78.1mm
1/2'	6.4×4.8	94.3×70.7mm



Undefined tolerance (mm)	degree	File Name		
X. X	±0.2	±30min	XF-10MDT00679X350-1C-VI-外形尺寸-EN	
X. XX	±0.02	Drawing Name		
X. XXX	±0.005	Drawing Size: A3		
	Sign	Data/Ver.	Material	Ratio
Design				1:3
Modify1			Qty	
Modify2			Total:	
			Page:	