

KTB-2U1303J



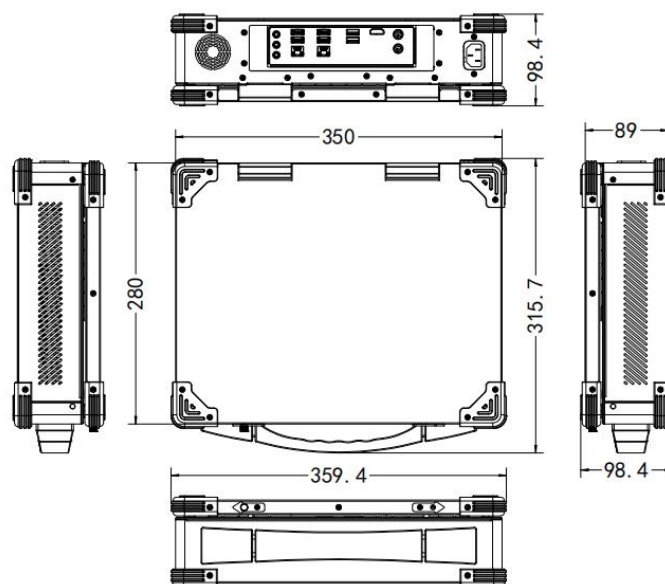
Product Features:

- Supports ITX/MATX motherboards and small 1U power supplies
- Supports 1 x 2.5-inch hard drive bay
- 13.3-inch high-definition display with 1920×1080 resolution
- VGA connection cable as standard, HDMI optional
- Made of high-quality 1.2mm galvanized steel/aluminum plate composite; keyboard panel with aluminum alloy brushed oxidation finish
- 1 x 4020 fan as standard

Product Description:

KTB-2U1303J is a rugged portable device. It has a chassis of 350mm (depth) × 280mm (width) × 89mm (height, excluding corner protectors), with a black sand-textured paint finish. The body is made of 1.2mm SGCC galvanized steel and aluminum plate, and the keyboard panel is anodized brushed aluminum alloy. It supports ITX/MATX motherboards ($\leq 245 \times 245$ mm), with a 40mm max CPU cooler height. It features 1×2.5" hard drive bay, 1×4020 fan bay, and a small 1U power bay, with no full-height expansion slots. Internal usable space is 225×245×49mm. It comes with a 13.3" 1920×1080 IPS display (VGA standard, HDMI optional), an integrated industrial keyboard with touchpad, a net weight of 4.5kg, gross weight of 6kg, and double-layer packaging of 45×39×18cm.

Dimension Drawing:



mm

支持 Micro ATX、ITX 多种规格主板的加固便携机

Specification Parameters:

Chassis Model	KTB-2U1303J
Chassis Type	Rugged Portable
Chassis Dimensions	350mm (depth) × 280mm (width) × 89mm (height) (excluding corner protectors)
Chassis Color	Black sand texture paint
Material	Body: High-quality 1.2mm SGCC galvanized steel/aluminum plate composite; Keyboard panel: Aluminum alloy with brushed oxidation finish
Motherboard Compatibility	Supports ITX and MATX motherboards (standard motherboards within 245mm × 245mm)
CPU Cooler	Maximum height: 40mm
Hard Drive Bay	Supports 1 x 2.5-inch hard drive bay
Fan Bay	1 x 4020 fan as standard
Power Supply Bay	Supports small 1U power supply bay
Expansion Slots	No full-height expansion slots
Internal Usable Space	225mm (length) × 245mm (width) × 49mm (height)
Panel Settings	Power switch, power indicator
Display	13.3-inch, 1920×1080 IPS; VGA connection cable as standard, HDMI optional
Input Device	Integrated industrial keyboard with touchpad
Net Weight	4.5kg
Gross Weight	6kg
Packaging Dimensions	45cm × 39cm × 18cm (double-layer packaging)