

# Mini industrial mainframe



## KTB-846-10U

Four network dual display mini industrial control host

Optional Intel 4/5/6/7/8/10 Core i3/i5/i7 CPU

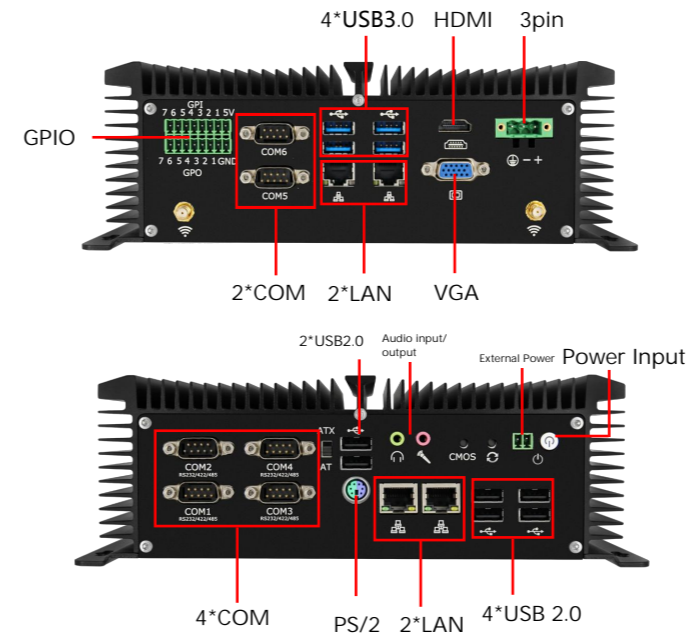
The product is an optional Intel 4/5/6/7/8/10 Core i3/i5/i7 processor dual network dual display mini industrial control host, the product is low-power fanless design, support VGA+HDMI dual display, two Intel i211/i255 gigabit network cards; 6 RS-232 serial ports (4 of which support RS485/RS422); Support watchdog key restoration, diskless startup.

This product has the advantages of stable and reliable industrial grade product performance and intelligent digital multimedia player, and can provide solutions for intelligent transportation, rail transit, industrial automation, smart factory, intelligent manufacturing, national defense, energy environment, digital control and many other fields.

## Based on 4/5/6/7/8/10th Intel Core i3/i5/i7 processor Mini PC

### Product feature :

- Optional Intel 4/5/6/7/8/10 Core i3/i5/i7 CPU
  - 4/5th -DDR3L SODIMM x1, supports up to 8GB memory
  - 6/7/8/10th-DDR4 SODIMM x 2, supports up to 32GB memory
- 6 RS-232 serial ports (4 of which support RS485/RS422)
- 2×Intel Gigabit nics/2×Intel 2.5Gnics
- One button restore, watchdog, no disk start



Model	KTB-846-10U
Processor	Optional Intel 4/5/6/7/8/10 Core i3/i5/i7 CPU
Memory	4/5th - DDR3L SODIMM x 1, up to 8GB memory 6/7/8/10th - DDR4 SODIMM×2 , up to 32GB memory
Network	2×Intel i211, 2×Intel i255V
I/O port	4×USB3.0 , 6×USB2.0 6×COM ( Four of them support RS485/RS422 ) 1×HDMI , 1×VGA 1×PS/2 ( Keyboard and mouse in one ) 14×GPIO ( Seven inputs, seven outputs ) 1×Power Button , 1×Reset Button , 1×Clear CMOS Button 1 x 3pin Phoenix terminal, support 9-36V power input 1 x headphone jack, 1 x microphone 1 x DIP switch, supporting ATX/AT boot mode selection 2 x antenna interface for WIFI/3G/4G
Storage	1×MSATA 1×M.2 NYME 2280 ( 6/7/8/10th support ) 1×HDD/SSD
Expansion slot	Mini-PCIe x 1 ½ card, support WIFI Bluetooth Mini-PCIe×1 full card (with SIM card seat), support 3G/4G module, WIFI Bluetooth
System	WIN10 , WE7/10 , LINUX
Other	Support watchdog, one key restore, no disk start
Power input	9-36V
Way to install	Supports desktop and wall-mounted installation
Dimensions	248×150×83mm
Weight	1.3Kg
Material	Aluminum
Storage temperature	-30°C to +70°C
Operating temperature	-20°C to +60°C
Storage humidity	10%~90% @30°C, non-condensing

### Ordering information:

Part No.	CPU	Memory	HDMI/VGA	MPCIE	MSATA/SATA	USB3.0	USB2.0	GbE	RS-232(RS485/RS422)
KTB-846-10U-4200	I5-4200U	SO DIMM	1/1	2	1/1	4	2	2	6(4/4)
KTB-846-10U-4500	I7-4500U	SO DIMM	1/1	2	1/1	4	2	2	6(4/4)
KTB-846-10U-6157	I3-6157U	SO DIMM	1/1	2	1/1	4	2	2	6(4/4)
KTB-846-10U-7200	I5-7200U	SO DIMM	1/1	2	1/1	4	6	2	6(4/4)
KTB-846-10U-7500	I7-7500U	SO DIMM	1/1	2	1/1	4	6	2	6(4/4)
KTB-846-10U-8550	I7-8550U	SO DIMM	1/1	2	1/1	4	6	2	6(4/4)

### dimension figure:

