

Mini industrial PC



KTB-422-8U

2 GbE ports, 2 COMs,
2 Display interfaces,
Mini industrial PC

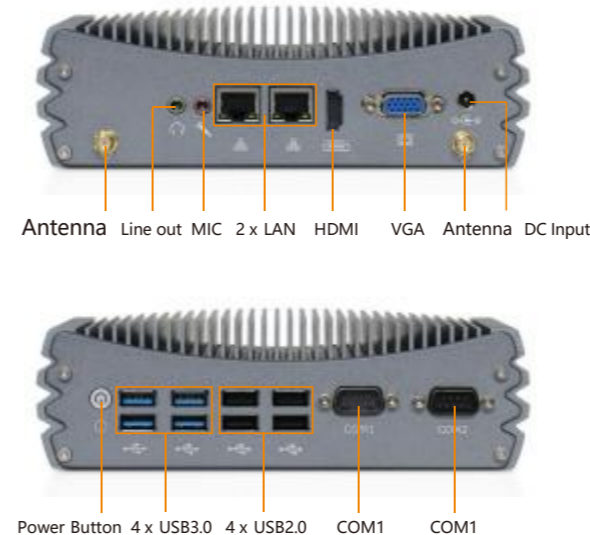
Base on 4/6/7/8/10/12/13th Intel Core i3/i5/i7 processor

This product has the advantages of stable and reliable industrial grade product performance and intelligent digital multimedia player, and can provide solutions for intelligent transportation, rail transit, industrial automation, smart factory, intelligent manufacturing, defense force, energy environment, digital control and many other fields.

Base on 4/6/7/8/10/12/13th Intel Core i3/i5/i7 processor; 2 LANs, 2 COMs

Product feature:

- Supports 4th/6th/7th/8th/10th/12th/13th Intel Core i3/i5/i7 processors
- Supports 2 DB9 RS232 COM
- Supports 2 Realtek 8111 GbE ports
- Supports 1 HDMI and 1 VGA high-definition display
- Supports watchdog timer and one click restore functionalities
- Low power consumption and fanless



Model	KTB-422-8U
Processor	I3-10110U/I5-1235 4/6/7/8/10/12/13th INTEL® Core i3/i5/i7 CPU
RAM	4th: DDR3L SO-DIMM x1 , up to 8GB 6/7/8th: DDR4 SO-DIMM x1 , up to 16GB 10/12/13th: DDR5 SO-DIMM x1 , up to 32GB
I/O	2 x GbE RJ45 Realtek 8111H 4*USB 3.0 , 4*USB 2.0 2*DB9 RS-232 1*HDMI , 1*VGA (or HDMI) 1*Power Button 1*Power Input 2*Antenna connector (support WIFI/3G/4G) 1*Audio Line-out, 1*Audio Mic-in
Storage	4th: 1* MSATA 6/7/8/10/12/13th: 1x M.2 2280(Compatible with SATA and NVMe protocol) 1* 2.5" HDD/SSD
Expansion Slot	1 * Mini PCIe Slot: Half-size or Full-size with SIM slot (Supports WIFI/3G/4G/Bluetooth)
OS	Windows® 7/8/10 , WES 7/10 , LINUX
Other features	Supports WatchDog timer and diskless boot functionalities
Power supply	12V-7A , optional
Material	High quality aluminum alloy
Installation Methods	Supports desktop and wall mounted installation methods
Dimension	182mm x 127mm x 55.5 mm
Weight	1.5 Kg
Storage Temp	-30°C to +70°C
Operating Temp	-20°C to +60°C
Storage Humidity	10%-90%@30°C ,No condensation

Ordering information:

Part No.	CPU	Memory	Graphics	MPCIE	MSATA	M.2	SATA	USB3.0	USB2.0	GbE	RS-232
KTB-422-8U-4278	I5-4278U	SODIMM	HDMI+VGA	1	1	0	1	4	4	2	2
KTB-422-8U-4578	I7-4578U	SODIMM	HDMI+VGA	1	1	0	1	4	4	2	2
KTB-422-8U-6157	I3-6157U	SODIMM	HDMI+VGA	1	0	1	1	4	4	2	2
KTB-422-8U-7287	I5-7287U	SODIMM	HDMI+VGA	1	0	1	1	4	4	2	2
KTB-422-8U-7360	I5-7360U	SODIMM	HDMI+VGA	1	0	1	1	4	4	2	2
KTB-422-8U-8250	I5-8250U	SODIMM	HDMI+VGA	1	0	1	1	4	4	2	2
KTB-422-8U-8260	I5-8260U	SODIMM	HDMI+VGA	1	0	1	1	4	4	2	2
KTB-422-8U-8565	I7-8565U	SODIMM	HDMI+VGA	1	0	1	1	4	4	2	2
KTB-422-8U-10110	I3-10110U	SODIMM	HDMI+VGA	1	0	1	1	4	4	2	2
KTB-422-8U-10210	I5-10210U	SODIMM	HDMI+VGA	1	0	1	1	4	4	2	2
KTB-422-8U-10510	I7-10510U	SODIMM	HDMI+VGA	1	0	1	1	4	4	2	2
KTB-422-8U-1215U	I3-1215U	SODIMM	HDMI+VGA	1	0	1	1	4	4	2	2
KTB-422-8U-1235U	I5-1235U	SODIMM	HDMI+VGA	1	0	1	1	4	4	2	2