

SPECIFICATONS

10mm LED Sensor Switch Series (Central Control)



Item No.: SJ5 Series

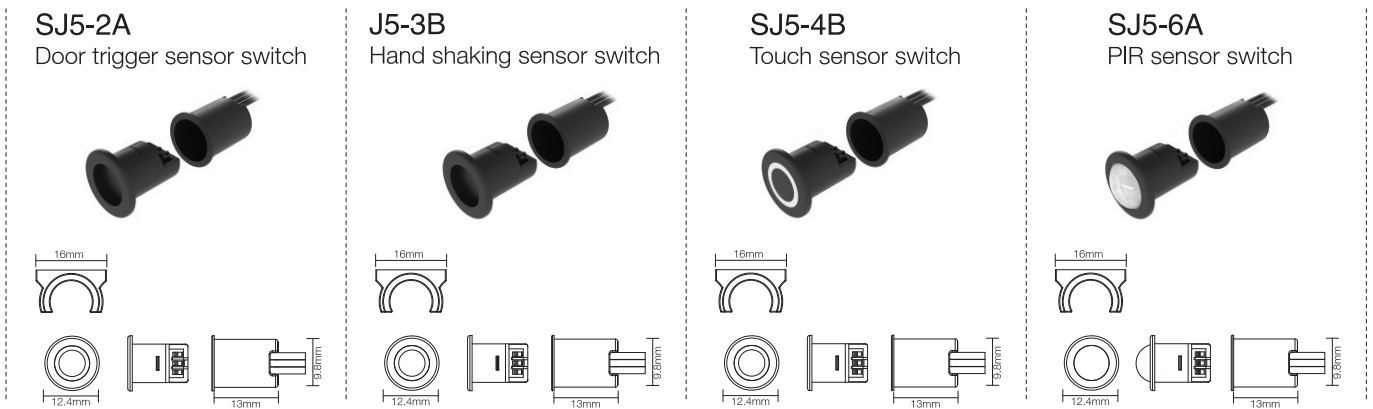
Version: V1

Date: 2025-11-16

Product Picture

10MM LED SENSOR SWITCH SERIES (LED Central controlling sensor switch series)

10mm series have different functions. The Cut-out 10mm for sensors are unified. The sensor Watt is depended on led driver itself.



Model	Hole Size	Input Voltage	Function	Material	Installation
SJ5-2A	φ 10X13mm	DC12V/24V	Sensing distance 5~8cm	Plastic, Black/White	Recessed/Surfaced
SJ5-3B	φ 10X13mm	DC12V/24V	Sensing distance 5~8cm	Plastic, Black/White	Recessed/Surfaced
SJ5-4B	φ 10X13mm	DC12V/24V	ON/OFF/Dimmer	Plastic, Black/White	Recessed/Surfaced
SJ5-6A	φ 10X13mm	DC12V/24V	Sensing time 30s	Plastic, Black/White	Recessed/Surfaced

Product Details & Feature

Example: SJ5-4B

1. Mini Shape, Only 10mm in diameter, 13mm in Thickness (Shortest in the market).
2. Sleeve-Type Design with detachable sensor head, Easy to install and after-service.
3. Including different functions: Touch, Hand shaking, Door Trigger, PIR, etc.
4. The door sensor switch automatically turns off the light after 1 hour if it keeps on mode.
5. The touch switch and hand wave switch support power-off memory (brightness / status).
6. The touch switch features a blue indicator LED, it can turns off after your keep touching for 3S in Off Mode.
7. Separate and central control both.



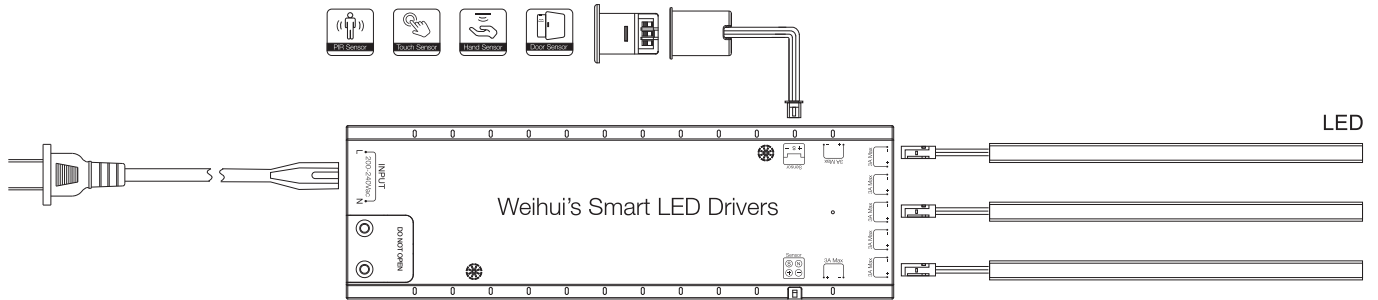
Connection Diagram

Smart LED Driver

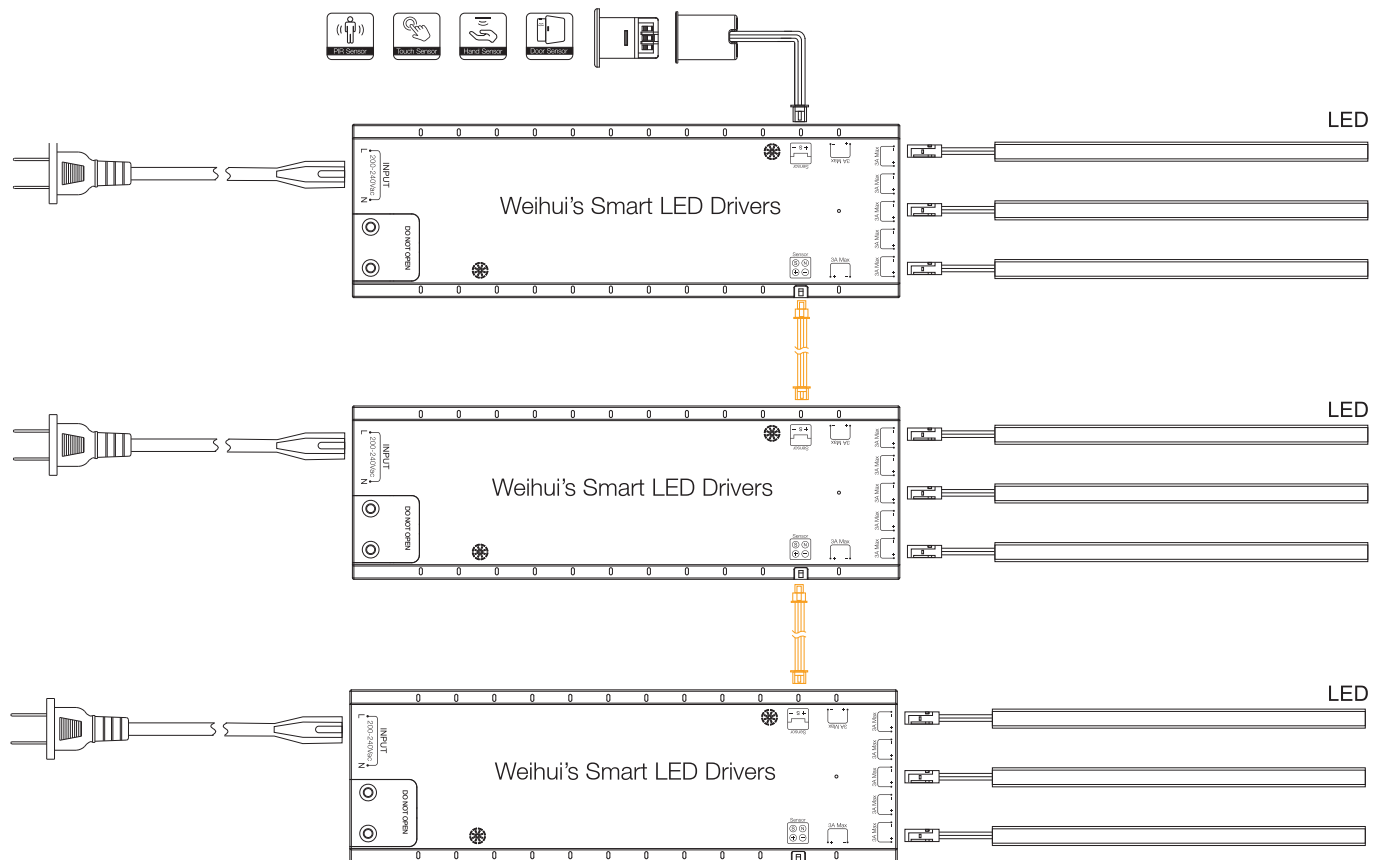
Connection Diagram: Weihui's Smart LED Driver + Central controlling LED Sensor Switches System

(One sensor can control all led output in led driver)

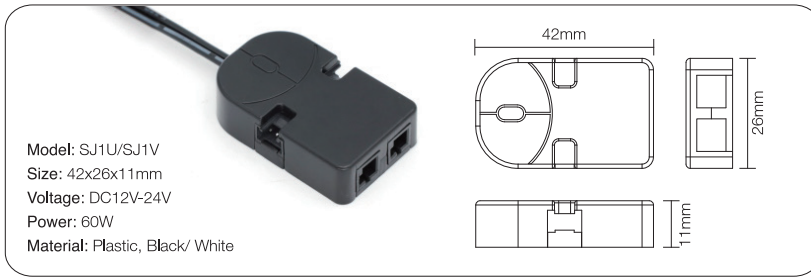
One Power supply:



Two or more Power supplies:



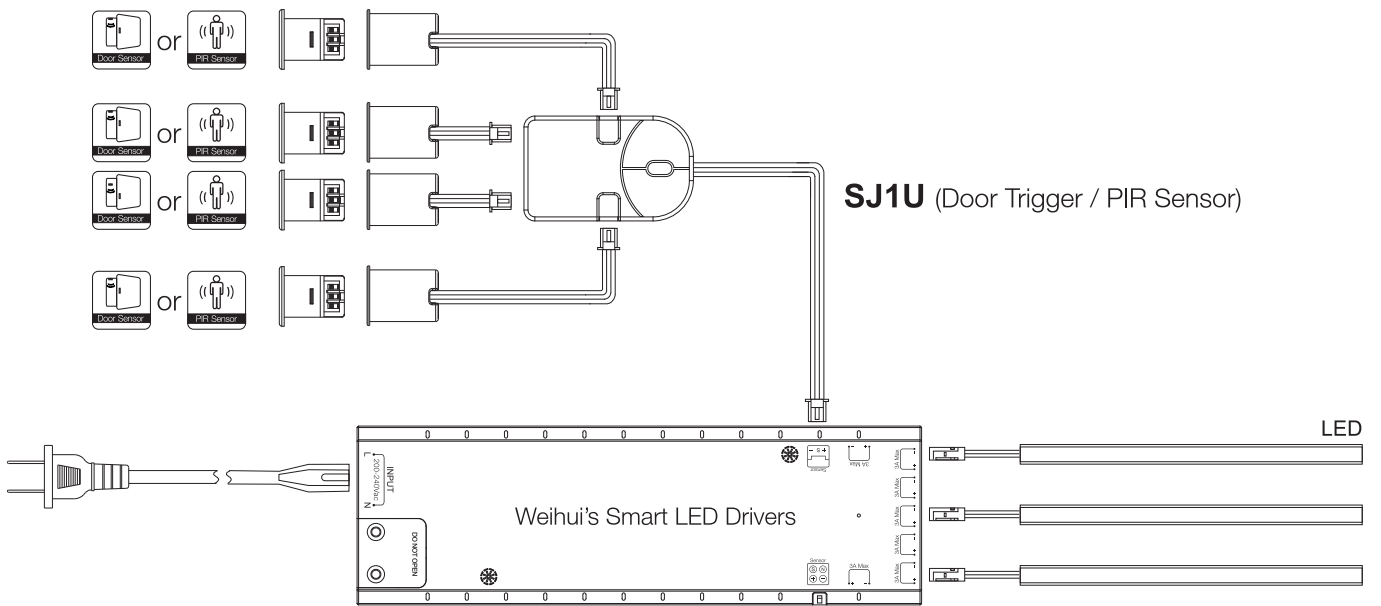
Multi head by Mouse box(SJ1U/SJ1V)



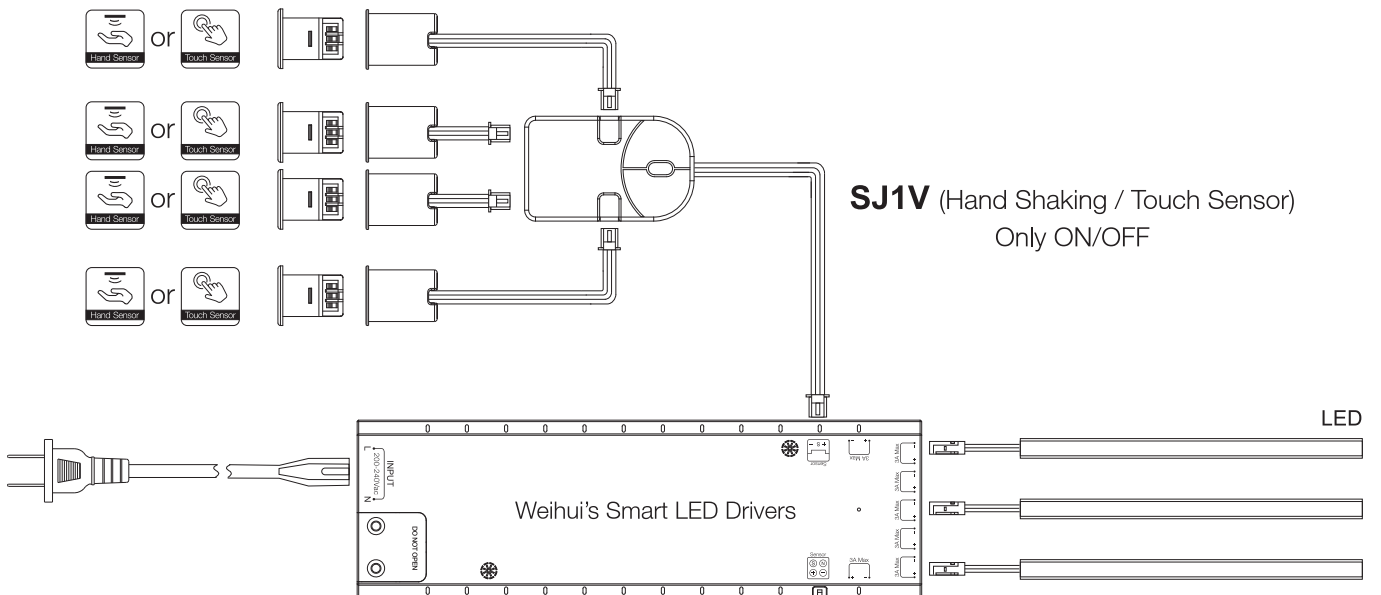
SJ1U (Door Trigger / PIR Sensor)

SJ1V (Hand Shaking / Touch Sensor)

SJ1U: Multi Door or PIR Sensor in one Mouse box from 1 to 4 pcs sensing head

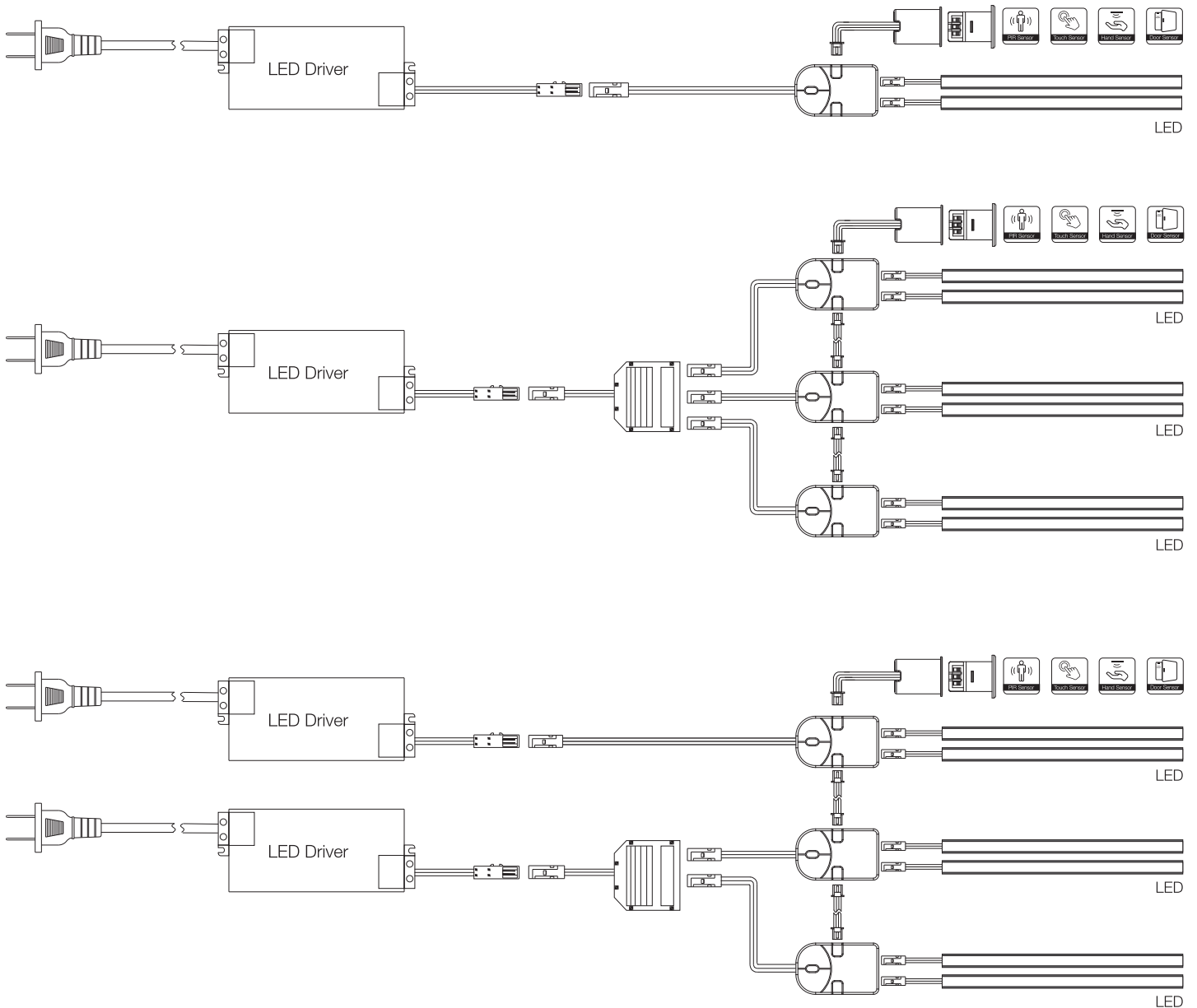
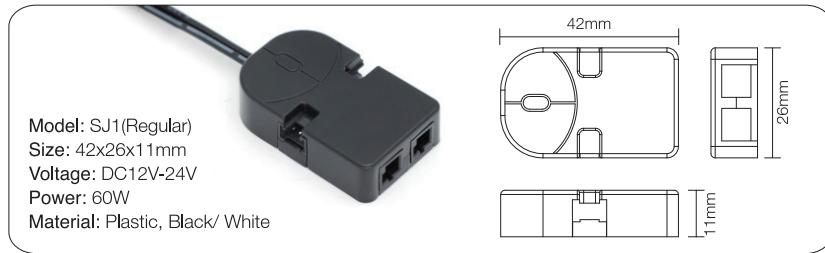


SJ1V: Multi Shaking or Touch Sensor in one Mouse box from 1 to 4 pcs sensing head



Regular LED Driver by Mouse box-SJ1

Centralized control to decentralized control



NOTES

1. For indoor use only.
2. Do not disassemble the product.
3. Do not install the switch in water dropping place.
4. Use a dry cloth, never a strong cleaning agent.
5. Replace all set switch device if case of quality or malfunction.