

SPECIFICATIONS

High Voltage Sensor Switch Series
(Regular IR Series)

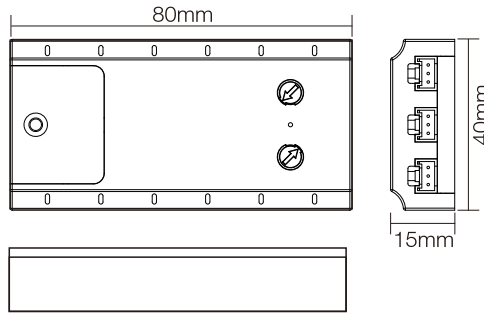


Item No.: SG2

Version: V1

Date: 2025-12-20

SG2 High Voltage Sensor Switch Series (Regular IR Series)



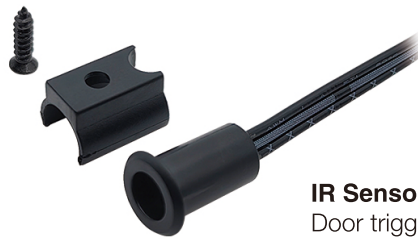
Model : SG2

Size : 80x40x15mm

Voltage: AC100-240V

Max Load: 300W

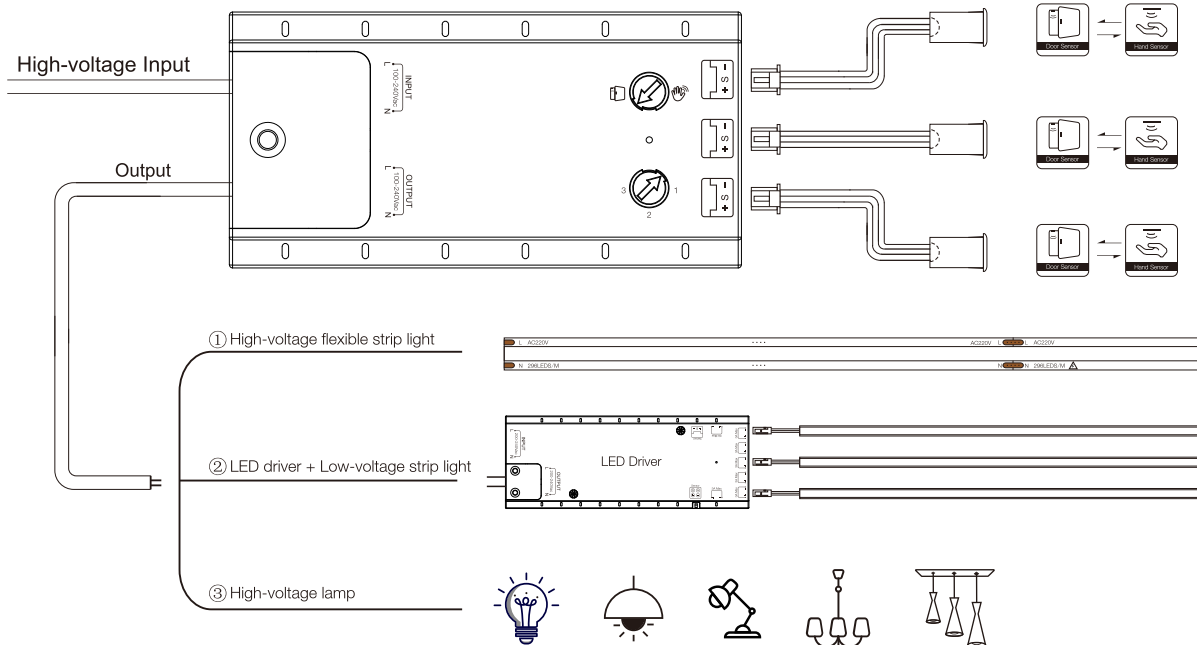
Material : Plastic, Black / White



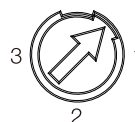
IR Sensor Switch (8mm)

Door trigger & Hand shaking delay sensor switch

High voltage IR Sensor switches can exchange function between hand shaking and door trigger, Multi head from 1 to 3 by rotating the knob.

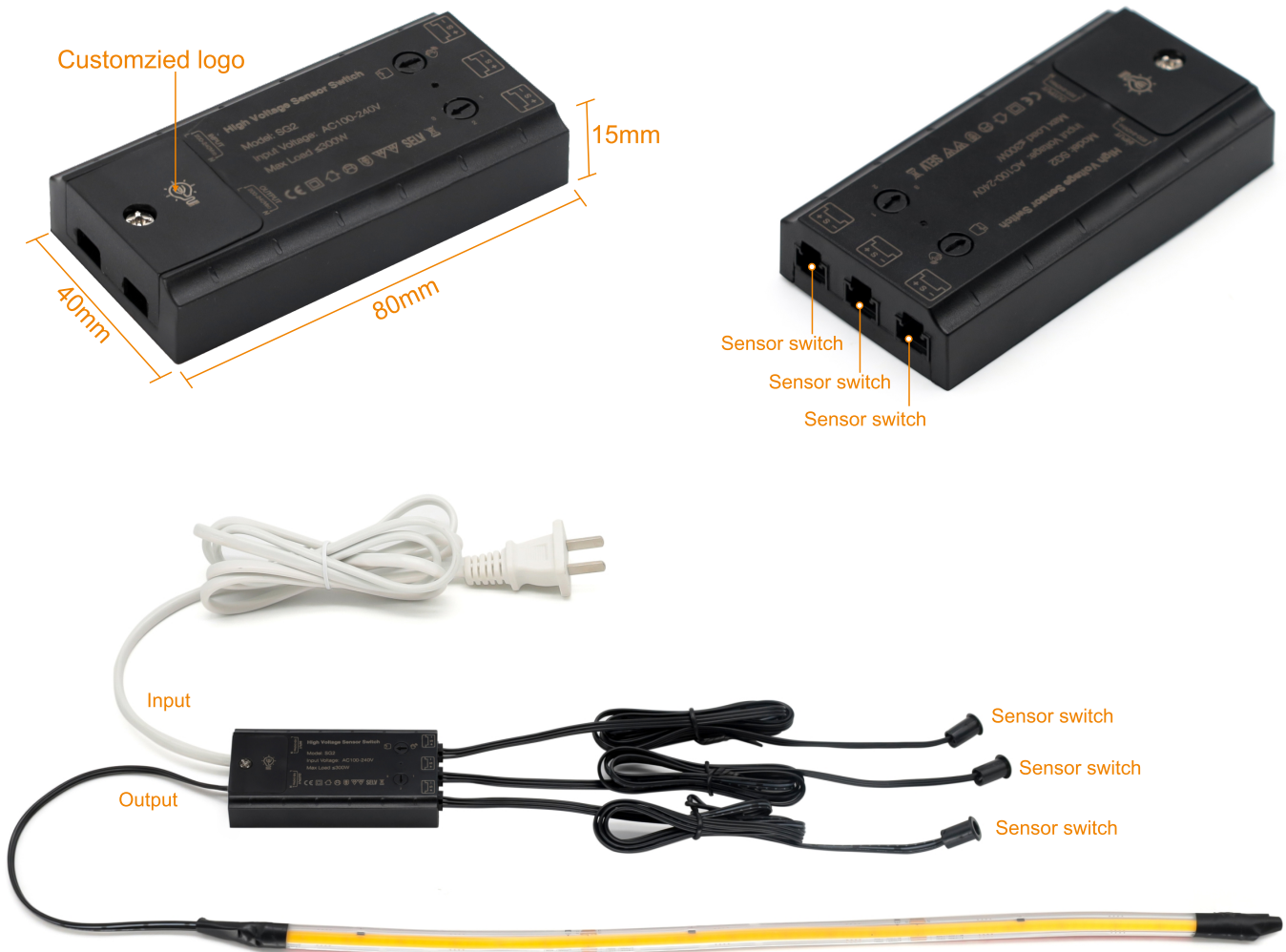


Different Function by Rotating the knob
Mode 1: Hand shaking
Mode 2: Door Trigger



Multi Head options by Rotating the knob
Mode 1: One Head
Mode 2: Double Head
Mode 3: Triple Head

Details



NOTES

1. For indoor use only.
2. Do not disassemble the product.
3. Do not install the switch in water dropping place.
4. Use a dry cloth, never a strong cleaning agent.
5. Replace all set switch device if case of quality or malfunction.