



OEM/ODM

Professional Lighting Product Manufacturer

1. One-Stop OEM/ODM Manufacturing Service
2. DESIGN- MOULD- DIE-CASTING - ASSEMBLY
- 3.80% Our Own Private Model
4. More than 10 years experienced R&D team
5. New Product Launch Every Week
6. Sample processing time: 3-5 days
7. Bulk orders: 15-20 days

14^{+years}
Production experience

3000^{+m²}
Factory space

50⁺
Patent certificate

100⁺
Projects

10000^{+pcs}
Daily output value

100⁺
Service country



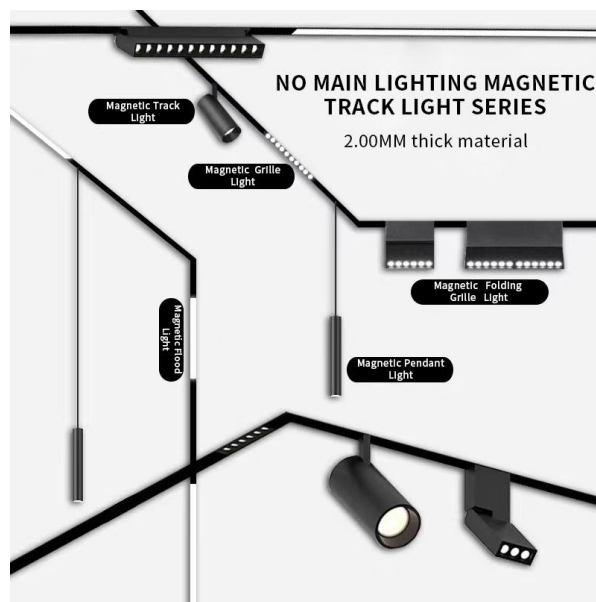
Dongguan Fitlight Lighting Co.,Ltd.

Add: 10th floor, building C1, Songhu Zhigu building, No. 9, Yanhe South Road, Liaobu Town, Dongguan City, Guangdong Province, China.

Email : liu@fitlight-tech.com URL: www.fitlight-tech.com / <https://fitlight.en.alibaba.com>

Features and Benefits

- Light source: OSRAM COB LED
- Long LED life: More than 50,000 hours
- Low heat, less than 60°C
- No UV or IR light radiation
- No mercury or other inorganic
- Homogeneous flood illumination
- Machined aluminum heat fins with excellent thermal efficiencies
- The LED magnetic lamps are available in the following white color temperatures:
3000/4000/6000K
- 3 or 5 years limited warranty
- 48V safety voltage, the light can be moved manual, no contact hazard



Typical Applications

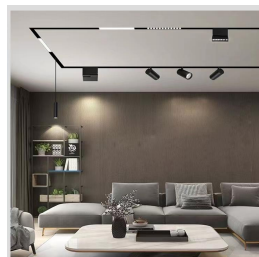
- Spot lighting
- Retail Store lighting
- Commercial lighting
- Residential lighting
- General lighting
- Energy Saving Programs
- Sustainable Energy



Magnetic Pendant Light



Magnetic Track Light



Magnetic Folding Grille Light



Magnetic Grille Light

Dongguan Fitlight Lighting Co.,Ltd.

Add: 10th floor, building C1, Songhu Zhigu building, No. 9, Yanhe South Road, Liaobu Town, Dongguan City, Guangdong Province, China.

Email : liu@fitlight-tech.com URL: www.fitlight-tech.com / <https://fitlight.en.alibaba.com>

PRODUCT SPECIFICATIONS

| | |
|--------------------------------|--|
| LAMP TYPE | Magnetic Lamps Series |
| LIGHT SOURCE | OSRAM COB LED |
| VARIOUS STYLES PROVIDED | Multiple magnetic suction series lamps can be combined and matched (1) Magnetic Folding Grille Light (2) Magnetic Grille Light (3) Magnetic Track Light (4) Magnetic Flood Light (5) Magnetic Pendant Light |
| RENDERING INDEX (Ra) | >90Ra |
| Color Temperature | 3000/4000/6000K(Single CCT); TUYA(Bluetooth/Zigbee):2700K-6000K |
| Efficiency | 50lm/w |
| OPTICS | Aluminum coating lens |
| HEATSINK | Machined pure aluminum with anodize finish |
| BASE TYPE | Internal Driver,48V Low Safety Voltage |
| CONTROL | Tuya (Bluetooth/Zigbee) |

Main Features of Magnetic Track Lighting System

1. Ultra-safe Low Voltage: Adopt DC 48V low-voltage power supply, no risk of electric shock, safer for installation, use and later adjustment, in line with international safety standards.
2. Flexible Installation & Positioning: No need for complicated wiring, fixtures can be adsorbed and moved at any position on the track, and the lighting angle can be adjusted freely to meet different lighting needs.
3. Easy Installation & Dismantling: Magnetic suction design, fixtures can be installed or removed in seconds, no professional tools required, very convenient for later replacement and renovation.
4. Modular Combination: A variety of magnetic fixtures (magnetic flood lights, magnetic grille lights, magnetic track spotlights, and magnetic pendant lights, etc.) can be freely matched on the same track, realizing diversified lighting effects.
5. Stable & Durable: High-quality conductive copper bars and magnetic structure ensure stable current transmission, no poor contact, long service life.

Dongguan Fitlight Lighting Co.,Ltd.

Add: 10th floor, building C1, Songhu Zhigu building, No. 9, Yanhe South Road, Liaobu Town, Dongguan City, Guangdong Province, China.

Email : liu@fitlight-tech.com URL: www.fitlight-tech.com / <https://fitlight.en.alibaba.com>

6. Wide Application: Suitable for commercial spaces (stores, offices, exhibition halls) and home spaces (living rooms, bedrooms, corridors), with strong decorative and practicality.

The magnetic track lighting system cannot work with only track rails and light fixtures; it also requires a complete set of supporting components, including power supplies, connection modules, conductive modules, end caps, and installation accessories.

1. Magnetic LED Driver (Power Supply)

We normally provide 100W and 200W drivers, and the selection depends on your total load power:

- Calculate the total wattage of all magnetic lights on one single track circuit.
- If the total power is $\leq 100W$, a 100W driver is sufficient.
- If total power exceeds 100W, we recommend using a 200W driver.

Please note that one track circuit should be matched with one corresponding driver to ensure stable and safe operation.

2. Conductive & Connection Modules

Besides the track and lights, conductive modules and connection modules are essential to transmit power and connect track sections properly. These components ensure electrical conductivity and mechanical stability between track rails.

3. Installation Accessories for Track

We have connectors for horizontal installation and vertical installation, which should be chosen based on your actual installation layout and design.

- Using mismatched accessories may lead to unstable installation or difficulty in fitting.

Dongguan Fitlight Lighting Co.,Ltd.

Add: 10th floor, building C1, Songhu Zhigu building, No. 9, Yanhe South Road, Liaobu Town, Dongguan City, Guangdong Province, China.

Email : liu@fitlight-tech.com URL: www.fitlight-tech.com / <https://fitlight.en.alibaba.com>

4. End Caps

End caps are only required for the two open ends of each continuous track run, mainly for a clean finish and electrical safety.

1. Single straight track

If you install one single straight track rail, only the head and tail ends need to be fitted with end caps. The middle connection part between track sections does NOT need end caps.

2. Multiple separate straight tracks

If your design includes several independent straight track lines, each separate track only needs end caps on its own starting end and finishing end.

You do NOT need to install end caps between connected track sections or at joints.

Multiple Dimming Solutions

We support a full range of dimming methods:

- 0-10V dimming
- DALI dimming
- Smart dimming & color control via Tuya
- Smart Lighting Control

CCT intelligent adjustable The color of the light can be adjusted to suit your preference, with a range of 3000K to 6000K.

Intelligent Dimming The brightness of the light can be adjusted, ranging from 1% to 100%.

The smart version is compatible with the Tuya ecosystem, allowing adjustable color temperature (CCT) and brightness through mobile APP or smart control panels, creating comfortable and customizable lighting atmospheres.

Dongguan Fitlight Lighting Co.,Ltd.

Add: 10th floor, building C1, Songhu Zhigu building, No. 9, Yanhe South Road, Liaobu Town, Dongguan City, Guangdong Province, China.

Email : liu@fitlight-tech.com URL: www.fitlight-tech.com / <https://fitlight.en.alibaba.com>



48V LOW-VOLTAGE
MAGNETIC TRACK LIGHT

Support 0-10V, DALI, Tuya, Zigbee, Home for dimming and smart home integration

- Magnetic Flood Light
- Magnetic grille light
- Magnetic foldable grille light
- Magnetic track light
- Magnetic pendant light

Smart Lights
On/Off
100%
Temperature
Brightness
100%
Dimming

WiFi Tuya Bluetooth zigbee DALI 0-10V

Dongguan Fitlight Lighting Co.,Ltd.

Add: 10th floor, building C1, Songhu Zhigu building, No. 9, Yanhe South Road, Liaobu Town, Dongguan City, Guangdong Province, China.

Email : liu@fitlight-tech.com URL: www.fitlight-tech.com / <https://fitlight.en.alibaba.com>

VARIOUS STYLES PROVIDED

**FULL RANGE OF STYLES
FREE COMBINATION AND MATCHING**



Magnetic Flood Light **Magnetic Grille Light** **Magnetic Foldable grille Light** **Magnetic Track Light** **Magnetic Pendant Light**

Dongguan Fitlight Lighting Co.,Ltd.

Add: 10th floor, building C1, Songhu Zhigu building, No. 9, Yanhe South Road, Liaobu Town, Dongguan City, Guangdong Province, China.

Email : liu@fitlight-tech.com URL: www.fitlight-tech.com / <https://fitlight.en.alibaba.com>

48V LOW-VOLTAGE

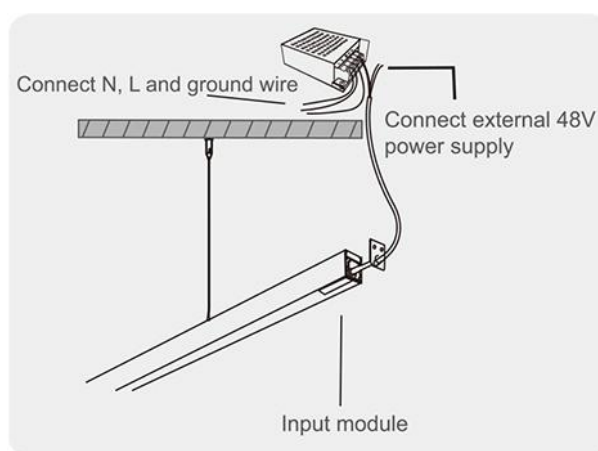
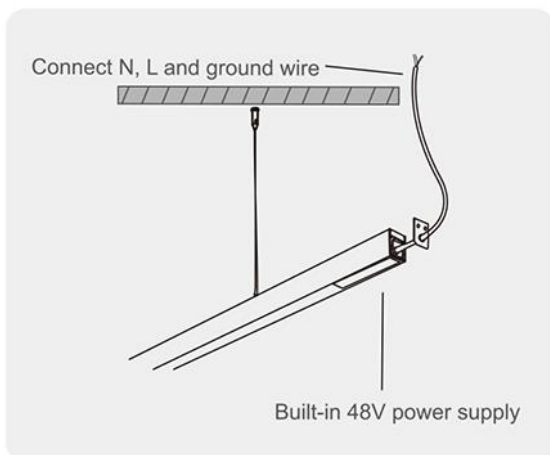
MAGNETIC TRACK LIGHT

Support 0-10V, DALI, Tuya, Zigbee, Home for dimming and smart home integration

- Magnetic Flood Light
- Magnetic grille light
- Magnetic foldable grille light
- Magnetic track light
- Magnetic pendant light



CONNECTION MODE

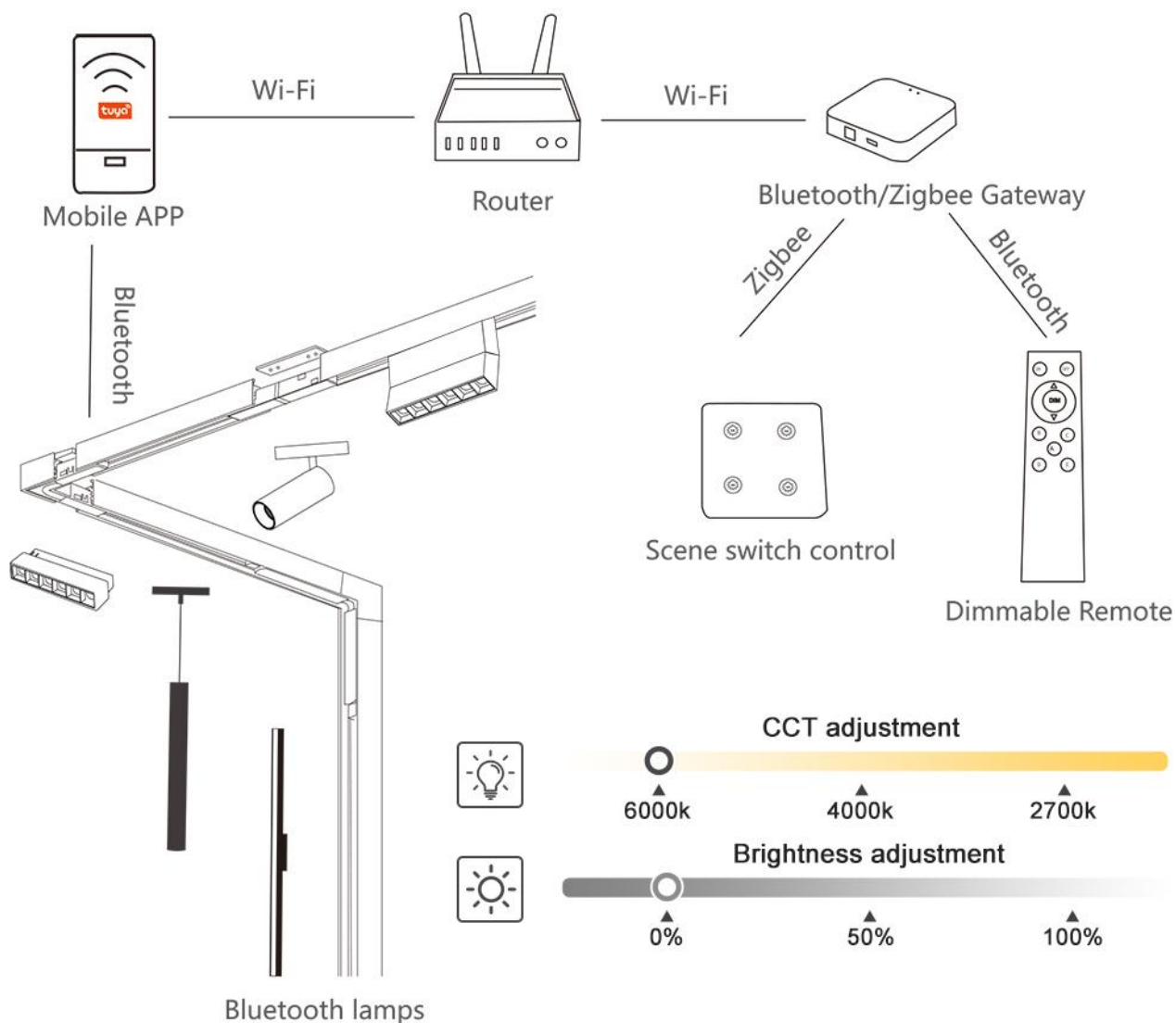


Dongguan Fitlight Lighting Co.,Ltd.

Add: 10th floor, building C1, Songhu Zhigu building, No. 9, Yanhe South Road, Liaobu Town, Dongguan City, Guangdong Province, China.

Email : liu@fitlight-tech.com URL: www.fitlight-tech.com / <https://fitlight.en.alibaba.com>

SMART CONTROL



Dongguan Fitlight Lighting Co.,Ltd.

Add: 10th floor, building C1, Songhu Zhigu building, No. 9, Yanhe South Road, Liaobu Town, Dongguan City, Guangdong Province, China.

Email : liu@fitlight-tech.com URL: www.fitlight-tech.com / <https://fitlight.en.alibaba.com>

| MAGNETIC LAMP PARAMETERS | | | |
|---|-------------------------------|-------------------------|--|
| Product display | name | power | Product size |
|  | Magnetic Flood Light | 10W 20W 30W | L307*W22*H25mm L607*W22*H25mm L907*W22*H25mm |
|  | Magnetic Grille Light | 6W 12W 18W 24W | L115*W22*H25mm L223*W22*H25mm L331*W22*H25mm L439*W22*H25mm |
|  | Magnetic Track Light | 5W 10W 18W 20W | Ø35*H80mm Ø45*H100mm Ø55*H109mm Ø65*H120mm |
|  | Magnetic Folding Grille Light | 6W 12W 18W | L113*W22*H82mm L226*W22*H82mm L334*W22*H82mm |
|  | Magnetic Pendant Light | 6W 10W 12W | φ30*L300mm φ40*L300mm φ60*L300mm |

Dongguan Fitlight Lighting Co.,Ltd.

Add: 10th floor, building C1, Songhu Zhigu building, No. 9, Yanhe South Road, Liaobu Town, Dongguan City, Guangdong Province, China.

Email : liu@fitlight-tech.com URL: www.fitlight-tech.com / <https://fitlight.en.alibaba.com>

DIVERSIFIED SELECTION OF MAGNETIC LIGHTING LAMPS

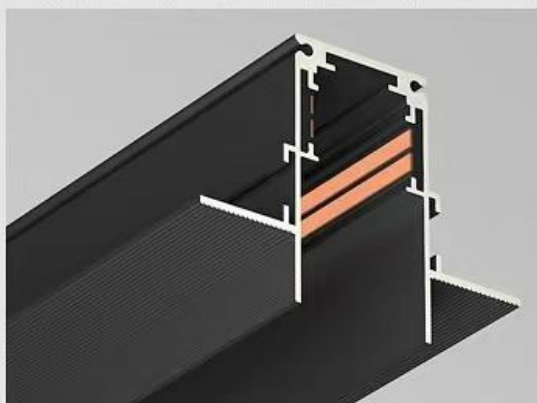


MAGNETIC CEILING RAIL LAMP / FREE COLLOCATION

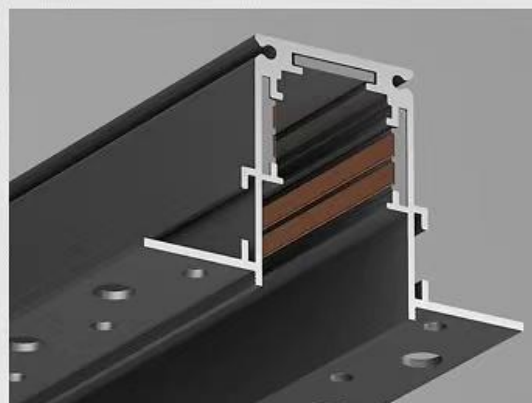
Step 1: Select the appropriate track type

Recessed Mounted/Plaster Mounted/Surface Mounted/Suspending

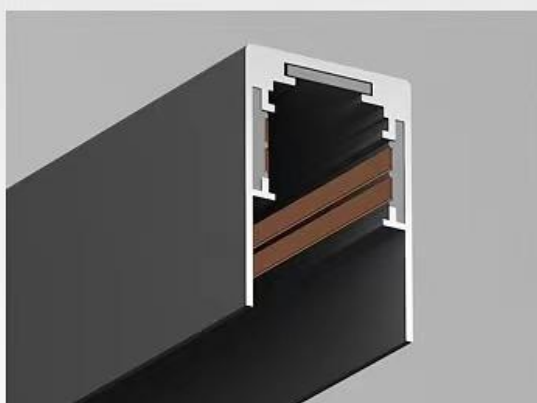
Four types of tracks can be easily adapted to new and old houses based on the decoration environment and installation options



Embedded Recessed Gypsum
Board Track Rail



Plaster Recessed Track Rail



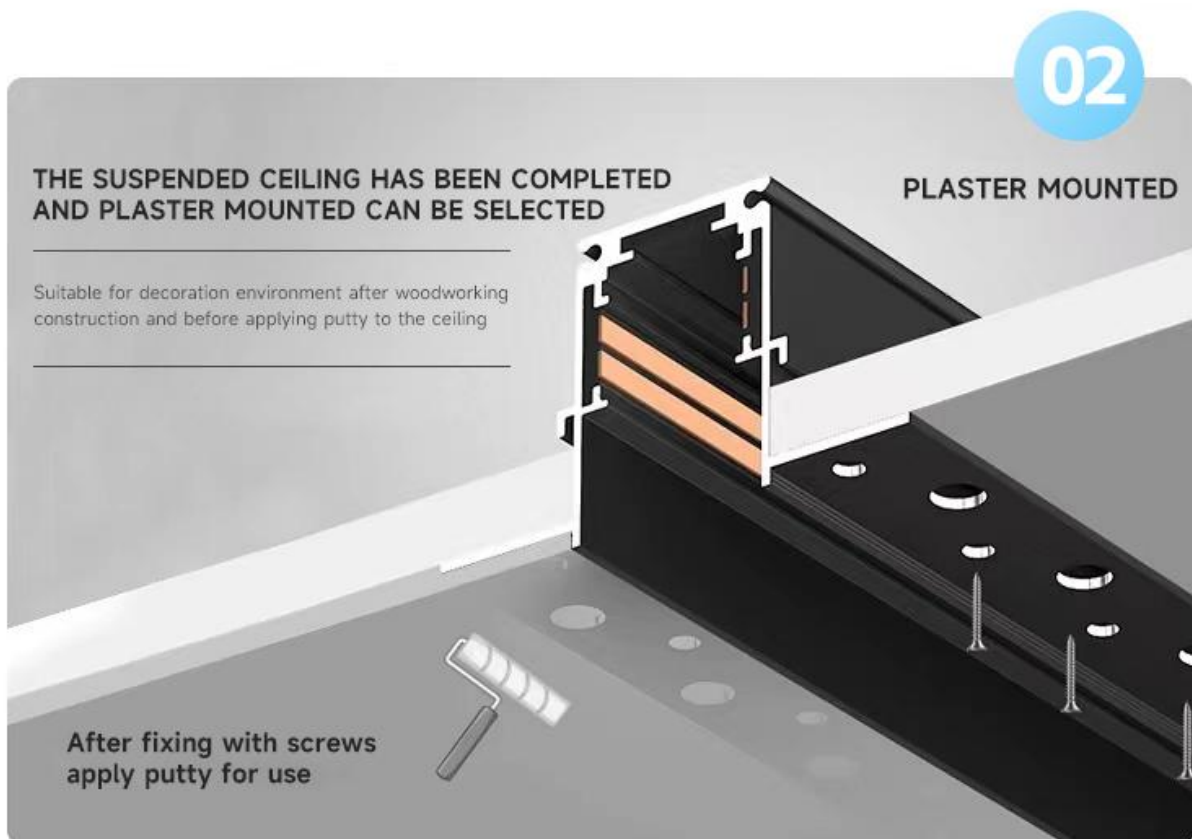
Surface Mounted Track Rail



Suspending Track Rail

★ The depth of Recessed Mounted/Plaster Mounted
suspended ceiling must be higher than 5.5cm

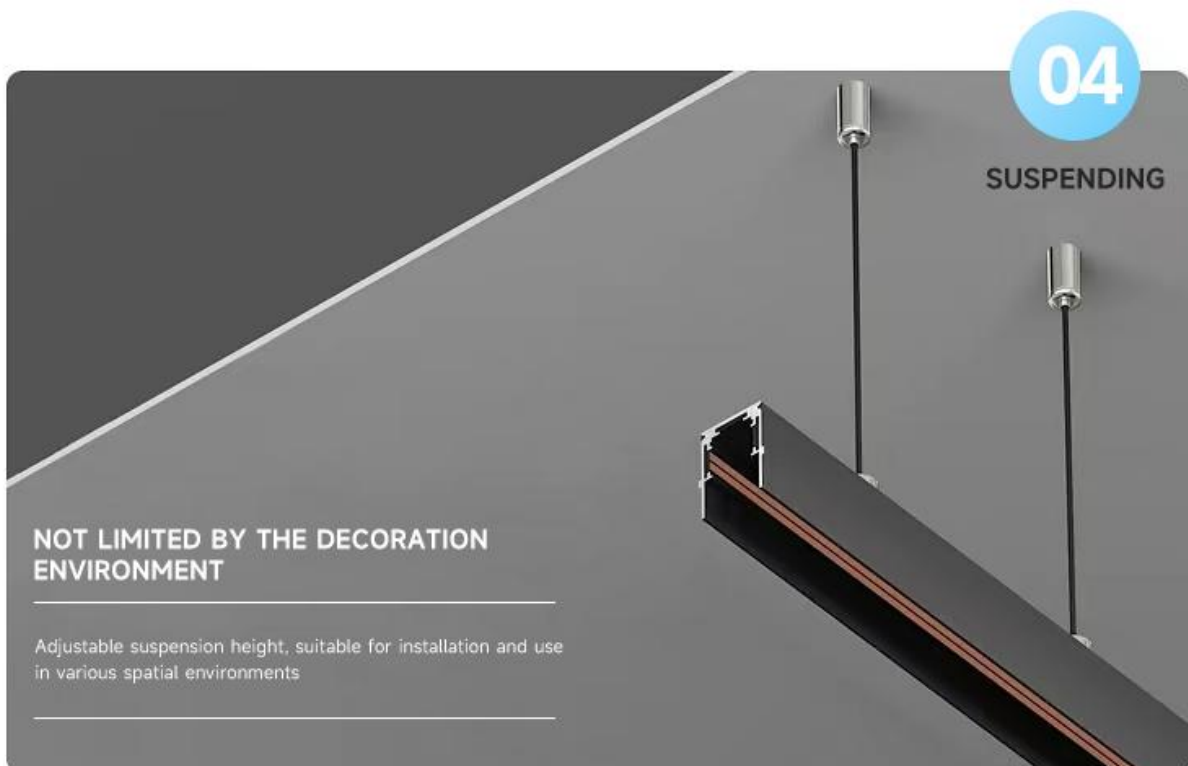




Dongguan Fitlight Lighting Co.,Ltd.

Add: 10th floor, building C1, Songhu Zhigu building, No. 9, Yanhe South Road, Liaobu Town, Dongguan City, Guangdong Province, China.

Email : liu@fitlight-tech.com URL: www.fitlight-tech.com / <https://fitlight.en.alibaba.com>



Dongguan Fitlight Lighting Co.,Ltd.

Add: 10th floor, building C1, Songhu Zhigu building, No. 9, Yanhe South Road, Liaobu Town, Dongguan City, Guangdong Province, China.

Email : liu@fitlight-tech.com URL: www.fitlight-tech.com / <https://fitlight.en.alibaba.com>

STEP 2: SELECT THE REQUIRED LIGHT SOURCE

For more lamp matching solutions, please consult customer service
Professional lighting designers provide you with free lighting solutions that are more suitable for your home scene



Magnetic Track Light

Multi angle adjustable, precise lighting wall washing, lighting, and key lighting



Magnetic Pendant Light

Downlight spotlight suitable for restaurants, bars, bedside, etc



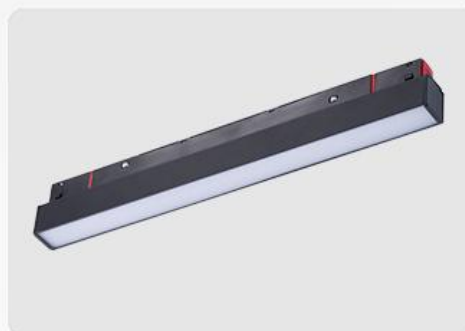
Magnetic Grille Light

Spotlight source, grille anti glare cup Basic Lighting/Space Lighting



Magnetic Foldable Grille Light

Multi angle adjustable, precise lighting wall washing, lighting, and key lighting



Magnetic Flood Light

Multi angle adjustable, precise lighting wall washing, lighting, and key lighting



Magnetic power supply 100W



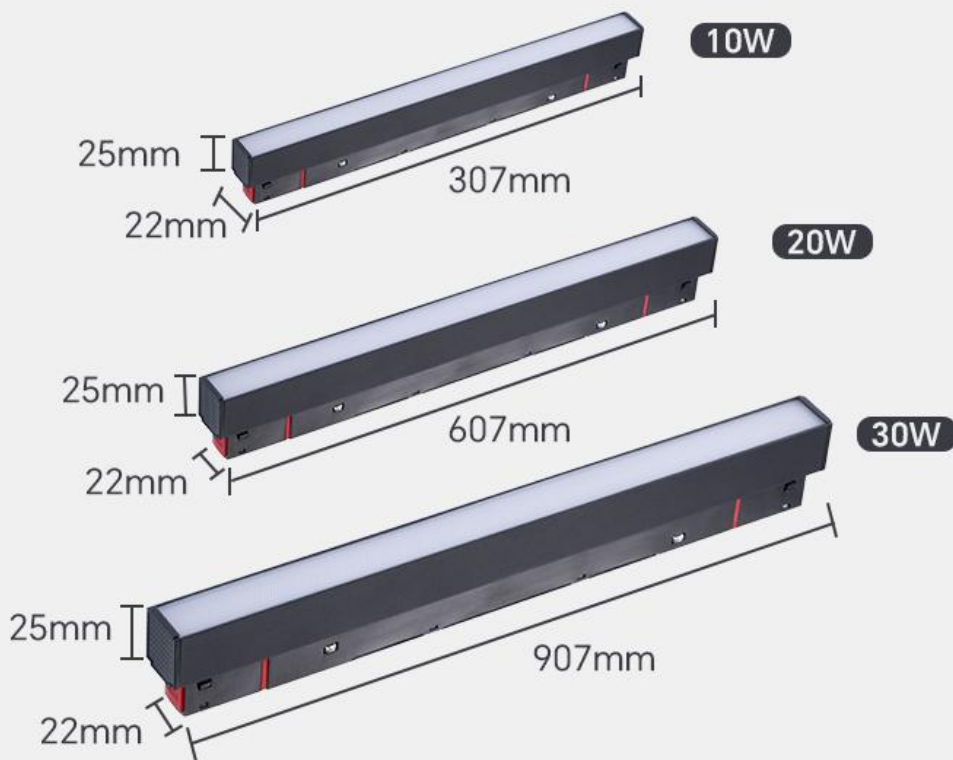
Magnetic power supply 200W

Dongguan Fitlight Lighting Co.,Ltd.

Add: 10th floor, building C1, Songhu Zhigu building, No. 9, Yanhe South Road, Liaobu Town, Dongguan City, Guangdong Province, China.

Email : liu@fitlight-tech.com URL: www.fitlight-tech.com / <https://fitlight.en.alibaba.com>

PRODUCT PARAMETERS



Magnetic Flood Light

| | |
|--------------------|-------------------------------|
| Power: 10W/20W/30W | CCT: 3000K/4000K/6000K |
| Driver: 48V | LED Chip: OSRAM , CRI > 90 |
| Beam Angle: 120° | Material: Aluminum+PC Acrylic |

Dongguan Fitlight Lighting Co.,Ltd.

Add: 10th floor, building C1, Songhu Zhigu building, No. 9, Yanhe South Road, Liaobu Town, Dongguan City, Guangdong Province, China.

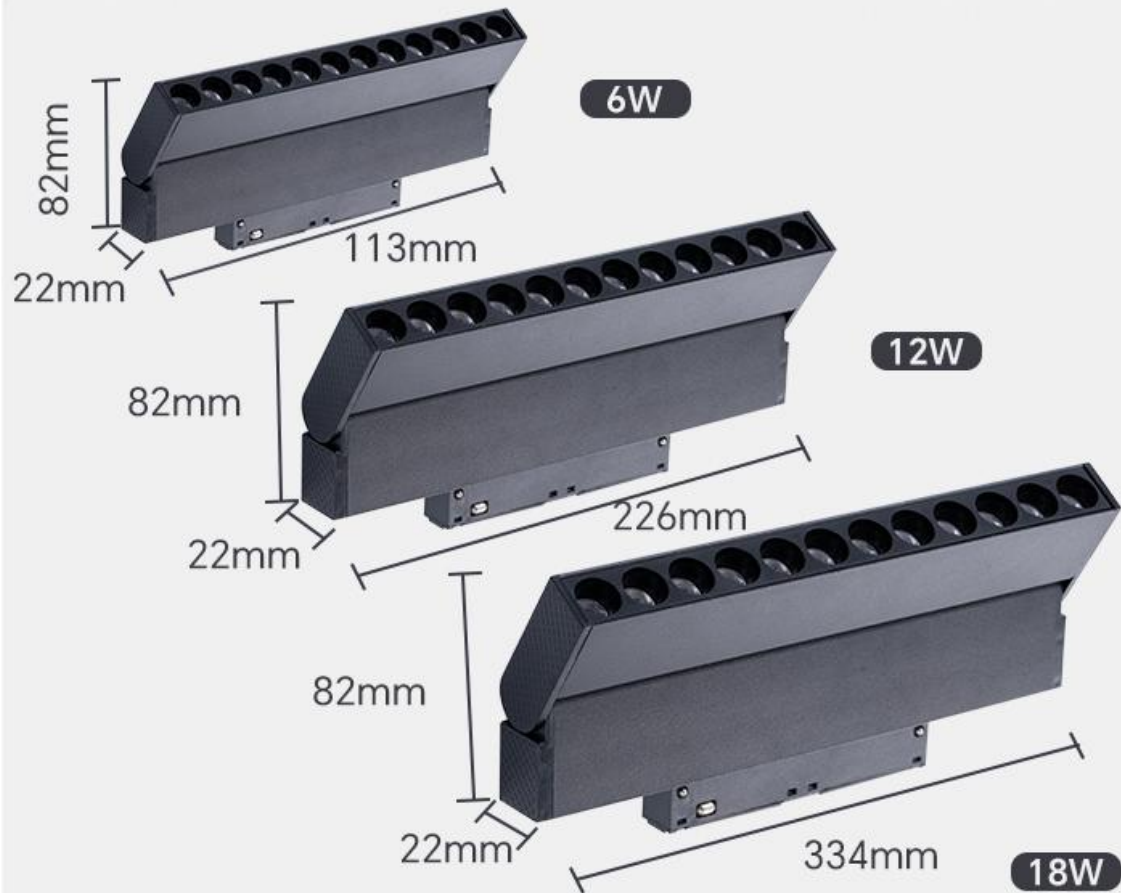
Email : liu@fitlight-tech.com URL: www.fitlight-tech.com / <https://fitlight.en.alibaba.com>



Dongguan Fitlight Lighting Co.,Ltd.

Add: 10th floor, building C1, Songhu Zhigu building, No. 9, Yanhe South Road, Liaobu Town, Dongguan City, Guangdong Province, China.

Email : liu@fitlight-tech.com URL: www.fitlight-tech.com / <https://fitlight.en.alibaba.com>



Magnetic Folding Grille Light

| | |
|-------------------|----------------------------|
| Power: 6W/12W/18W | CCT: 3000K/4000K/6000K |
| Driver: 48V | LED Chip: OSRAM , CRI > 90 |
| Beam Angle: 24° | Material: Aluminum |

Dongguan Fitlight Lighting Co.,Ltd.

Add: 10th floor, building C1, Songhu Zhigu building, No. 9, Yanhe South Road, Liaobu Town, Dongguan City, Guangdong Province, China.

Email : liu@fitlight-tech.com URL: www.fitlight-tech.com / <https://fitlight.en.alibaba.com>

The image displays four different models of magnetic track lights, each shown with its dimensions and power rating. The lights are black and cylindrical, mounted on a track. The dimensions are as follows:

- 5W:** 80mm length, 35mm height.
- 10W:** 100mm length, 45mm height.
- 18W:** 109mm length, 55mm height.
- 20W:** 120mm length, 65mm height.

Magnetic Track Light

| | |
|-----------------------|----------------------------|
| Power: 5W/10W/18W/20W | CCT: 3000K/4000K/6000K |
| Driver: 48V | LED Chip: OSRAM , CRI > 90 |
| Beam Angle: 24° | Material: Aluminum |

Dongguan Fitlight Lighting Co.,Ltd.

Add: 10th floor, building C1, Songhu Zhigu building, No. 9, Yanhe South Road, Liaobu Town, Dongguan City, Guangdong Province, China.

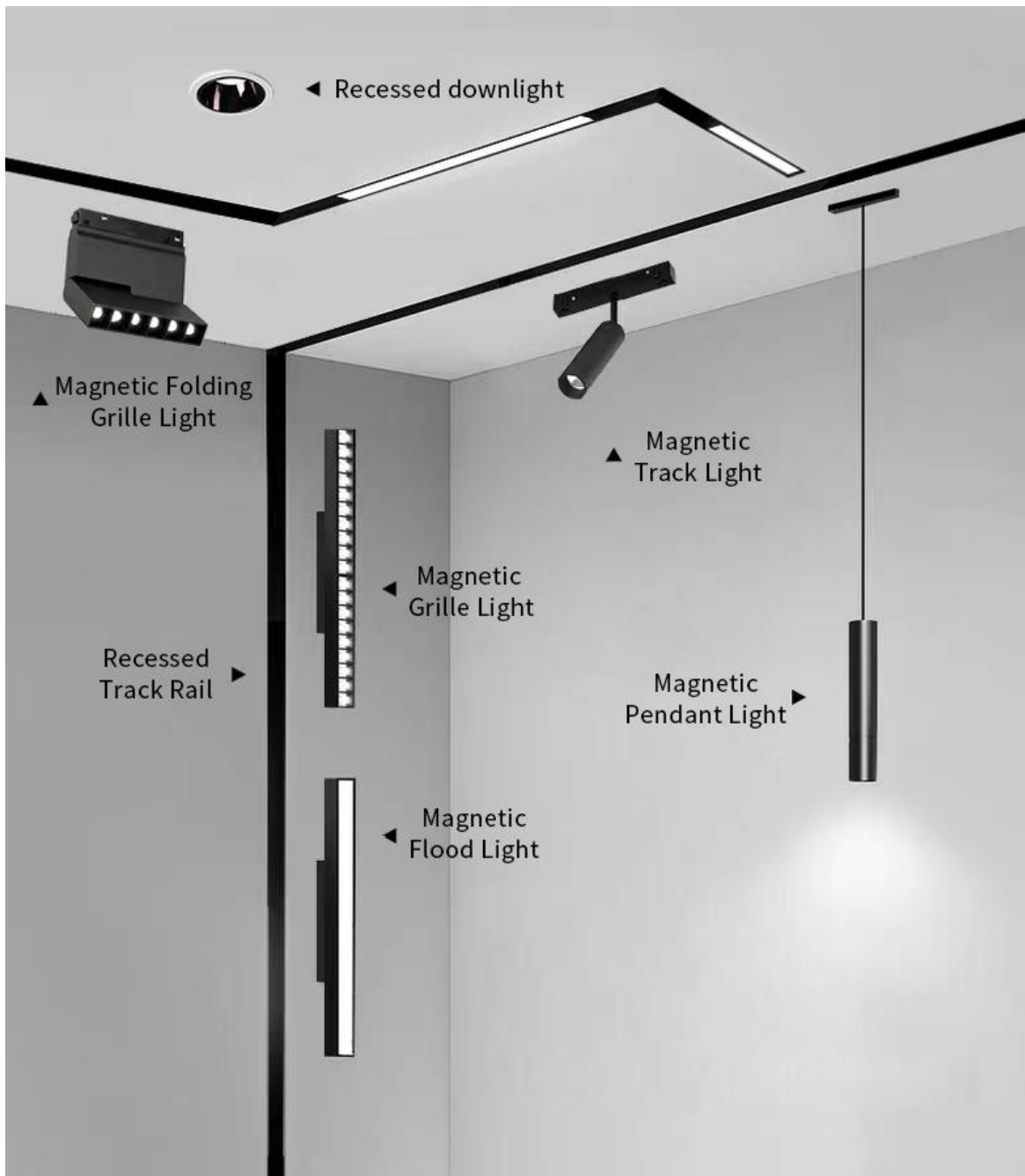
Email : liu@fitlight-tech.com URL: www.fitlight-tech.com / <https://fitlight.en.alibaba.com>



Dongguan Fitlight Lighting Co.,Ltd.

Add: 10th floor, building C1, Songhu Zhigu building, No. 9, Yanhe South Road, Liaobu Town, Dongguan City, Guangdong Province, China.

Email : liu@fitlight-tech.com URL: www.fitlight-tech.com / <https://fitlight.en.alibaba.com>



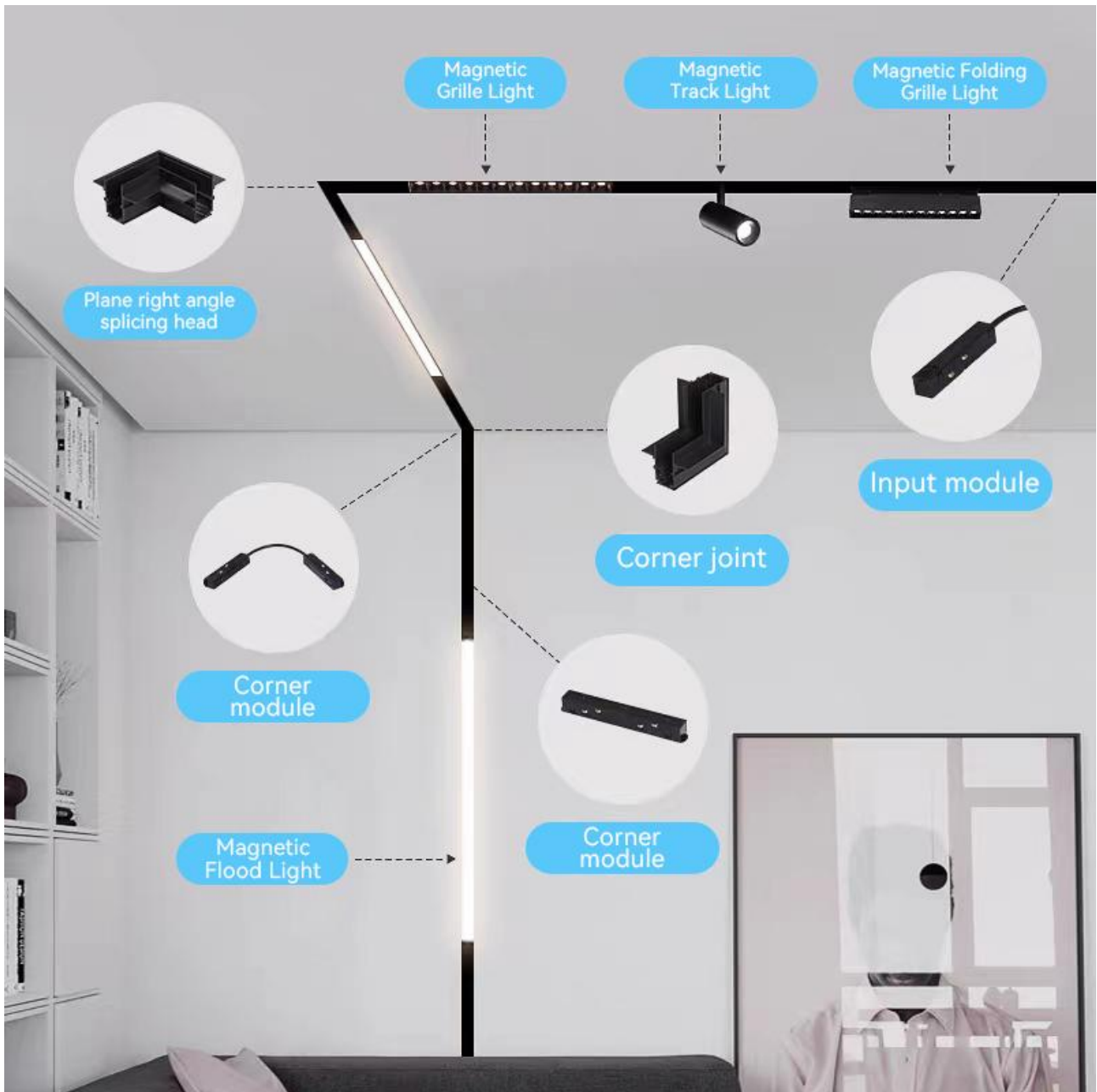
CAN PURCHASE ACCESSORIES TO CREATE MORE STYLES



Dongguan Fitlight Lighting Co.,Ltd.

Add: 10th floor, building C1, Songhu Zhigu building, No. 9, Yanhe South Road, Liaobu Town, Dongguan City, Guangdong Province, China.

Email : liu@fitlight-tech.com URL: www.fitlight-tech.com / <https://fitlight.en.alibaba.com>



Dongguan Fitlight Lighting Co.,Ltd.

Add: 10th floor, building C1, Songhu Zhigu building, No. 9, Yanhe South Road, Liaobu Town, Dongguan City, Guangdong Province, China.

Email : liu@fitlight-tech.com URL: www.fitlight-tech.com / <https://fitlight.en.alibaba.com>

Connection module



2.0 Surface rail



2.0 Recessed rail



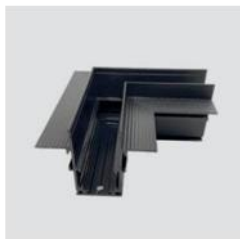
2.0 Recessed rail



2.0 90° Surface corner



2.0 Surface Yin corner



2.0 Recessed corner



2.0 Recessed Yin corner



2.0 Recessed Yang corner



2.0 Recessed T corner



2.0 Recessed + corner



2.0 Recessed corner



2.0 Recessed Yin corner



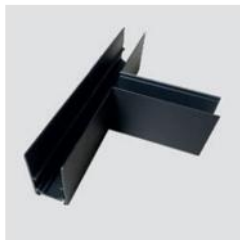
2.0 Recessed Yang corner



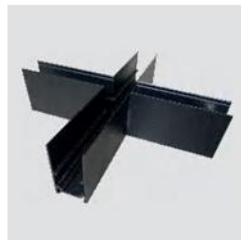
2.0 Recessed T corner



2.0 Recessed + corner



2.0 Surface T corner



2.0 Surface + corner



2.0 Through conductive



2.0 Corner conductive



2.0 Input conductive

Dongguan Fitlight Lighting Co.,Ltd.

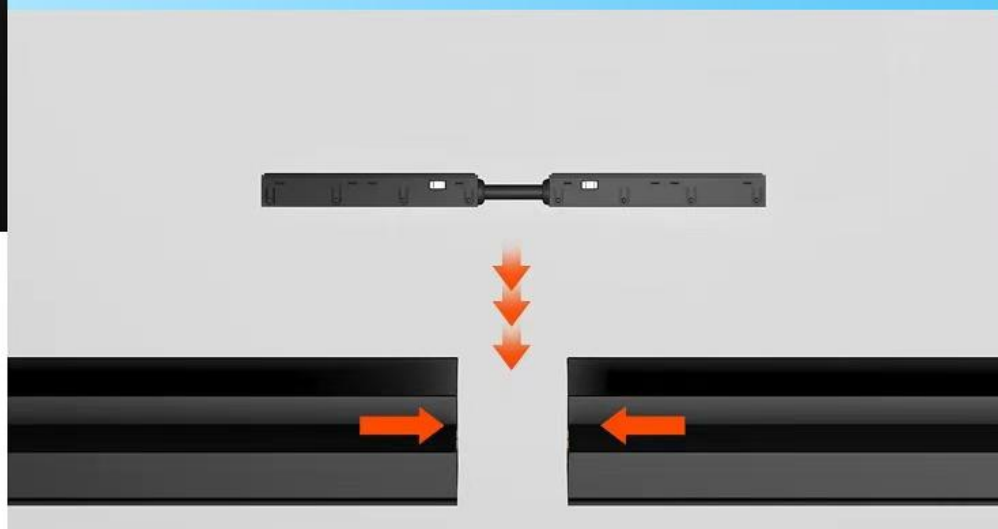
Add: 10th floor, building C1, Songhu Zhigu building, No. 9, Yanhe South Road, Liaobu Town, Dongguan City, Guangdong Province, China.

Email : liu@fitlight-tech.com URL: www.fitlight-tech.com / <https://fitlight.en.alibaba.com>

STEP 3: SELECT THE CORRESPONDING ACCESSORIES

Based on the track type and light source type you selected in the previous two steps combined with your ambient light layout, select the required connection accessories

STRAIGHT JOINT



STRAIGHT JOINT Recessed Mounted/Plaster Mounted/Surface Mounted

Purpose: Used to connect two (Unable to power on without connectors) intersecting tracks

01



02



This short straight module is also available for straight splicing

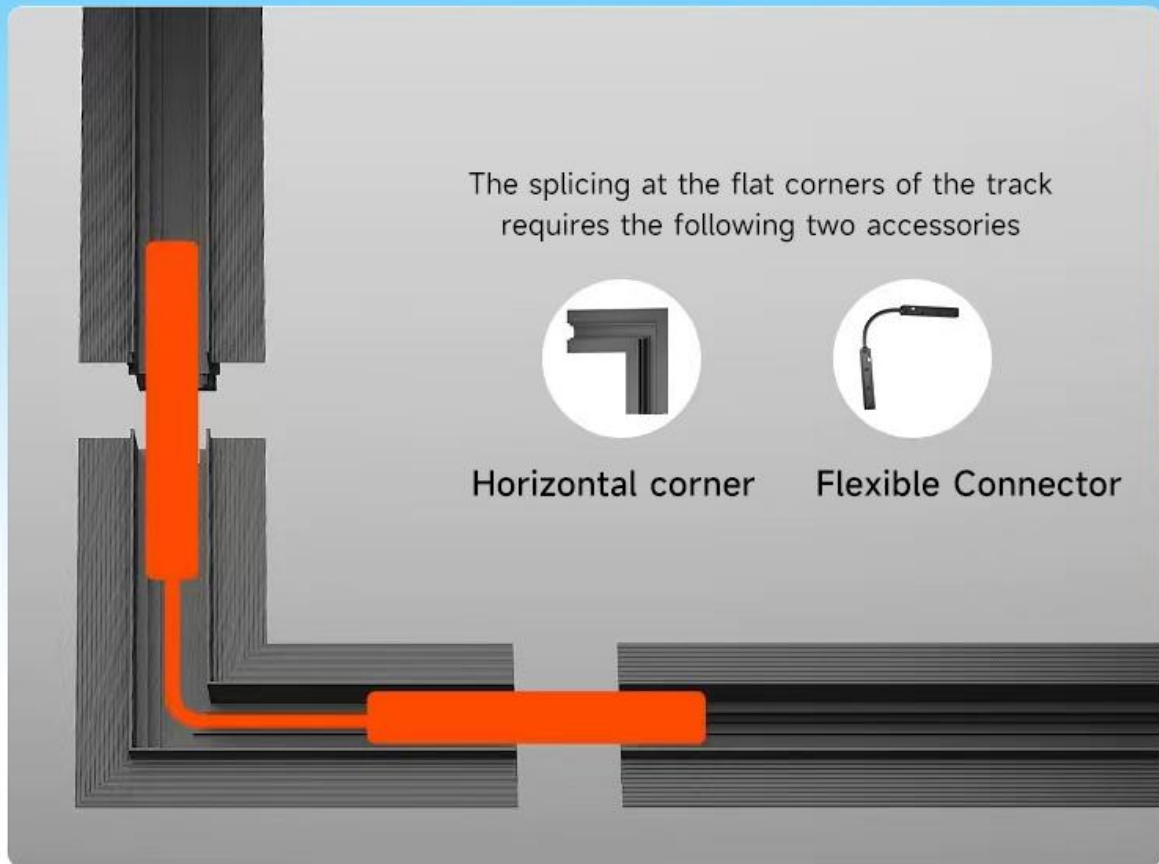
Dongguan Fitlight Lighting Co.,Ltd.

Add: 10th floor, building C1, Songhu Zhigu building, No. 9, Yanhe South Road, Liaobu Town, Dongguan City, Guangdong Province, China.

Email : liu@fitlight-tech.com URL: www.fitlight-tech.com / <https://fitlight.en.alibaba.com>

HORIZONTAL CORNER ILLUSTRATION

Used for splicing at right angle turns of two tracks on the same horizontal plane



RAIL FLAT ANGLE SPLICES ARE NOT UNIVERSAL

Please match the corresponding style of flat corner joints according to the type of track you choose.



Recessed style



Plaster Mounted style



Surface Mounted style

Dongguan Fitlight Lighting Co.,Ltd.

Add: 10th floor, building C1, Songhu Zhigu building, No. 9, Yanhe South Road, Liaobu Town, Dongguan City, Guangdong Province, China.

Email : liu@fitlight-tech.com URL: www.fitlight-tech.com / <https://fitlight.en.alibaba.com>

FLEXIBLE CONNECTOR Recessed Mounted/Plaster Mounted/Surface Mounted

Purpose: Used when two tracks intersect in a plane or vertical turn (Unable to power on without connectors)



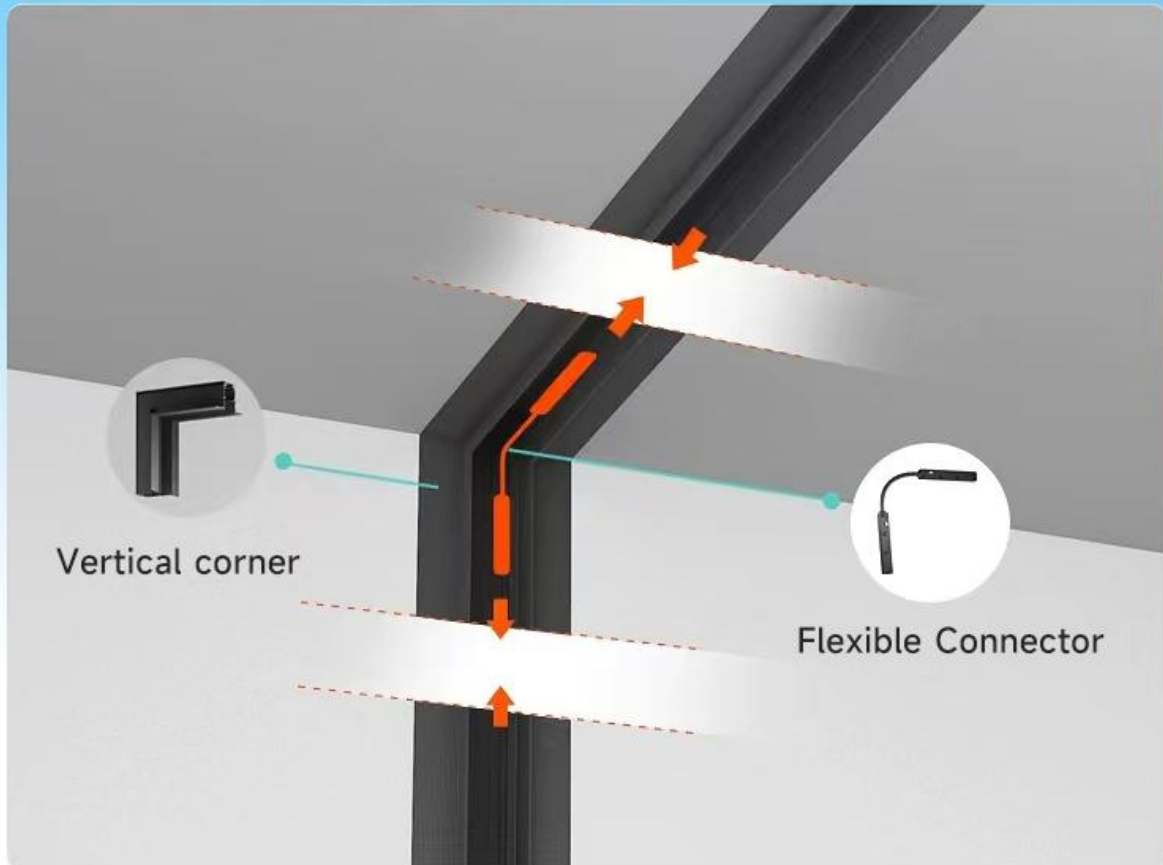
Dongguan Fitlight Lighting Co.,Ltd.

Add: 10th floor, building C1, Songhu Zhigu building, No. 9, Yanhe South Road, Liaobu Town, Dongguan City, Guangdong Province, China.

Email : liu@fitlight-tech.com URL: www.fitlight-tech.com / <https://fitlight.en.alibaba.com>

VERTICAL CORNER ILLUSTRATION

Used for right angle splicing of two tracks at the corner of a vertical wall



THE INTERNAL CORNER SPLICING HEAD OF THE TRACK IS NOT UNIVERSAL

Please match the corresponding style of corner female corner joints according to the type of track you choose.



Recessed style



Plaster Mounted style



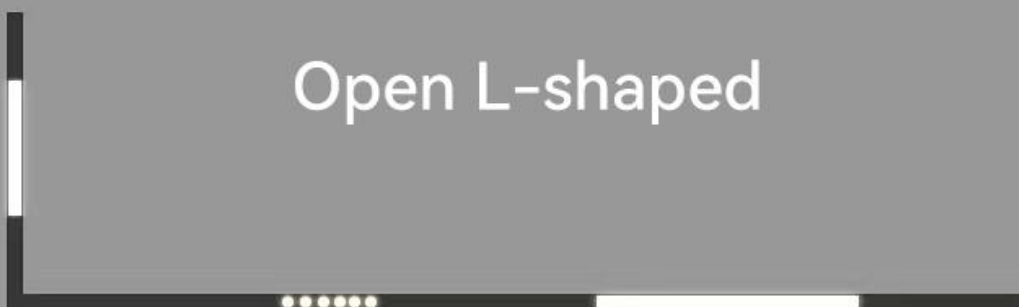
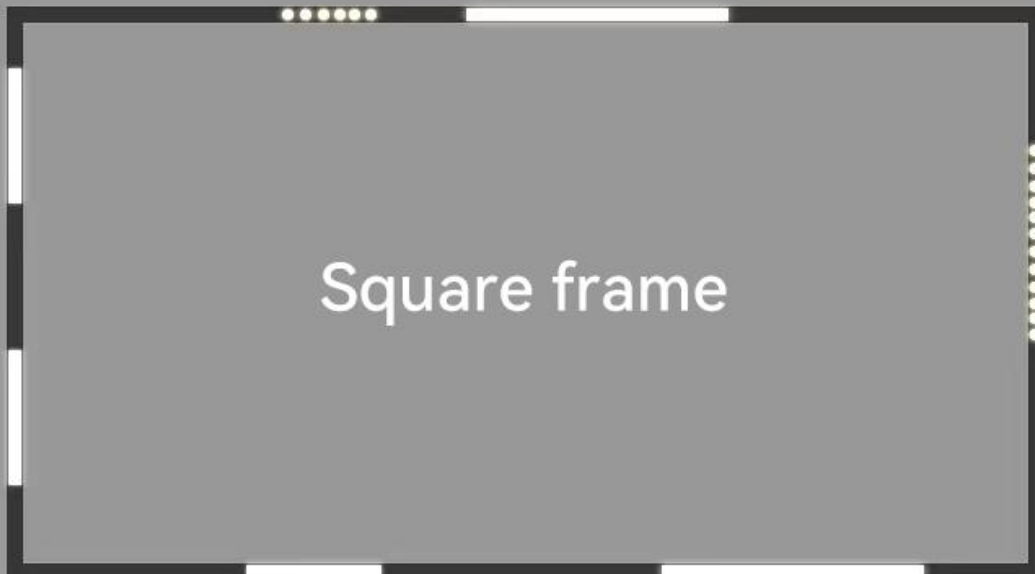
Surface Mounted style

Dongguan Fitlight Lighting Co.,Ltd.

Add: 10th floor, building C1, Songhu Zhigu building, No. 9, Yanhe South Road, Liaobu Town, Dongguan City, Guangdong Province, China.

Email : liu@fitlight-tech.com URL: www.fitlight-tech.com / <https://fitlight.en.alibaba.com>

EXAMPLES OF MULTIPLE CREATIVE COMBINATION MODES



Horizontal/vertical bars in a straight line shape



Dongguan Fitlight Lighting Co.,Ltd.

Add: 10th floor, building C1, Songhu Zhigu building, No. 9, Yanhe South Road, Liaobu Town, Dongguan City, Guangdong Province, China.

Email : liu@fitlight-tech.com URL: www.fitlight-tech.com / <https://fitlight.en.alibaba.com>

48V Built-in Transformer

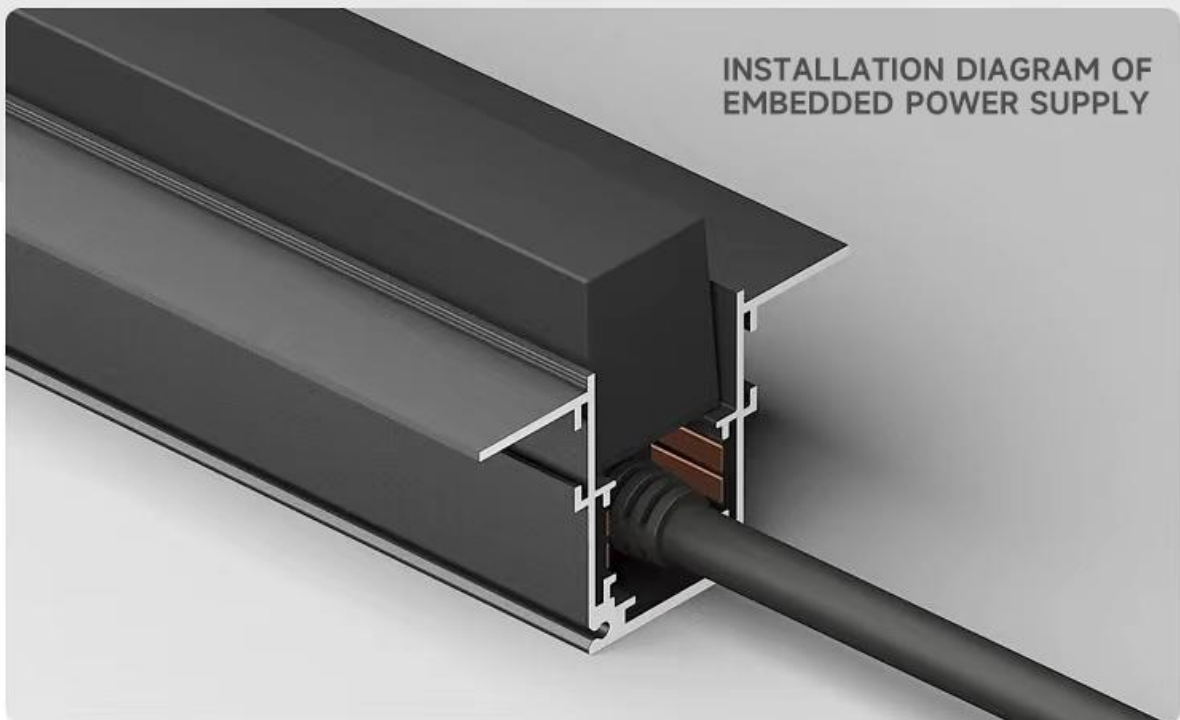
Like a magnet lamp, it is directly mounted on the track, plug and play, convenient and fast
48V safe output low voltage, stable and safe



The accessories are available in white/black, and this display page mainly features black accessories
The white version is no longer showcased individually



INSTALLATION DIAGRAM OF EMBEDDED POWER SUPPLY



Dongguan Fitlight Lighting Co.,Ltd.

Add: 10th floor, building C1, Songhu Zhigu building, No. 9, Yanhe South Road, Liaobu Town, Dongguan City, Guangdong Province, China.

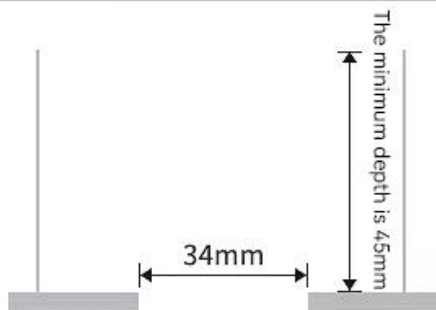
Email : liu@fitlight-tech.com URL: www.fitlight-tech.com / <https://fitlight.en.alibaba.com>

MAGNETIC TRACK RAIL INSTALLATION INSTRUCTIONS

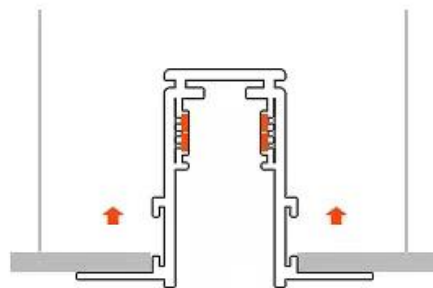
TRACK INSTALLATION

Plaster Mounted Track Rail

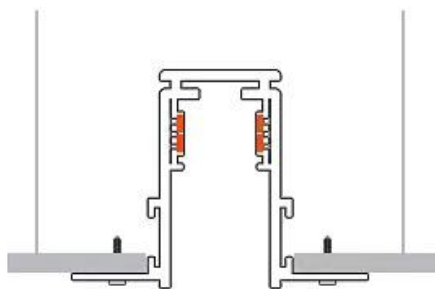
Embedded installation



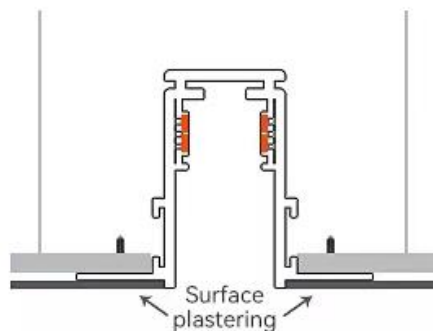
1. The width of the ceiling groove is 34mm



2. Place the track strip into the slot, as shown in the figure



3. Use M4 self tapping screws to lock the track to the ceiling



4. Use a batch of ash on the surface of the track to block the wing edges, and complete the installation

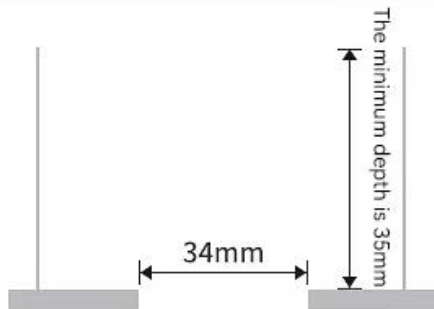
Dongguan Fitlight Lighting Co.,Ltd.

Add: 10th floor, building C1, Songhu Zhigu building, No. 9, Yanhe South Road, Liaobu Town, Dongguan City, Guangdong Province, China.

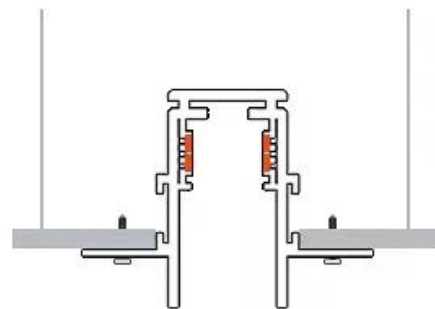
Email : liu@fitlight-tech.com URL: www.fitlight-tech.com / <https://fitlight.en.alibaba.com>

Recessed Mounted Track Rail

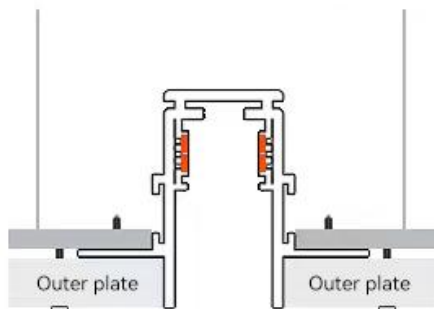
Embedded installation



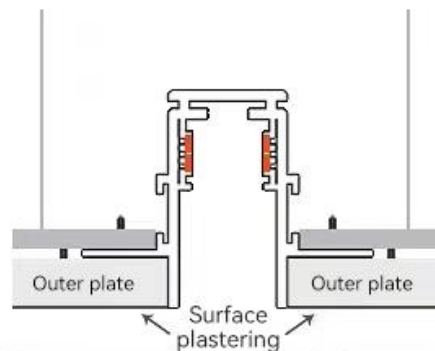
1. Ceiling slot width 34mm



2. Place the track into the slot and lock it to the ceiling using M4 self tapping screws



3. Cover the outer plate at the lower end of the track with the height of the outer plate level with the lower end of the track, as shown in the figure



4. Use putty on the surface of the outer plate to block the screws on the outer plate and the installation is completed

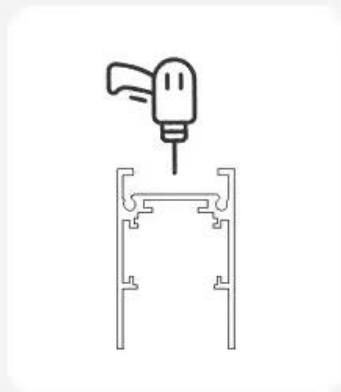
Dongguan Fitlight Lighting Co.,Ltd.

Add: 10th floor, building C1, Songhu Zhigu building, No. 9, Yanhe South Road, Liaobu Town, Dongguan City, Guangdong Province, China.

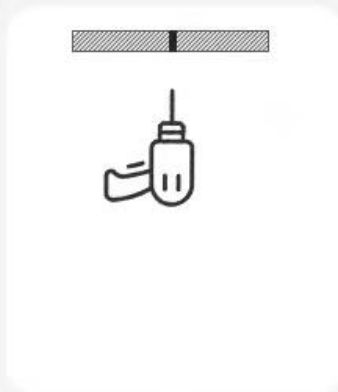
Email : liu@fitlight-tech.com URL: www.fitlight-tech.com / <https://fitlight.en.alibaba.com>

**Surface Mounted Track Rail
Installation Instructions****Surface Mounted Installation**

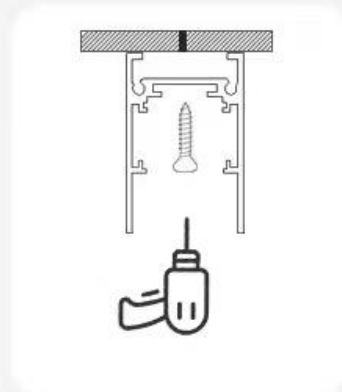
First drill holes for the track, then align the holes and punch holes on the ceiling and then fix them with self tapping screws



1. First drill holes for the track



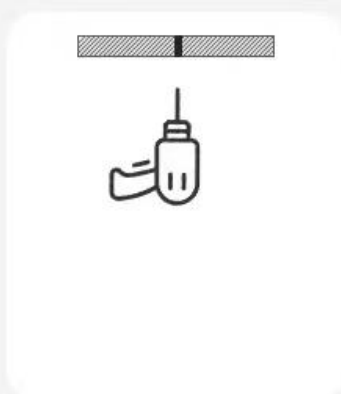
2. Punch holes in the ceiling
again



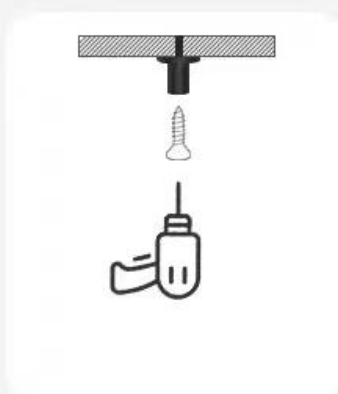
3. Fix with self tapping screws

Suspending Installation

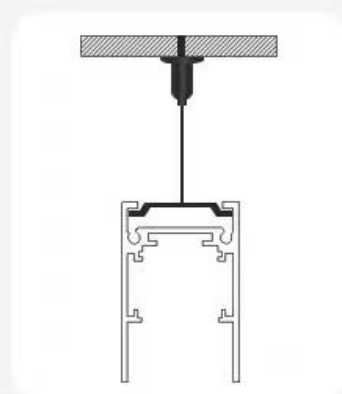
The ceiling shall be perforated to fix the hanging wire cap, and then the length of the hanging wire shall be adjusted, and the hanging wire screw shall be tightened



1. Punch holes in the ceiling first



2. Fix the suspension cable cap



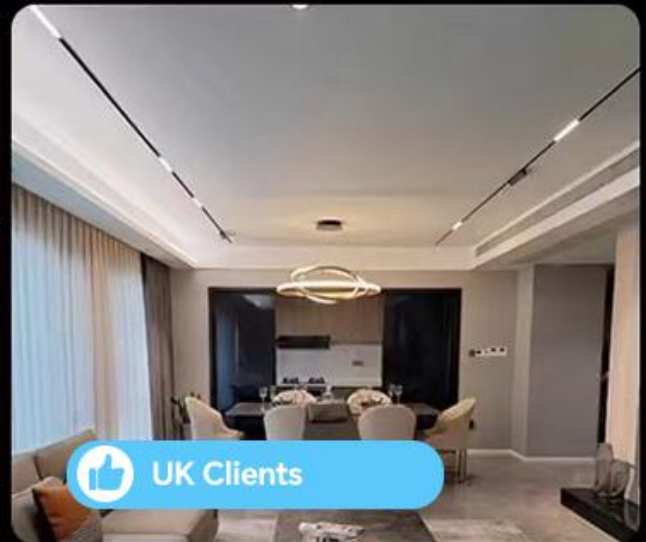
3. Tighten the suspension screw

Dongguan Fitlight Lighting Co.,Ltd.

Add: 10th floor, building C1, Songhu Zhigu building, No. 9, Yanhe South Road, Liaobu Town, Dongguan City, Guangdong Province, China.

Email : liu@fitlight-tech.com URL: www.fitlight-tech.com / <https://fitlight.en.alibaba.com>

Real Feedback From Customers



Dongguan Fitlight Lighting Co.,Ltd.

Add: 10th floor, building C1, Songhu Zhigu building, No. 9, Yanhe South Road, Liaobu Town, Dongguan City, Guangdong Province, China.

Email : liu@fitlight-tech.com URL: www.fitlight-tech.com / <https://fitlight.en.alibaba.com>