

**Thanks for choosing our products, in order to protect your consumption right and personal safety, please read this instruction carefully before uses and keep this as the future reference.**

## **Attention:**

- Before installing the luminaire, please check whether the rated voltage of the luminaire is consistent with the voltage of the wiring power supply to avoid damage to the luminaire due to voltage inconsistency.
- Touching these parts without disconnecting the power supply may cause an electric shock. So, installation must be done by professional electrician.
- Please ensure the power has been cut off before installation, in order to prevent the electric shock, make sure the power supply that can't be resumed by anybody before the job done.
- Keep the surface of the lamp housing and transparent parts clean to ensure good light transmission.
- Plastic materials are used in some parts of the spotlight. Applying organic solvents (such as benzene), or other chemicals for cleaning may cause deformation or discolouration. Clean the device gently, using a soft dry cloth.
- Each fixing screw must be tightened when installing.
- The cable entry line should be fixed and prevented from pulling the wire and damaging the lamp.
- Avoid collision with hard objects to avoid scratches.
- Do not spray or pour water on the unit, this may cause an electric shock.
- Do not install the unit in locations subject to high and/or low temperatures (this may damage the LED lamp).
- The maintenance should be done by the professional. The luminaire must be grounded reliably and non-professionals must not disassemble the luminaire.
- The front-end power supply must be cut off during installation. The power supply must be cut off when repairing or replacing parts.
- The defective ballast could not be treated as the normal rubbish and should be returned and make use of the normal parts.
- Regarding the repair of the equipment contact Technical Support.

Dongguan Fitlight Lighting Co.,Ltd.

Add: 10th floor, building C1, Songhu Zhigu building, No. 9, Yanhe South Road, Liaobu Town, Dongguan City, Guangdong Province, China.

Email : [liu@fitlight-tech.com](mailto:liu@fitlight-tech.com) URL: [www.fitlight-tech.com](http://www.fitlight-tech.com) / <https://fitlight.en.alibaba.com>



## OEM/ODM

### Professional Lighting Product Manufacturer

1. 14+ Years of Industry Leadership
2. Full Customization (OEM/ODM)
3. Certified Excellence: Globally recognized certifications (CE, RoHS, SAA, etc.)
4. Energy-Efficient & Sustainable Solutions
5. Competitive Pricing & Fast Turnaround
6. Dedicated R&D & Continuous Innovation



**14**<sup>+years</sup>  
Production experience

**3000**<sup>+m<sup>2</sup></sup>  
Factory space

**50**<sup>+</sup>  
Patent certificate

**100**<sup>+</sup>  
Projects

**10000**<sup>+pcs</sup>  
Daily output value

**100**<sup>+</sup>  
Service country



Dongguan Fitlight Lighting Co.,Ltd.

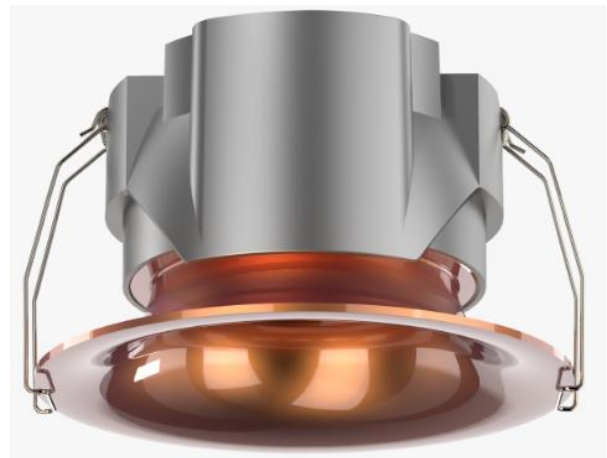
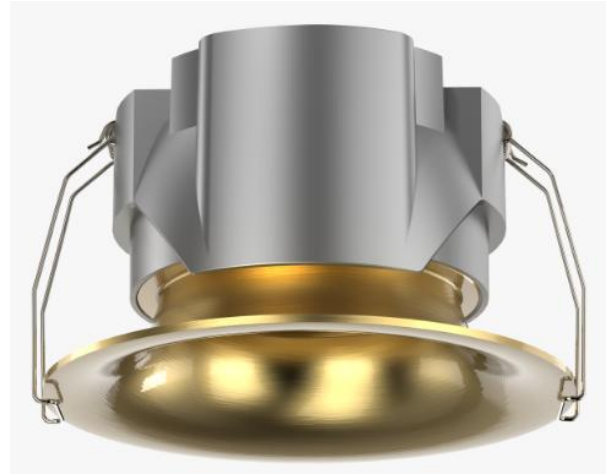
Add: 10th floor, building C1, Songhu Zhigu building, No. 9, Yanhe South Road, Liaobu Town, Dongguan City, Guangdong Province, China.

Email : [liu@fitlight-tech.com](mailto:liu@fitlight-tech.com) URL: [www.fitlight-tech.com](http://www.fitlight-tech.com) / <https://fitlight.en.alibaba.com>

# FEITL IP65 Waterproof Down Light-HGS20 Series

## Features and Benefits

- Light source: COB LED
- Long LED life: More than 50,000 hours
- Low heat, less than 60°C
- No UV or IR light radiation
- No mercury or other inorganic
- Homogeneous flood illumination
- Machined aluminum heat fins with excellent thermal efficiencies
- The LED down light is available in the following white color temperatures: 2700/3000/3500/4000/5000/6000K
- 3-5 years limited warranty
- Works with worldwide lighting systems AC100/240V



## Typical Applications

- Spot lighting
- Retail Store lighting
- Commercial lighting
- Residential lighting
- General lighting
- Energy Saving Programs
- Sustainable Energy



White



Black



Gun Black



Bright Silver

Dongguan Fitlight Lighting Co.,Ltd.

Add: 10th floor, building C1, Songhu Zhigu building, No. 9, Yanhe South Road, Liaobu Town, Dongguan City, Guangdong Province, China.

Email : [liu@fitlight-tech.com](mailto:liu@fitlight-tech.com) URL: [www.fitlight-tech.com](http://www.fitlight-tech.com) / <https://fitlight.en.alibaba.com>

# FEITL IP65 Waterproof Down Light-HGS20 Series

## PRODUCT SPECIFICATIONS

<b>LAMP TYPE</b>	IP65 Waterproof Down light series
<b>LIGHT SOURCE</b>	Cree/OSRAM or Bridgelux COB LED (Other driver brands can also choose from)
<b>Driver</b>	IP65 LED Driver
<b>Input voltage (volts)</b>	AC 100-277V
<b>Power</b>	10/12/18/20/25/30W
<b>BEAM ANGLE</b>	24° /36° /55° ±3°
<b>RENDERING INDEX (Ra)</b>	>80Ra or 90Ra
<b>Material Quality</b>	Aluminum
<b>Color Temperature</b>	Warm White(2700K/3000K/3500K) / Natural White(4000K) / Cool white(5000K/6000K)
<b>Efficiency</b>	85-90lm/w±10% for non-dimmable model; 80-85lm/w±10% for dimmable model;
<b>OPTICS</b>	Optical lens
<b>HEATSINK</b>	Machined pure aluminum with anodize finish
<b>Installation</b>	Recessed/Embedded
<b>BASE TYPE</b>	External Driver
<b>Key Feature 1</b>	Aluminum Cob Anti-glare Down Lights
<b>Key Feature 2</b>	Die-cast Aluminum Round Waterproof LED Downlight
<b>Certification</b>	CE/EMC/LVD/ROHS/SAA(Whole lamp);Driver(CE/EMC/LVD/ROHS/CB/SAA/UL)

## ENVIRONMENTAL SPECIFICATIONS

<b>TEMPERATURE RANGE</b>	Ambient: -20°C to 40°C; Surface of Lamp: 60°C to 70°C
<b>HUMIDITY RANGE</b>	0 to 95% non-condensing humidity

## PRODUCT CODE: FT-HGS20-X<sub>1</sub>/X<sub>2</sub>

X1: Power

X2: LED chip(OSRAM / Cree or Epistar / bridgelux)

Dongguan Fitlight Lighting Co.,Ltd.

Add: 10th floor, building C1, Songhu Zhigu building, No. 9, Yanhe South Road, Liaobu Town, Dongguan City, Guangdong Province, China.

Email : [liu@fitlight-tech.com](mailto:liu@fitlight-tech.com) URL: [www.fitlight-tech.com](http://www.fitlight-tech.com) / <https://fitlight.en.alibaba.com>

# FEITL IP65 Waterproof Down Light-HGS20 Series

## IP65 Waterproof LED Downlight



Multiple inner reflector cup colors available

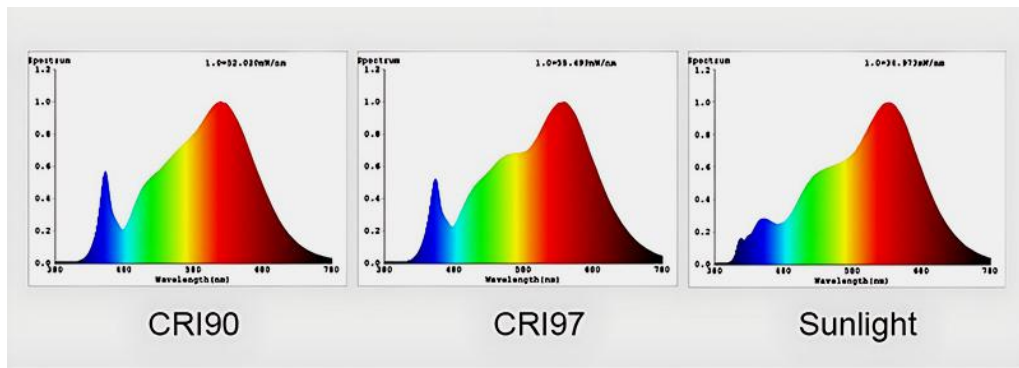


Dongguan Fitlight Lighting Co.,Ltd.

Add: 10th floor, building C1, Songhu Zhigu building, No. 9, Yanhe South Road, Liaobu Town, Dongguan City, Guangdong Province, China.

Email : [liu@fitlight-tech.com](mailto:liu@fitlight-tech.com) URL: [www.fitlight-tech.com](http://www.fitlight-tech.com) / <https://fitlight.en.alibaba.com>

# FEITL IP65 Waterproof Down Light-HGS20 Series



## CCT option



## Material Brand Cooperation

PHILIPS

CREE

OSRAM

EAGLERISE

LIFUD

bridgelux

powered by  
TRIDONIC

LUMINUS

EPISTAR

BOKE

KR  
KERUI GROUP

CITILED  
The Light Engine

### COB brand



Other brands are also available

### Power brand



Five-year warranty, no flicker PF > 0.9

Dongguan Fitlight Lighting Co.,Ltd.

Add: 10th floor, building C1, Songhu Zhigu building, No. 9, Yanhe South Road, Liaobu Town, Dongguan City, Guangdong Province, China.

Email : [liu@fitlight-tech.com](mailto:liu@fitlight-tech.com) URL: [www.fitlight-tech.com](http://www.fitlight-tech.com) / <https://fitlight.en.alibaba.com>

# FEITL IP65 Waterproof Down Light-HGS20 Series



Dongguan Fitlight Lighting Co.,Ltd.

Add: 10th floor, building C1, Songhu Zhigu building, No. 9, Yanhe South Road, Liaobu Town, Dongguan City, Guangdong Province, China.

Email : [liu@fitlight-tech.com](mailto:liu@fitlight-tech.com) URL: [www.fitlight-tech.com](http://www.fitlight-tech.com) / <https://fitlight.en.alibaba.com>

# FEITL IP65 Waterproof Down Light-HGS20 Series



MODEL	POWER	CUTOUT	SIZE	CRI	COLOR TEMPERATURE	WORKING VOLTAGE
FT-HGS20-10w	10W	φ 55	D65*H52	≥90	2700K	AC 200-240V
FT-HGS20-12W	12W	φ 75	D85*H56		3000K	
FT-HGS20-18W	18W	φ 95	D105*H68		3500K	
FT-HGS20-20W	20W	φ 95	D105*H68		4000K	or AC 100-240V
FT-HGS20-25W	25W	φ 115	D135*H80		5000K	
FT-HGS20-30W	30W	φ 115	D135*H80		6000K	

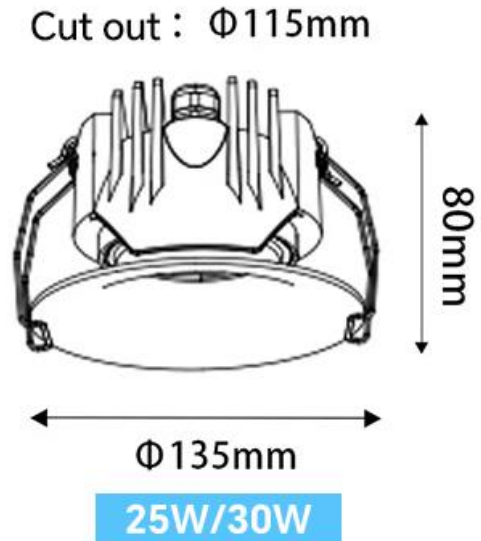
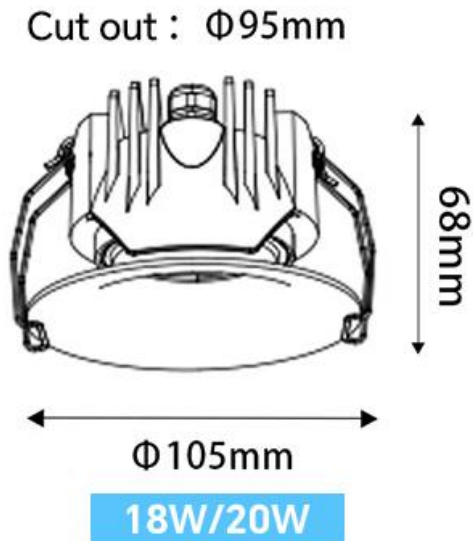
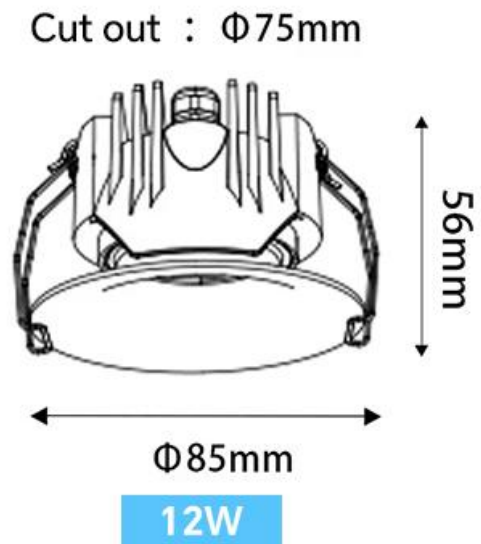
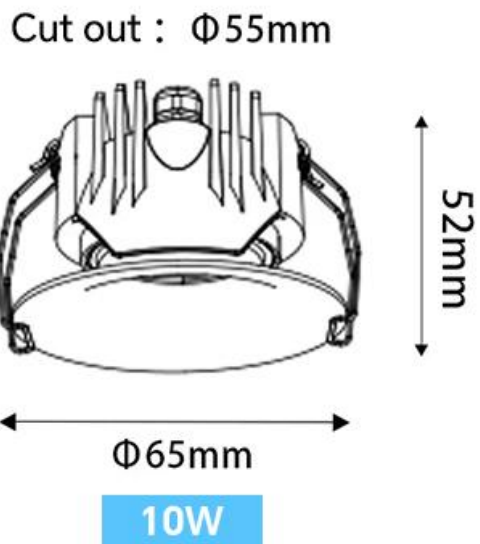


Dongguan Fitlight Lighting Co.,Ltd.

Add: 10th floor, building C1, Songhu Zhigu building, No. 9, Yanhe South Road, Liaobu Town, Dongguan City, Guangdong Province, China.

Email : [liu@fitlight-tech.com](mailto:liu@fitlight-tech.com) URL: [www.fitlight-tech.com](http://www.fitlight-tech.com) / <https://fitlight.en.alibaba.com>

## Product size



Dongguan Fitlight Lighting Co.,Ltd.

Add: 10th floor, building C1, Songhu Zhigu building, No. 9, Yanhe South Road, Liaobu Town, Dongguan City, Guangdong Province, China.

Email : [liu@fitlight-tech.com](mailto:liu@fitlight-tech.com) URL: [www.fitlight-tech.com](http://www.fitlight-tech.com) / <https://fitlight.en.alibaba.com>

## DIMMABLE

Single color dimmable



TRIAC



0-10V

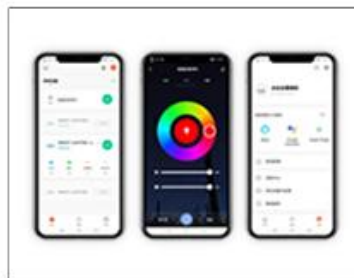


DALI

2700-6000K tunable



2.4G



TUYA  
(Bluetooth WiFi ZIGBEE)



DALI DT8

Dongguan Fitlight Lighting Co.,Ltd.

Add: 10th floor, building C1, Songhu Zhigu building, No. 9, Yanhe South Road, Liaobu Town, Dongguan City, Guangdong Province, China.

Email : [liu@fitlight-tech.com](mailto:liu@fitlight-tech.com) URL: [www.fitlight-tech.com](http://www.fitlight-tech.com) / <https://fitlight.en.alibaba.com>

# Intelligent Dimming And CCT Adjustment

Supports multiple intelligent connection methods

DALI, 0-10V, TUYA/ZIGBEE, TRIAC



Dongguan Fitlight Lighting Co.,Ltd.

Add: 10th floor, building C1, Songhu Zhigu building, No. 9, Yanhe South Road, Liaobu Town, Dongguan City, Guangdong Province, China.

Email : [liu@fitlight-tech.com](mailto:liu@fitlight-tech.com) URL: [www.fitlight-tech.com](http://www.fitlight-tech.com) / <https://fitlight.en.alibaba.com>

CREE / EPISTAR / OSRAM COB with high lumen output and high CRI



CRI < 80



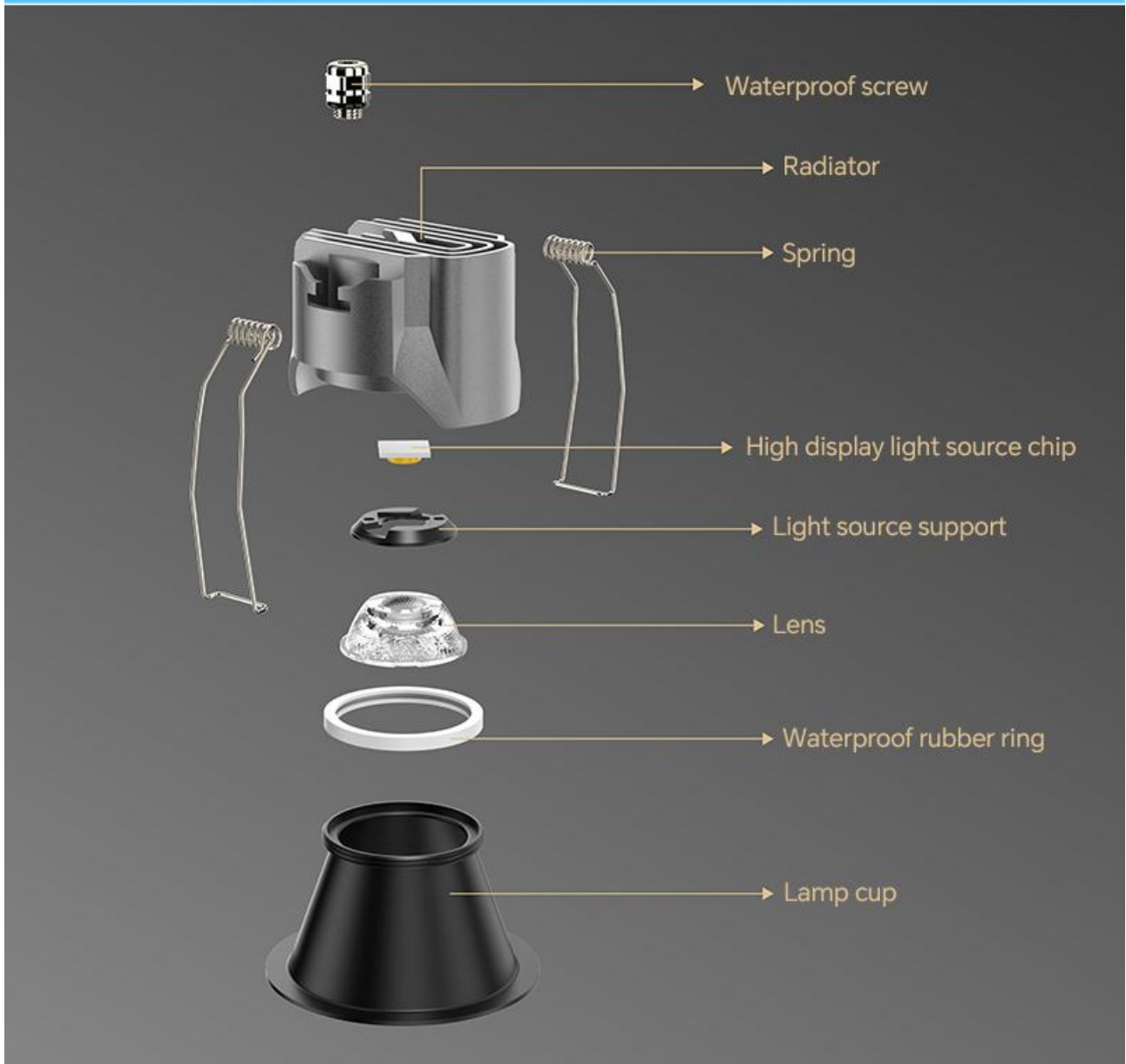
CRI ≥ 90

Dongguan Fitlight Lighting Co.,Ltd.

Add: 10th floor, building C1, Songhu Zhigu building, No. 9, Yanhe South Road, Liaobu Town, Dongguan City, Guangdong Province, China.

Email : [liu@fitlight-tech.com](mailto:liu@fitlight-tech.com) URL: [www.fitlight-tech.com](http://www.fitlight-tech.com) / <https://fitlight.en.alibaba.com>

## Product details



Dongguan Fitlight Lighting Co.,Ltd.

Add: 10th floor, building C1, Songhu Zhigu building, No. 9, Yanhe South Road, Liaobu Town, Dongguan City, Guangdong Province, China.

Email : [liu@fitlight-tech.com](mailto:liu@fitlight-tech.com) URL: [www.fitlight-tech.com](http://www.fitlight-tech.com) / <https://fitlight.en.alibaba.com>

# FEITL IP65 Waterproof Down Light-HGS20 Series

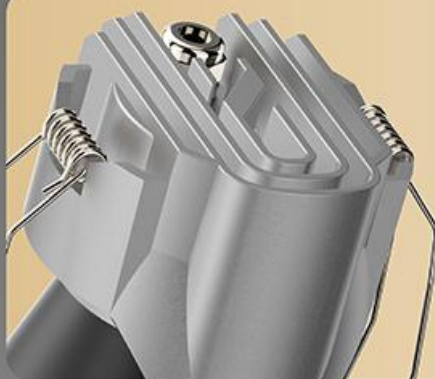
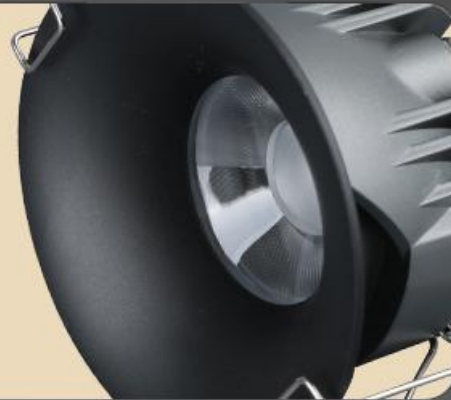


## Waterproof Screw

Prevents moisture ingress for long-lasting durability

## Upgraded Optical Lens

Enhanced light focusing effect with a beautiful wide beam angle



## Uniquely Shaped Radiator

Made of die-cast aluminum for powerful and reliable heat dissipation

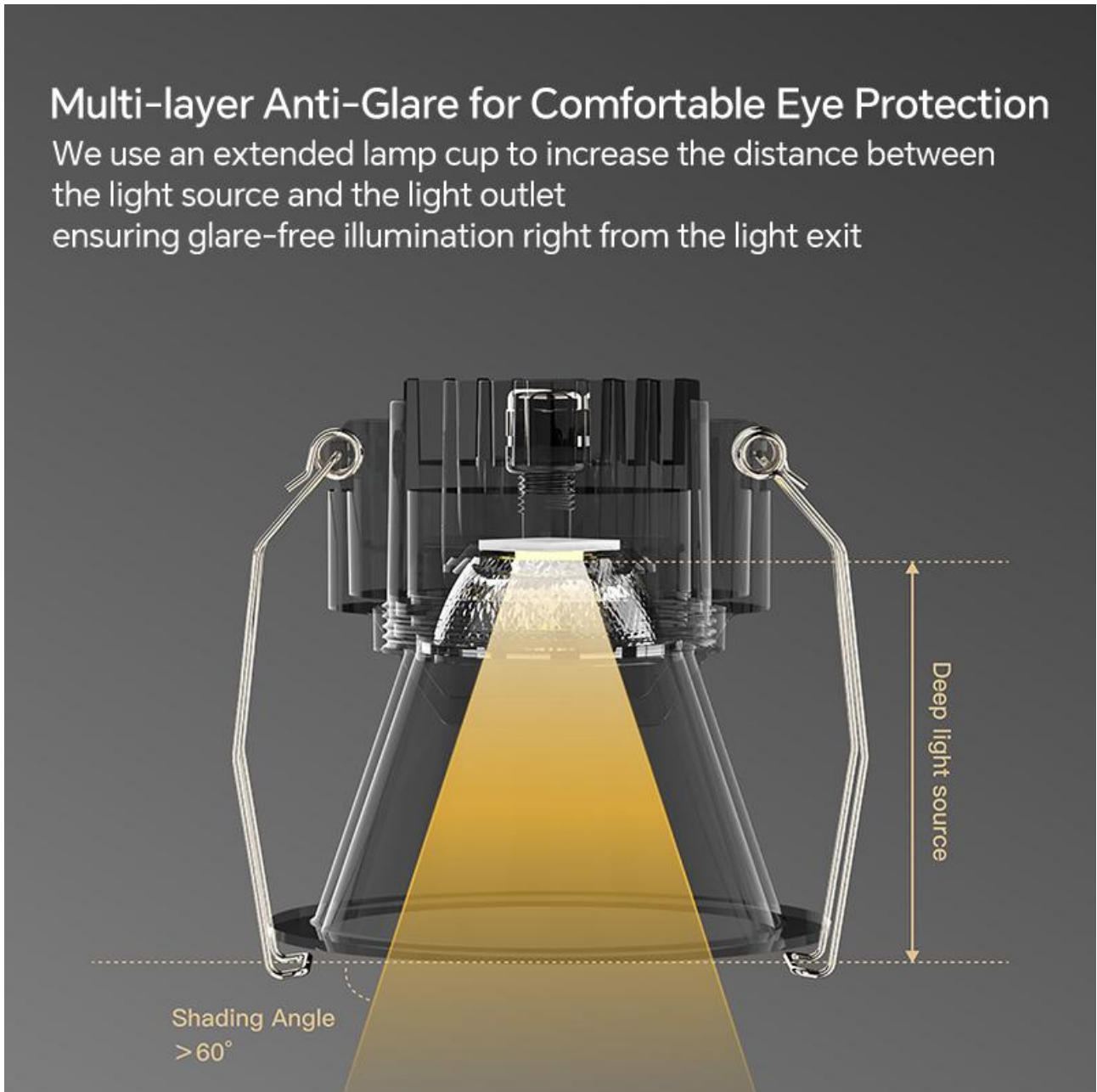
Dongguan Fitlight Lighting Co.,Ltd.

Add: 10th floor, building C1, Songhu Zhigu building, No. 9, Yanhe South Road, Liaobu Town, Dongguan City, Guangdong Province, China.

Email : [liu@fitlight-tech.com](mailto:liu@fitlight-tech.com) URL: [www.fitlight-tech.com](http://www.fitlight-tech.com) / <https://fitlight.en.alibaba.com>

## Multi-layer Anti-Glare for Comfortable Eye Protection

We use an extended lamp cup to increase the distance between the light source and the light outlet ensuring glare-free illumination right from the light exit



Dongguan Fitlight Lighting Co.,Ltd.

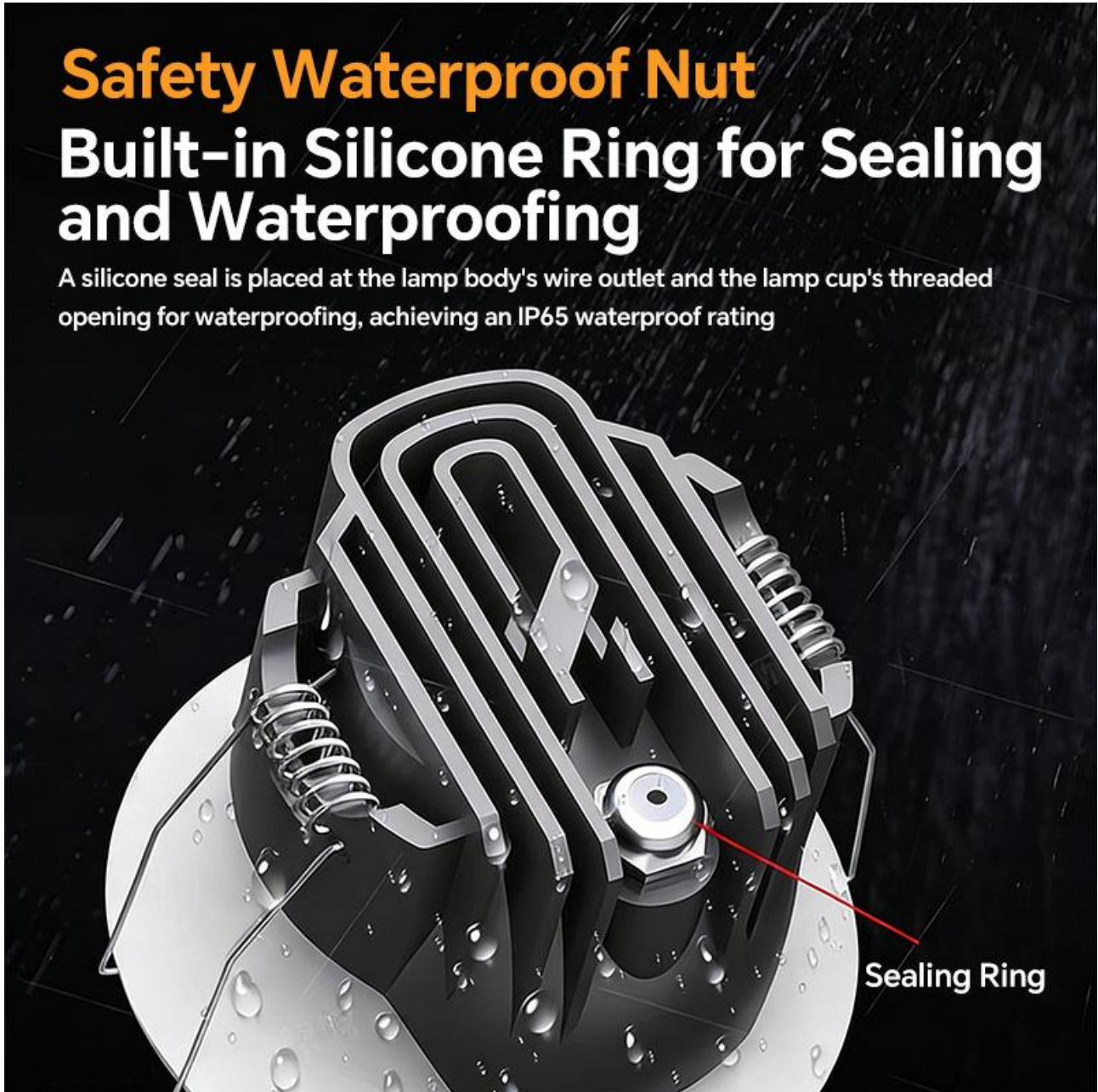
Add: 10th floor, building C1, Songhu Zhigu building, No. 9, Yanhe South Road, Liaobu Town, Dongguan City, Guangdong Province, China.

Email : [liu@fitlight-tech.com](mailto:liu@fitlight-tech.com) URL: [www.fitlight-tech.com](http://www.fitlight-tech.com) / <https://fitlight.en.alibaba.com>

## Safety Waterproof Nut

# Built-in Silicone Ring for Sealing and Waterproofing

A silicone seal is placed at the lamp body's wire outlet and the lamp cup's threaded opening for waterproofing, achieving an IP65 waterproof rating



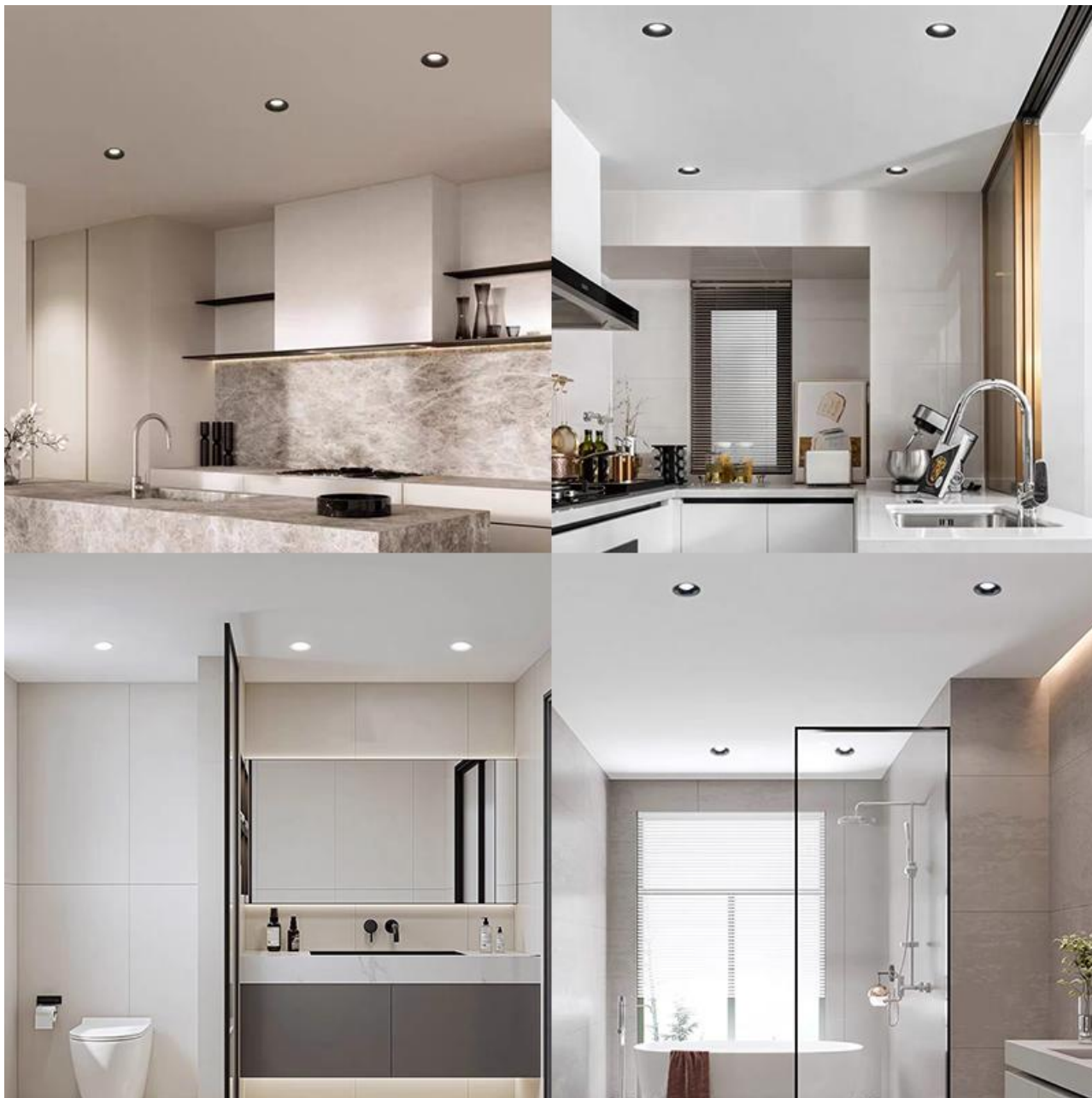
Dongguan Fitlight Lighting Co.,Ltd.

Add: 10th floor, building C1, Songhu Zhigu building, No. 9, Yanhe South Road, Liaobu Town, Dongguan City, Guangdong Province, China.

Email : [liu@fitlight-tech.com](mailto:liu@fitlight-tech.com) URL: [www.fitlight-tech.com](http://www.fitlight-tech.com) / <https://fitlight.en.alibaba.com>

# FEITL IP65 Waterproof Down Light-HGS20 Series

## INSTALL APPLICATION



Dongguan Fitlight Lighting Co.,Ltd.

Add: 10th floor, building C1, Songhu Zhigu building, No. 9, Yanhe South Road, Liaobu Town, Dongguan City, Guangdong Province, China.

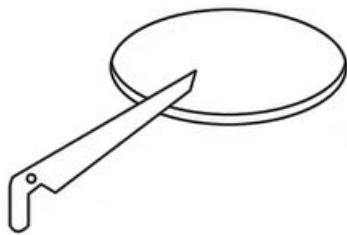
Email : [liu@fitlight-tech.com](mailto:liu@fitlight-tech.com) URL: [www.fitlight-tech.com](http://www.fitlight-tech.com) / <https://fitlight.en.alibaba.com>

# FEITL IP65 Waterproof Down Light-HGS20 Series

## Installation of Light with springs:

The installation method can be installed according to the installation diagram of the luminaire. The installation position of the luminaire is selected by the embedded installation, and the hanging parts, cables, installation tools, etc. required for installation are prepared. The luminaires are led out according to relevant specifications, and the luminaires are hanged by hanging parts, etc. The back cover is pre-selected and properly hung or embedded to the pre-selected position.

### Installation Method



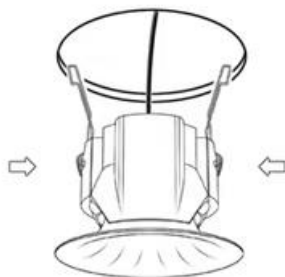
#### 1. Ceiling Hole Cutting

Use appropriate tools to cut a hole in the ceiling according to the size of the corresponding luminaire



#### 2. Connect the Wires

Connect the wires to the luminaire terminals correctly according to the installation manual. It is best to be operated by a professional electrician.



#### 3. Insert into the Ceiling

Align the spring clips on both ends of the product vertically and insert it into the ceiling hole.



#### 4. Lower the Spring Clips

After confirming that the hole size fits the product and the wiring is correct, lower the clips, then you can turn on the power for use.

The front-end power supply must be cut off during installation. The power supply must be cut off when repairing or replacing parts.

Dongguan Fitlight Lighting Co.,Ltd.

Add: 10th floor, building C1, Songhu Zhigu building, No. 9, Yanhe South Road, Liaobu Town, Dongguan City, Guangdong Province, China.

Email : [liu@fitlight-tech.com](mailto:liu@fitlight-tech.com) URL: [www.fitlight-tech.com](http://www.fitlight-tech.com) / <https://fitlight.en.alibaba.com>

## Caution:

- WARNING-Risk of fire or electric shock. LED Down light installation requires knowledge of luminaire electrical systems.
- If not qualified, do not attempt installation. Contact a qualified electrician.
- WARNING-To prevent wiring damage or abrasion, do not expose wiring to edges of sheet ; metal or other sharp objects.

## Hygiene & Safety

- Provide the illumination required in the work area for moving parts.
- We advise to use the soft cloth to clean up and do not attempt to use any chemical agent.
- In order to avoid any damages from the surface.
- Minimize the accumulation of dirt on the lamps and spotlights;
- For your safety, please cut off the power supply before changing or cleaning the lamp source.
- Facilitate maintenance.

Dongguan Fitlight Lighting Co.,Ltd.

Add: 10th floor, building C1, Songhu Zhigu building, No. 9, Yanhe South Road, Liaobu Town, Dongguan City, Guangdong Province, China.

Email : [liu@fitlight-tech.com](mailto:liu@fitlight-tech.com) URL: [www.fitlight-tech.com](http://www.fitlight-tech.com) / <https://fitlight.en.alibaba.com>