

Thanks for choosing our products, in order to protect your consumption right and personal safety, please read this instruction carefully before uses and keep this as the future reference.

Attention:

- Before installing the luminaire, please check whether the rated voltage of the luminaire is consistent with the voltage of the wiring power supply to avoid damage to the luminaire due to voltage inconsistency.
- Touching these parts without disconnecting the power supply may cause an electric shock. So, installation must be done by professional electrician.
- Please ensure the power has been cut off before installation, in order to prevent the electric shock, make sure the power supply that can't be resumed by anybody before the job done.
- Keep the surface of the lamp housing and transparent parts clean to ensure good light transmission.
- Plastic materials are used in some parts of the spotlight. Applying organic solvents (such as benzene), or other chemicals for cleaning may cause deformation or discolouration. Clean the device gently, using a soft dry cloth.
- Each fixing screw must be tightened when installing.
- The cable entry line should be fixed and prevented from pulling the wire and damaging the lamp.
- Avoid collision with hard objects to avoid scratches.
- Do not spray or pour water on the unit, this may cause an electric shock.
- Do not install the unit in locations subject to high and/or low temperatures (this may damage the LED lamp).
- The maintenance should be done by the professional. The luminaire must be grounded reliably and non-professionals must not disassemble the luminaire.
- The front-end power supply must be cut off during installation. The power supply must be cut off when repairing or replacing parts.
- The defective ballast could not be treated as the normal rubbish and should be returned and make use of the normal parts.
- Regarding the repair of the equipment contact Technical Support.

OEM/ODM
Professional Lighting Product Manufacturer

1. 14+ Years of Industry Leadership
2. Full Customization (OEM/ODM)
3. Certified Excellence: Globally recognized certifications (CE, RoHS, SAA, etc.)
4. Energy-Efficient & Sustainable Solutions
5. Competitive Pricing & Fast Turnaround
6. Dedicated R&D & Continuous Innovation

14 ^{+years} Production experience	3000 ^{+m²} Factory space	50 ⁺ Patent certificate
100 ⁺ Projects	10000 ^{+pcs} Daily output value	100 ⁺ Service country



10th floor, building C1, Songhu Zhigu building, No. 9, Yanhe South Road, Liaobu Town, Dongguan City, Guangdong Province, China.

liu@fitlight-tech.com
www.fitlight-tech.com / <https://fitlight.en.alibaba.com>

Features and Benefits

- Light source: COB LED
- Long LED life: More than 50,000 hours
- Low heat, less than 60°C
- No UV or IR light radiation
- No mercury or other inorganic
- Homogeneous flood illumination
- Machined aluminum heat fins with excellent thermal efficiencies
- The LED down light is available in the following white color temperatures:
2700/3000/4000/5000/6000K
- 3 or 5 years limited warranty(3 years for Epistar LED chip model and 5 years for Cree/OSRAM LED chip version)
- Works with worldwide lighting systems AC220/240V



Typical Applications

- Spot lighting
- Retail Store lighting
- Commercial lighting
- Residential lighting
- General lighting
- Energy Saving Programs
- Sustainable Energy



PRODUCT SPECIFICATIONS

LAMP TYPE	Down light series
Shape	One/Two or Three Heads(Customized heads)
LIGHT SOURCE	Cree/OSRAM or Epistar COB LED (Other lamp bead brands can also be selected. CITILED / LUMINUS / OSRAM / Bridgelux etc.)
Power	7/10/12/15W(one head) 2*7/2*10/2*12/2*15W(two heads) 3*7/3*10/3*12/3*15W(three heads)
BEAM ANGLE	15°/24°/38°±3°
RENDERING INDEX (Ra)	>80Ra or 90Ra
Color Temperature	2700/4000/5000K(Cree); 3000/4000/6500K(Epistar)
Efficiency	85-90lm/w for non-dimmable model; 80-85lm/w for dimmable model
OPTICS	Aluminum coating reflector
HEATSINK	Machined pure aluminum with anodize finish
BASE TYPE	Bi-wire
DIMMABILITY	Dimmable / Non-dimmable Model

ENVIRONMENTAL SPECIFICATIONS

TEMPERATURE RANGE	Ambient: -20°C to 40°C; Surface of Lamp: 60°C to 70°C
HUMIDITY RANGE	0 to 95% non-condensing humidity

PRODUCT CODE: FT-GL05-X₁/X₂ / FT-GL05-2*X₁/X₂ / FT-GL05-3*X₁/X₂

X1: Power

X2: LED chip(CREE/OSRAM or EPISTAR)

LED Down light Model at Ta=25°

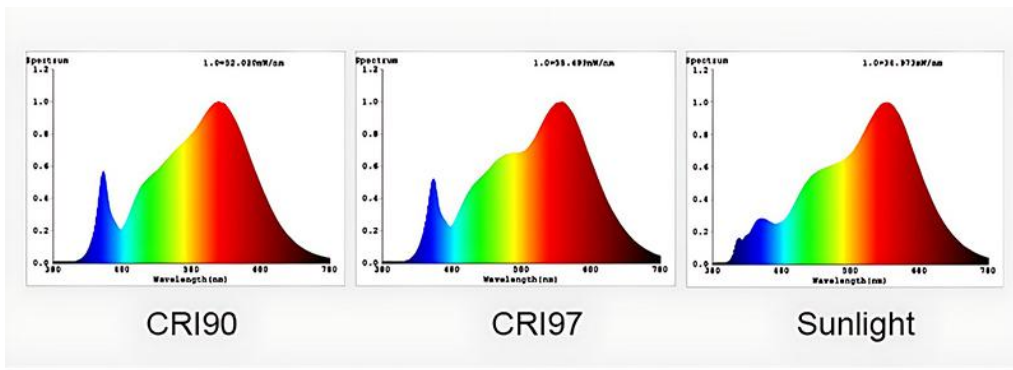
Parameter	Symbol	Min	Type	Max	Unit
Input Voltage (AC)	V _{AC}	165	230	265	V
Estimated Life ^[*]		—	50,000	—	hours
Optimized Body Temperature	T	—	55	60	°C

Note[*] – Manufacturer projects Down Light made with COB LED to maintain an average of 70% lumens maintenance after 30,000 hours. This estimation is made based on data from LED manufacturer

10th floor, building C1, Songhu Zhigu building, No. 9, Yanhe South Road, Liaobu Town, Dongguan City, Guangdong Province, China.

liu@fitlight-tech.com

www.fitlight-tech.com / <https://fitlight.en.alibaba.com>



CCT option



Material Brand Cooperation

PHILIPS

CREE

OSRAM

EAGLECRISE

LIFUD

bridgelux

powered by TRIDONIC

LUMINUS

EPISTAR

BOKE

KR KERUI GROUP

CITILED The Light Engine

COB brand



Other brands are also available

Power brand



Five-year warranty, no flicker PF>0.9

10th floor, building C1, Songhu Zhigu building, No. 9, Yanhe South Road, Liaobu Town, Dongguan City, Guangdong Province, China.

liu@fitlight-tech.com

www.fitlight-tech.com / <https://fitlight.en.alibaba.com>

PRODUCT SIZE and CUT OUT



10th floor, building C1, Songda Zhiya Building, No. 6, Faming South Road, Liaobu Town, Dongguan City, Guangdong Province, China.

liu@fitlight-tech.com

www.fitlight-tech.com / <https://fitlight.en.alibaba.com>

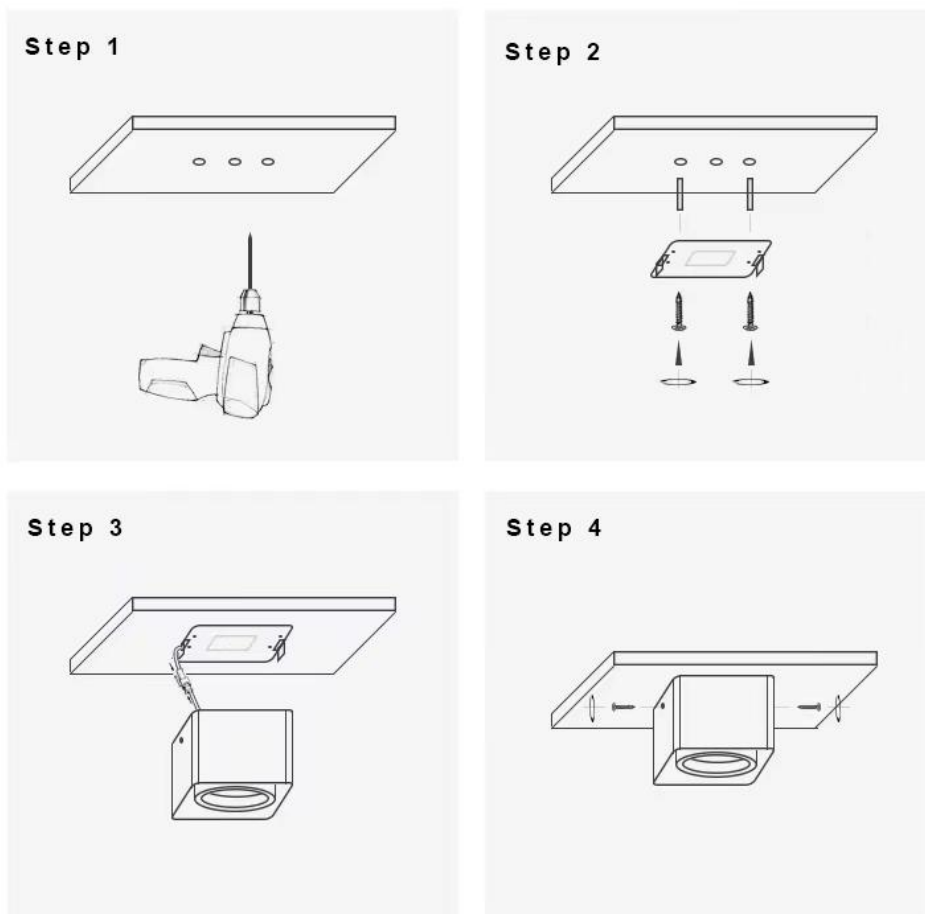
Installation of lamps for surface mounted downlight:

Note:

Surface-mounted installation, the lamp head shall be rotated for 3 turns to the left first, and then tightened clockwise and fixed to the right. If it is tightened directly clockwise, the power line will be pulled off, resulting in poor contact of the lamp or the lamp is not bright.

1. Turn the installation bottom part anticlockwise from the bottom of the lamp, and fix the installation bottom part on the ceiling with screws.
2. Pass the power cord of the lamp through the bottom part of the installation and connect it with the 220V standard power cord.
3. Slide the bottom of the lamp into the bottom part of the installation, and turn the lamp clockwise until it is fixed.
4. After the installation of lamps, the power can be turned on for use

Single head installation instructions



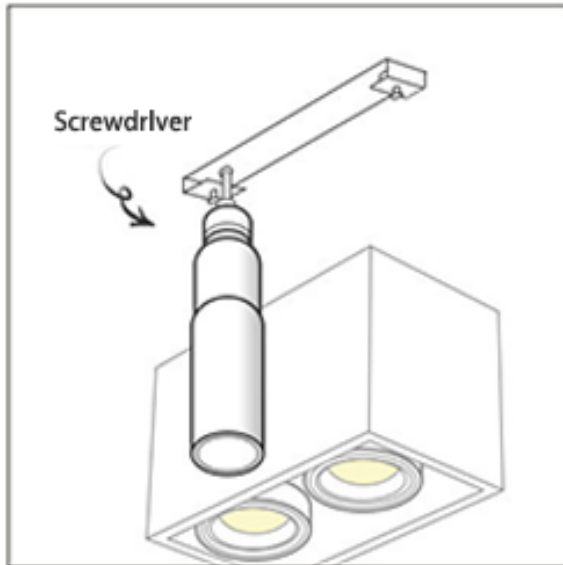
The front-end power supply must be cut off during installation. The power supply must be cut off when repairing or replacing parts.

10th floor, building C1, Songhu Zhigu building, No. 9, Yanhe South Road, Liaobu Town, Dongguan City, Guangdong Province, China.

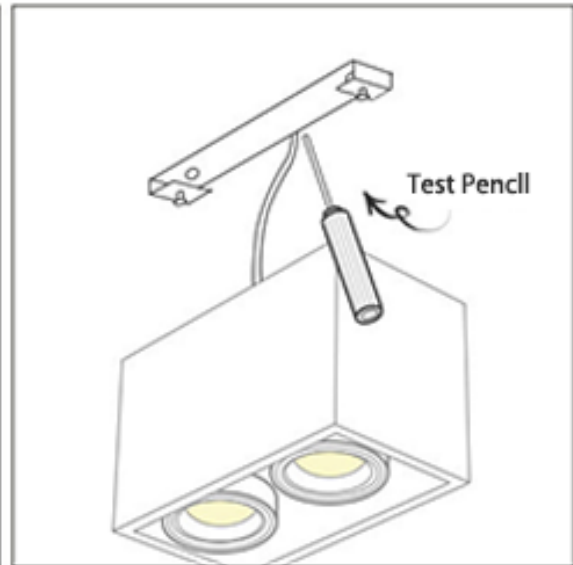
liu@fitlight-tech.com

www.fitlight-tech.com / <https://fitlight.en.alibaba.com>

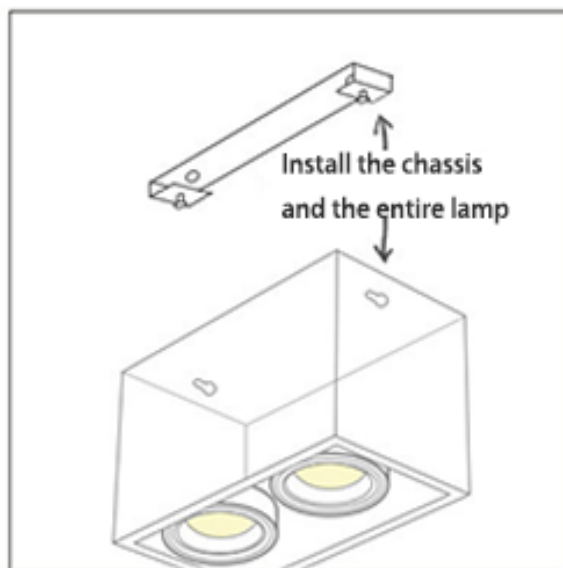
Double head installation instructions



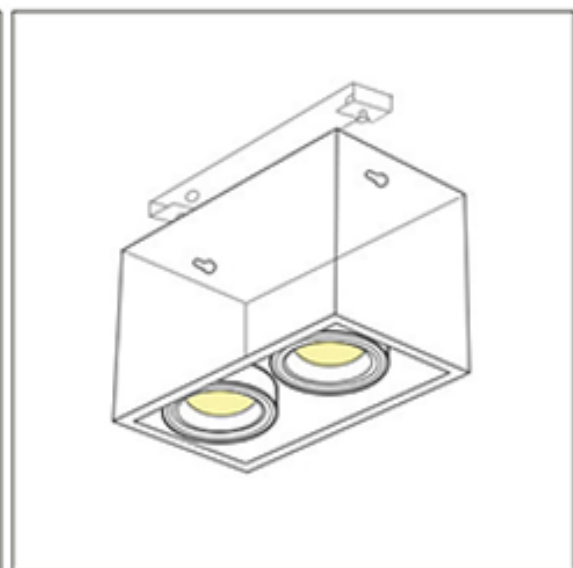
① Install screws to secur the chassis of yhe lighting fixture



② Connect wires and terminals



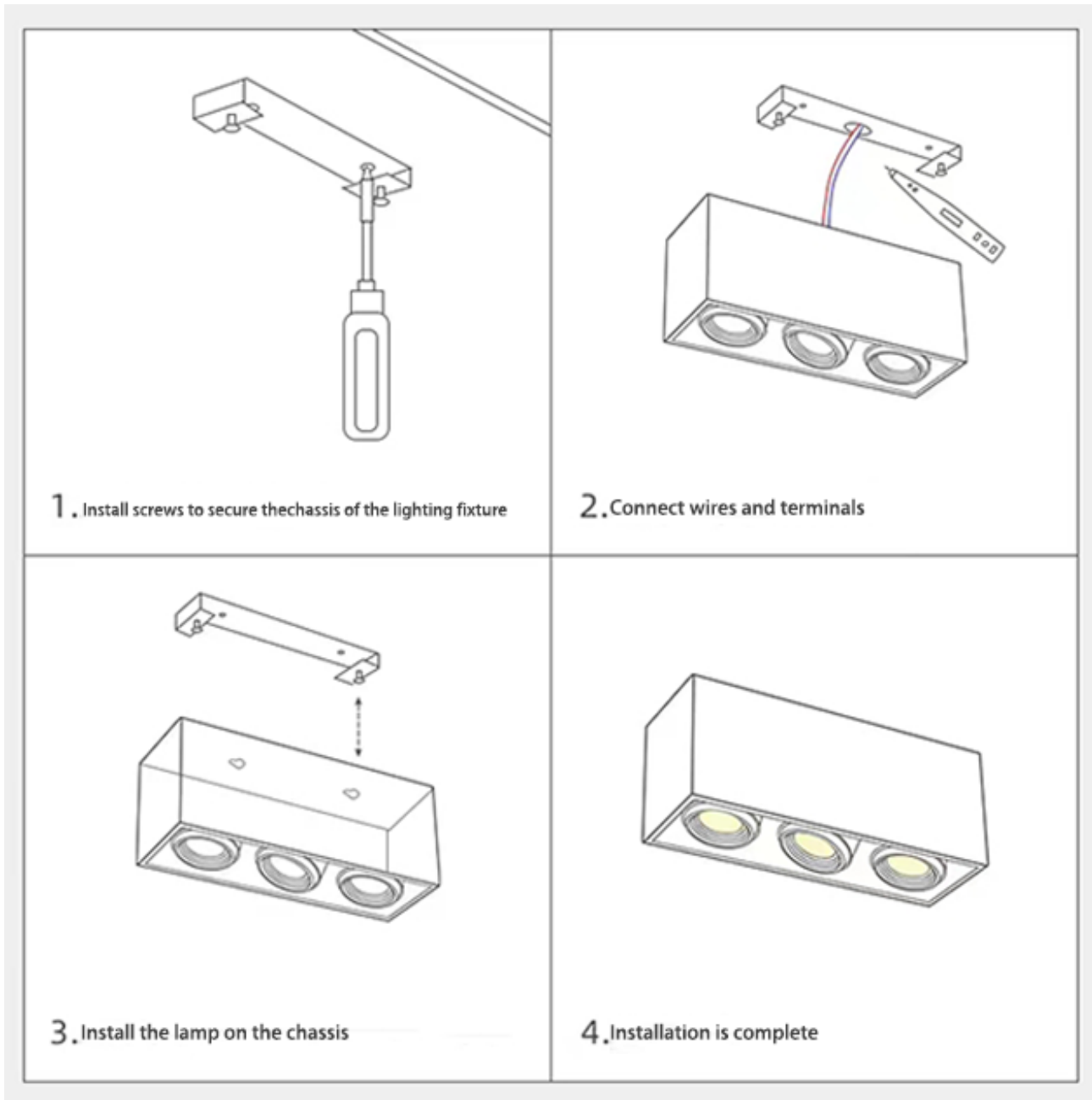
③ Install the lamp on the chassis



④ Installation is complete

The front-end power supply must be cut off during installation. The power supply must be cut off when repairing or replacing parts.

Three head installation instructions



The front-end power supply must be cut off during installation. The power supply must be cut off when repairing or replacing parts.

10th floor, building C1, Songhu Zhigu building, No. 9, Yanhe South Road, Liaobu Town, Dongguan City, Guangdong Province, China.

liu@fitlight-tech.com

www.fitlight-tech.com / <https://fitlight.en.alibaba.com>

Caution:

- WARNING-Risk of fire or electric shock. LED Down light installation requires knowledge of luminaire electrical systems.
- If not qualified, do not attempt installation. Contact a qualified electrician.
- WARNING-To prevent wiring damage or abrasion, do not expose wiring to edges of sheet metal or other sharp objects.

Hygiene & Safety

- Provide the illumination required in the work area for moving parts.
- We advise to use the soft cloth to clean up and do not attempt to use any chemical agent.
- In order to avoid any damages from the surface.
- Minimize the accumulation of dirt on the lamps and spotlights;
- For your safety, please cut off the power supply before changing or cleaning the lamp source.
- Facilitate maintenance.