

Thanks for choosing our products, in order to protect your consumption right and personal safety, please read this instruction carefully before uses and keep this as the future reference.

Attention:

- Before installing the luminaire, please check whether the rated voltage of the luminaire is consistent with the voltage of the wiring power supply to avoid damage to the luminaire due to voltage inconsistency.
- Touching these parts without disconnecting the power supply may cause an electric shock. So, installation must be done by professional electrician.
- Please ensure the power has been cut off before installation, in order to prevent the electric shock, make sure the power supply that can't be resumed by anybody before the job done.
- Keep the surface of the lamp housing and transparent parts clean to ensure good light transmission.
- Plastic materials are used in some parts of the spotlight. Applying organic solvents (such as benzene), or other chemicals for cleaning may cause deformation or discolouration. Clean the device gently, using a soft dry cloth.
- Each fixing screw must be tightened when installing.
- The cable entry line should be fixed and prevented from pulling the wire and damaging the lamp.
- Avoid collision with hard objects to avoid scratches.
- Do not spray or pour water on the unit, this may cause an electric shock.
- Do not install the unit in locations subject to high and/or low temperatures (this may damage the LED lamp).
- The maintenance should be done by the professional. The luminaire must be grounded reliably and non-professionals must not disassemble the luminaire.
- The front-end power supply must be cut off during installation. The power supply must be cut off when repairing or replacing parts.
- The defective ballast could not be treated as the normal rubbish and should be returned and make use of the normal parts.
- Regarding the repair of the equipment contact Technical Support.

Dongguan Fitlight Lighting Co.,Ltd.

Add: 10th floor, building C1, Songhu Zhigu building, No. 9, Yanhe South Road, Liaobu Town, Dongguan City, Guangdong Province, China.

Email : liu@fitlight-tech.com URL: www.fitlight-tech.com / <https://fitlight.en.alibaba.com>

FEITL
 东莞市菲特莱照明有限公司
 DONGGUAN FITLIGHT LIGHTING CO.,LTD

OEM/ODM

Professional Lighting Product Manufacturer

1. 14+ Years of Industry Leadership
2. Full Customization (OEM/ODM)
3. Certified Excellence: Globally recognized certifications (CE, RoHS, SAA, etc.)
4. Energy-Efficient & Sustainable Solutions
5. Competitive Pricing & Fast Turnaround
6. Dedicated R&D & Continuous Innovation

<h1>14⁺</h1> <p>Production experience</p>	<h1>3000^{+m²}</h1> <p>Factory space</p>	<h1>50⁺</h1> <p>Patent certificate</p>
<h1>100⁺</h1> <p>Projects</p>	<h1>10000^{+pcs}</h1> <p>Daily output value</p>	<h1>100⁺</h1> <p>Service country</p>



Dongguan Fitlight Lighting Co.,Ltd.

Add: 10th floor, building C1, Songhu Zhigu building, No. 9, Yanhe South Road, Liaobu Town, Dongguan City, Guangdong Province, China.
 Email : liu@fitlight-tech.com URL: www.fitlight-tech.com / <https://fitlight.en.alibaba.com>

Features and Benefits

- Light source: COB LED
- Long LED life: More than 50,000 hours
- Low heat, less than 60°C
- No UV or IR light radiation
- No mercury or other inorganic
- Homogeneous flood illumination
- Machined aluminum heat fins with excellent thermal efficiencies
- The LED down light is available in the following white color temperatures: 2700/3000/4000/5000/6000K
- 3 or 5 years limited warranty(3 years for Epistar LED chip model and 5 years for Cree /OSRAM LED chip version)
- Works with worldwide lighting systems 110VAC/220VAC



Typical Applications

- Spot lighting
- Retail Store lighting
- Commercial lighting
- Residential lighting
- General lighting
- Energy Saving Programs
- Sustainable Energy



Black



White

Dongguan Fitlight Lighting Co.,Ltd.

Add: 10th floor, building C1, Songhu Zhigu building, No. 9, Yanhe South Road, Liaobu Town, Dongguan City, Guangdong Province, China.

Email : liu@fitlight-tech.com URL: www.fitlight-tech.com / <https://fitlight.en.alibaba.com>

PRODUCT SPECIFICATIONS

LAMP TYPE	Integrated Drive Zoom Track light series
LIGHT SOURCE	Cree/OSRAM or Epistar COB LED (Other driver brands can also choose from)
Driver	Osram / Tridonic/ LIFUD (Other driver brands can also choose from)
Input voltage (volts)	AC 110V (± 10%)/AC 220V(± 10%)
Power	15/20/25/30/35/40W/45W
BEAM ANGLE	10° -55° ±3° adjustable
RENDERING INDEX (Ra)	>80Ra or 90Ra
Material Quality	Aluminum
Color Temperature	Warm White(2700K/3000K) / Natural White(4000K) / Cool white(5000K/6000K)
Efficiency	85-90lm/w±10% for non-dimmable model; 80-85lm/w±10% for dimmable model;
OPTICS	lens
HEATSINK	Machined pure aluminum with anodize finish
BASE TYPE	2/3/4-phase
DIMMABILITY	Dimmable(0-10V /Triac /Dali) / or Non-dimmable Model
Key Feature 1	Adjustable Angle Flicker Free Cob Focus Led Track Light
Key Feature 2	Track Light Cob Focus Adjustable Track Light
Certification	CE/EMC/LVD/ROHS/SAA(Whole lamp);Driver(CE/EMC/LVD/ROHS/CB/SAA/UL)

ENVIRONMENTAL SPECIFICATIONS

TEMPERATURE RANGE	Ambient: -20°C to 40°C; Surface of Lamp: 60°C to 70°C
HUMIDITY RANGE	0 to 95% non-condensing humidity

PRODUCT CODE: FT-TL05-X₁/X₂

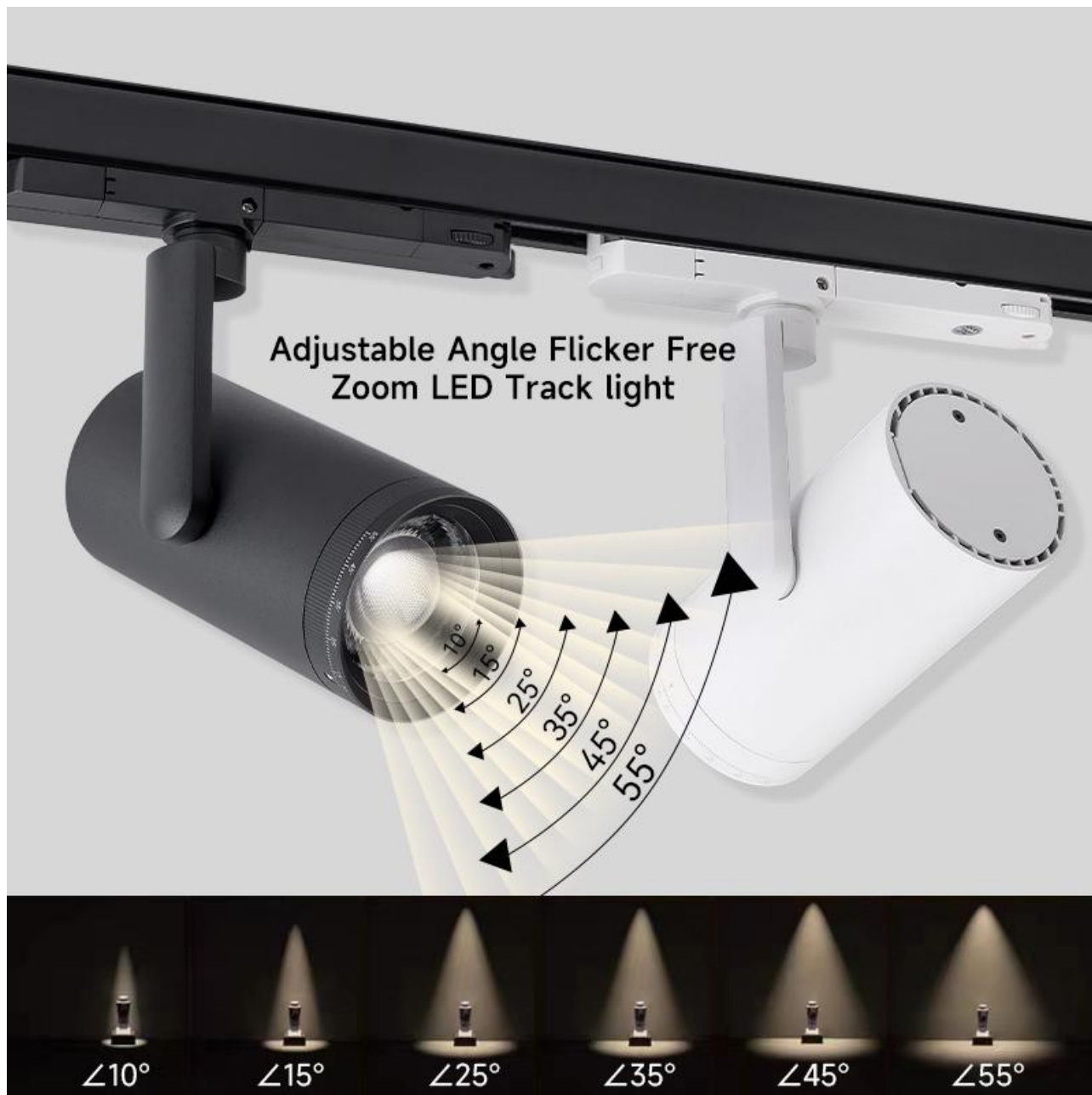
X1: Power

X2: LED chip(CREE/OSRAM or EPISTAR)

Dongguan Fitlight Lighting Co.,Ltd.

Add: 10th floor, building C1, Songhu Zhigu building, No. 9, Yanhe South Road, Liaobu Town, Dongguan City, Guangdong Province, China.

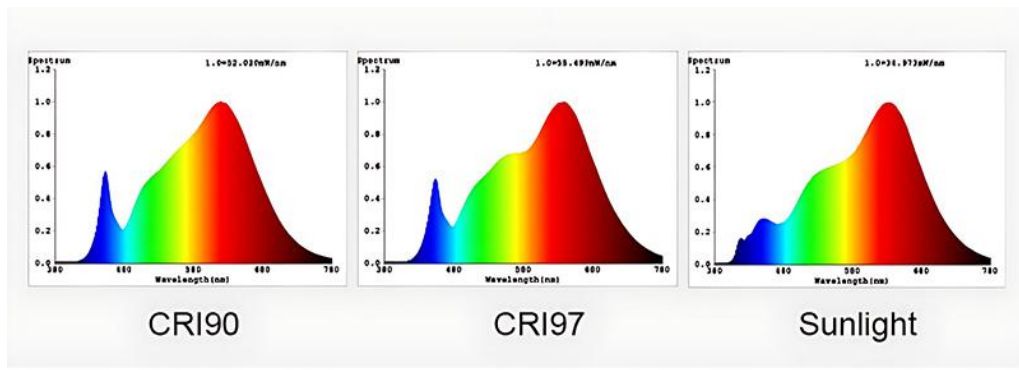
Email : liu@fitlight-tech.com URL: www.fitlight-tech.com / <https://fitlight.en.alibaba.com>



Dongguan Fitlight Lighting Co.,Ltd.

Add: 10th floor, building C1, Songhu Zhigu building, No. 9, Yanhe South Road, Liaobu Town, Dongguan City, Guangdong Province, China.

Email : liu@fitlight-tech.com URL: www.fitlight-tech.com / <https://fitlight.en.alibaba.com>










CCT option



Material Brand Cooperation



COB brand	Power brand
 OSRAM  CREE  Bridgelux	 Lifud  Tridonic  NOVBO  Boke
<p>Other brands are also available</p>	<p>Five-year warranty, no flicker PF > 0.9</p>

Dongguan Fitlight Lighting Co.,Ltd.

Add: 10th floor, building C1, Songhu Zhigu building, No. 9, Yanhe South Road, Liaobu Town, Dongguan City, Guangdong Province, China.

Email : liu@fitlight-tech.com URL: www.fitlight-tech.com / <https://fitlight.en.alibaba.com>



10°-55° free focusing



High brightness
COB lens light source



Precision painted
aluminum lamp body

Dongguan Fitlight Lighting Co.,Ltd.

Add: 10th floor, building C1, Songhu Zhigu building, No. 9, Yanhe South Road, Liaobu Town, Dongguan City, Guangdong Province, China.

Email : liu@fitlight-tech.com URL: www.fitlight-tech.com / <https://fitlight.en.alibaba.com>

Arbitrary adjustment of irradiation angle

360° rotation / vertical 180° adjustment / 10°-55° zoom adjustment



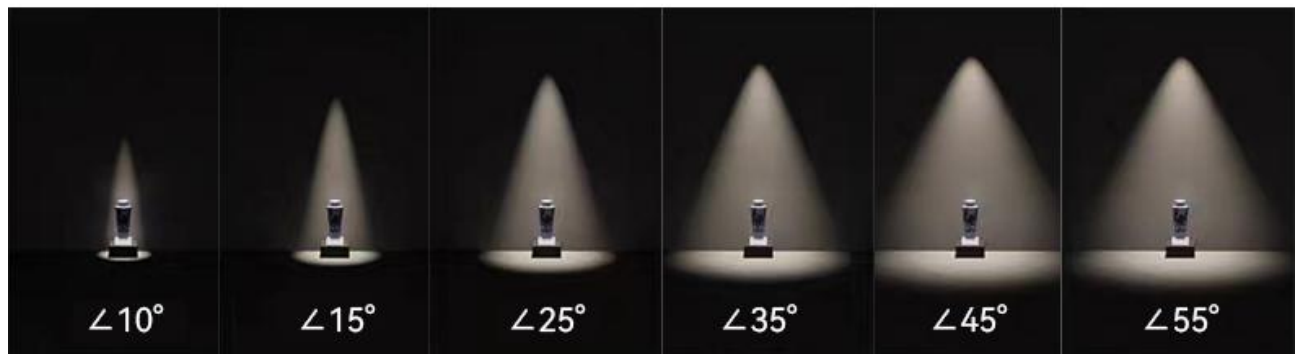
Dongguan Fitlight Lighting Co.,Ltd.

Add: 10th floor, building C1, Songhu Zhigu building, No. 9, Yanhe South Road, Liaobu Town, Dongguan City, Guangdong Province, China.

Email : liu@fitlight-tech.com URL: www.fitlight-tech.com / <https://fitlight.en.alibaba.com>

Rotating lamp head wave wheel

Adjustable lighting angle



$\angle 10^\circ$: Suitable for small items, handicrafts, decorations, jewelry, etc.

$\angle 15^\circ$: Suitable for small items, handicrafts, decorations, jewelry, etc.

$\angle 25^\circ$: Suitable for vases, small cultural relics, hanging paintings, etc.

$\angle 35^\circ$: Suitable for exhibits, cultural relics, display cabinets, etc.

$\angle 45^\circ$: Suitable for statues, fashion models, wall paintings, hanging paintings, etc.

$\angle 55^\circ$: Suitable for large-scale lighting, wall carving, exhibition stands, wall paintings, etc.

Dongguan Fitlight Lighting Co.,Ltd.

Add: 10th floor, building C1, Songhu Zhigu building, No. 9, Yanhe South Road, Liaobu Town, Dongguan City, Guangdong Province, China.

Email : liu@fitlight-tech.com URL: www.fitlight-tech.com / <https://fitlight.en.alibaba.com>

PRODUCT SIZE



Dongguan Fitlight Lighting Co.,Ltd.

Add: 10th floor, building C1, Songhu Zhigu building, No. 9, Yanhe South Road, Liaobu Town, Dongguan City, Guangdong Province, China.

Email : liu@fitlight-tech.com URL: www.fitlight-tech.com / <https://fitlight.en.alibaba.com>

Focusing and dimming guide spotlights



Luminous angle adjustment



Up and down angle adjustment



Angle rotation adjustment



Installation method of soft track



Easy installation



15W

20W

25W

30W/35W

40W/45W



- ▶ Focusable - Dimmable
- ▶ 15W-45W different power options

Dongguan Fitlight Lighting Co.,Ltd.

Add: 10th floor, building C1, Songhu Zhigu building, No. 9, Yanhe South Road, Liaobu Town, Dongguan City, Guangdong Province, China.

Email : liu@fitlight-tech.com URL: www.fitlight-tech.com / <https://fitlight.en.alibaba.com>



White Front



Black Front



White Back



Black Back



Adopting a soft convex lens focusing method

Adopting a soft convex lens focusing method



Internal focusing design

Simply rotate the focusing ring to achieve the focusing effect. The focusing process does not change the shape of the lamp body, and the focusing range is 10°-55°



Metal back cover

Metal back cover with thermal conductivity holes, good heat dissipation design



All aluminum lamp body design

The heat dissipation effect is very good, and the maximum safe heat dissipation wattage can reach 40 watts

Dongguan Fitlight Lighting Co.,Ltd.

Add: 10th floor, building C1, Songhu Zhigu building, No. 9, Yanhe South Road, Liaobu Town, Dongguan City, Guangdong Province, China.

Email : liu@fitlight-tech.com URL: www.fitlight-tech.com / <https://fitlight.en.alibaba.com>

DIMMABLE

Single color dimmable



TRIAC



0-10V

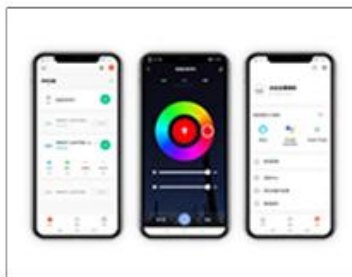


DALI

2700-6000K tunable



2.4G



TUYA
(Bluetooth WiFi ZIGBEE)



DALI DT8

LED Track light Model at Ta=25°

Parameter	Symbol	Min	Type	Max	Unit
Input Voltage (AC)	V _{AC}	165	230	265	V
Estimated Life ^[*]		—	50,000	—	hours
Optimized Body Temperature	T	—	55	60	°C

Note[*] – Manufacturer projects Down Light made with COB LED to maintain an average of 70% lumens maintenance after 30,000 hours. This estimation is made based on data from LED manufacturer

Dongguan Fitlight Lighting Co.,Ltd.

Add: 10th floor, building C1, Songhu Zhigu building, No. 9, Yanhe South Road, Liaobu Town, Dongguan City, Guangdong Province, China.

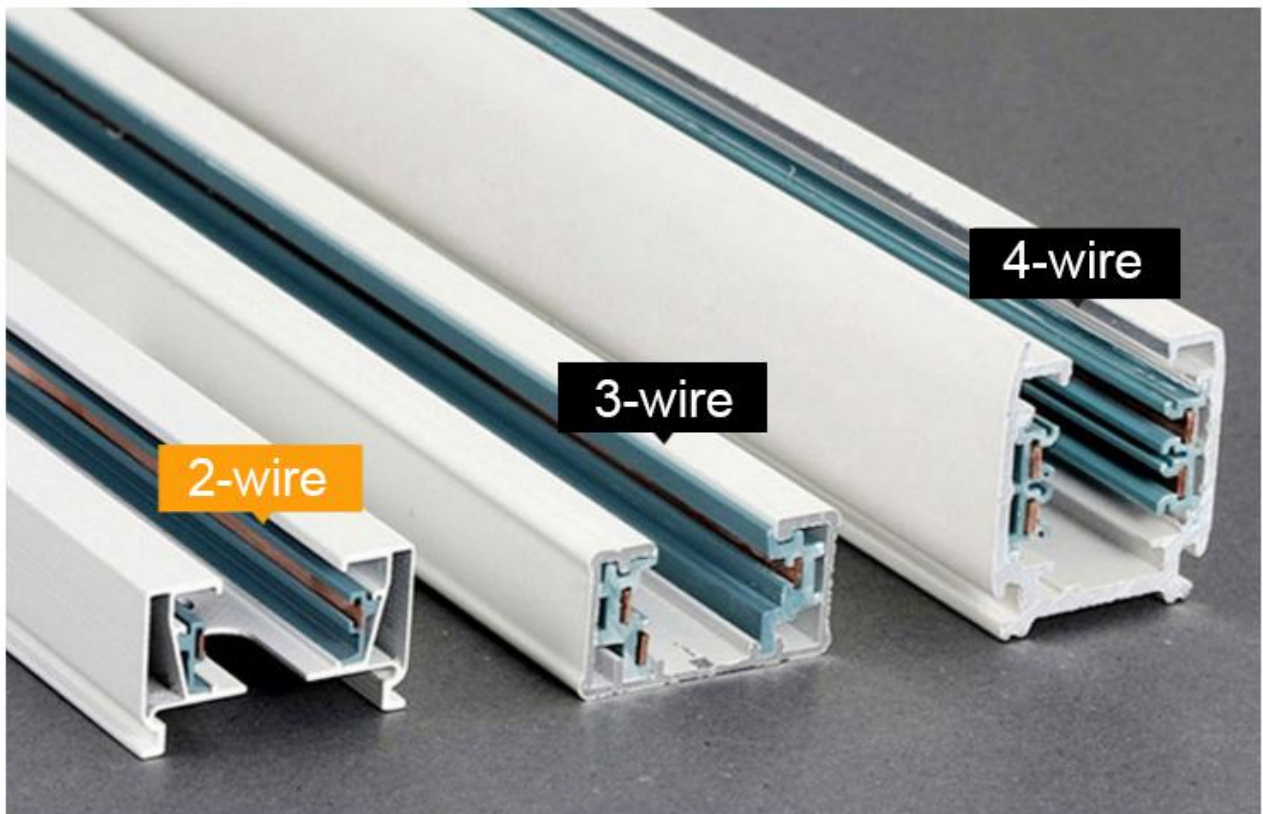
Email : liu@fitlight-tech.com URL: www.fitlight-tech.com / <https://fitlight.en.alibaba.com>

Click here for more information and offers!!!

Aluminum CE RoHS 1M 1.5M 2M 3M LED Track Light Rail System

2wires / 3wires / 4wires LED System Track Rail (optional)

Shell color: White and Black for optional



Dongguan Fitlight Lighting Co.,Ltd.

Add: 10th floor, building C1, Songhu Zhigu building, No. 9, Yanhe South Road, Liaobu Town, Dongguan City, Guangdong Province, China.

Email : liu@fitlight-tech.com URL: www.fitlight-tech.com / <https://fitlight.en.alibaba.com>

Multiple sizes available

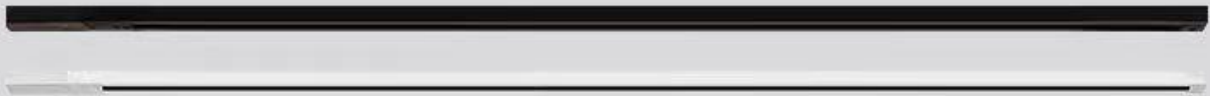
Two colors, three specifications to choose from, suitable for various venues



1 meter track rail



1.5 meter track rail



2 meter track rail



Suggest 1 meter: Install 2-3pcs lights



Suggest 1.5 meter: Install 3-4pcs lights



Suggest 2 meter: Install 4-5pcs lights

Dongguan Fitlight Lighting Co.,Ltd.

Add: 10th floor, building C1, Songhu Zhigu building, No. 9, Yanhe South Road, Liaobu Town, Dongguan City, Guangdong Province, China.

Email : liu@fitlight-tech.com URL: www.fitlight-tech.com / <https://fitlight.en.alibaba.com>

TRACK RAIL CONNECTION ACCESSORIES



I - Coupler



L - Coupler



T - Coupler



X - Coupler

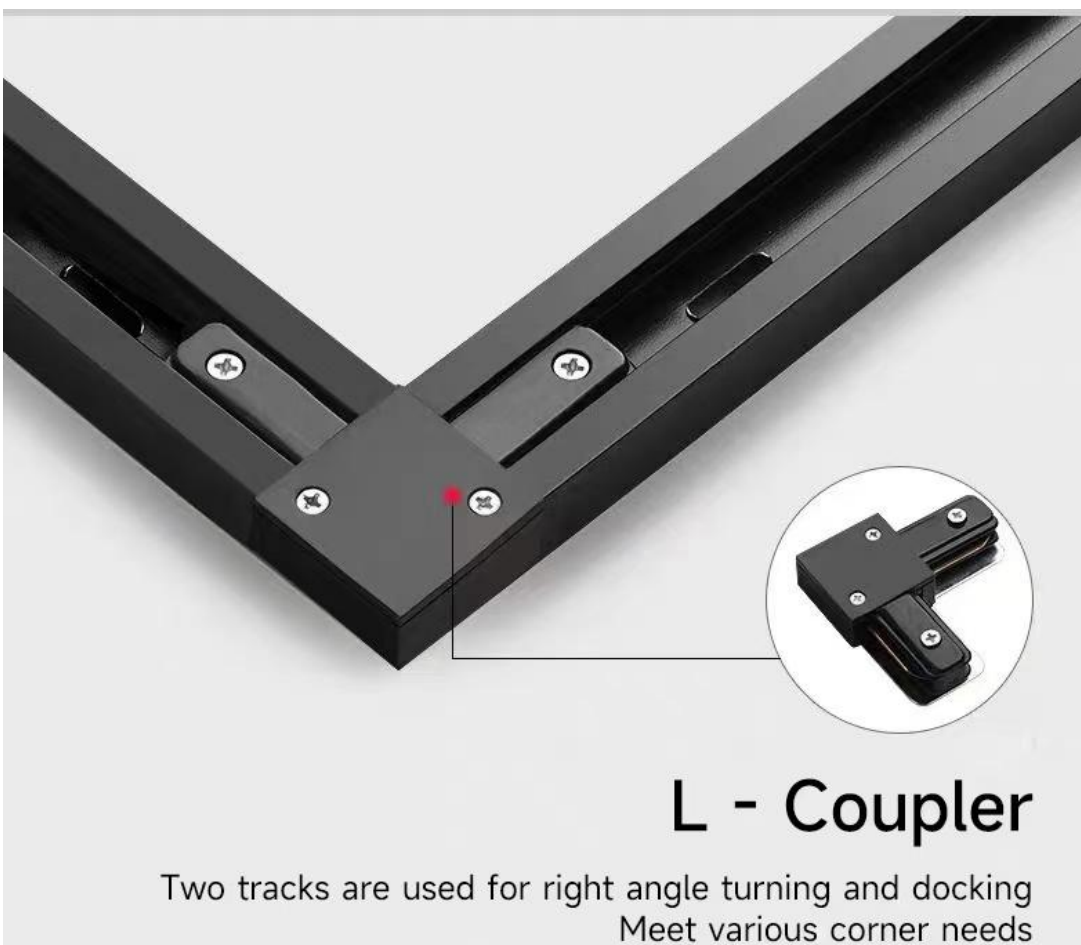


Flexible Connector

Dongguan Fitlight Lighting Co.,Ltd.

Add: 10th floor, building C1, Songhu Zhigu building, No. 9, Yanhe South Road, Liaobu Town, Dongguan City, Guangdong Province, China.

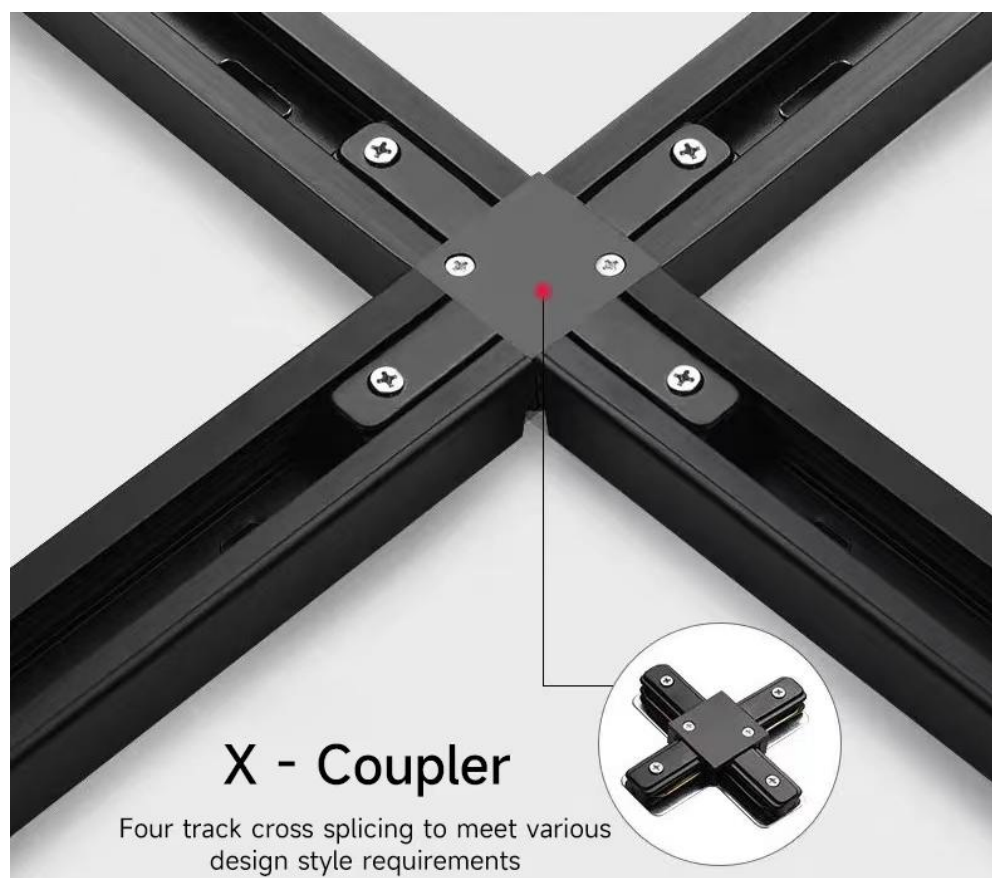
Email : liu@fitlight-tech.com URL: www.fitlight-tech.com / <https://fitlight.en.alibaba.com>



Dongguan Fitlight Lighting Co.,Ltd.

Add: 10th floor, building C1, Songhu Zhigu building, No. 9, Yanhe South Road, Liaobu Town, Dongguan City, Guangdong Province, China.

Email : liu@fitlight-tech.com URL: www.fitlight-tech.com / <https://fitlight.en.alibaba.com>



Dongguan Fitlight Lighting Co.,Ltd.

Add: 10th floor, building C1, Songhu Zhigu building, No. 9, Yanhe South Road, Liaobu Town, Dongguan City, Guangdong Province, China.

Email : liu@fitlight-tech.com URL: www.fitlight-tech.com / <https://fitlight.en.alibaba.com>

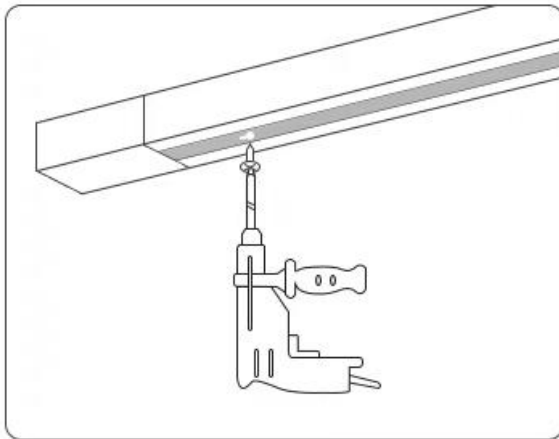


Dongguan Fitlight Lighting Co.,Ltd.

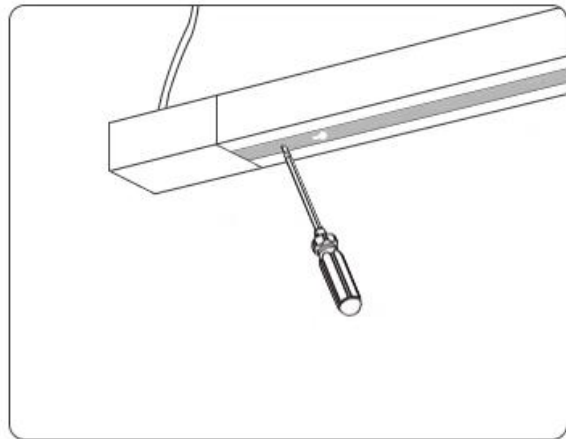
Add: 10th floor, building C1, Songhu Zhigu building, No. 9, Yanhe South Road, Liaobu Town, Dongguan City, Guangdong Province, China.

Email : liu@fitlight-tech.com URL: www.fitlight-tech.com / <https://fitlight.en.alibaba.com>

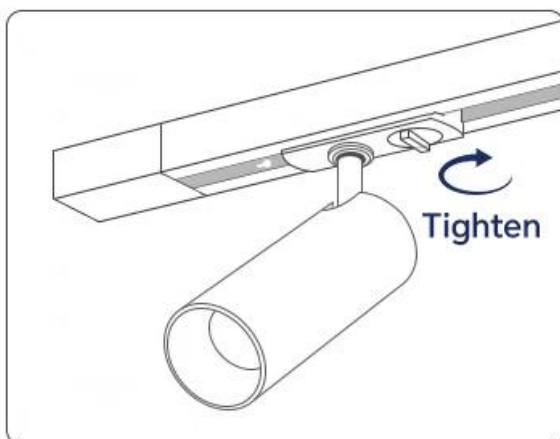
Installation instructions



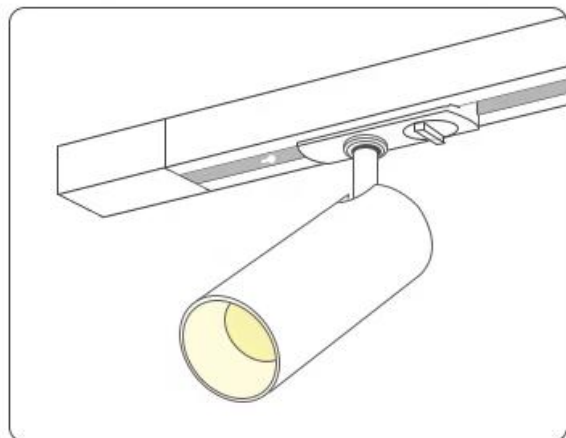
1.Mounting Screws to
Secure Chassis



2.Connecting Wires
to Terminals



3.Install the light into the track



4.Installation completed
turn on the light

Dongguan Fitlight Lighting Co.,Ltd.

Add: 10th floor, building C1, Songhu Zhigu building, No. 9, Yanhe South Road, Liaobu Town, Dongguan City, Guangdong Province, China.

Email : liu@fitlight-tech.com URL: www.fitlight-tech.com / <https://fitlight.en.alibaba.com>

INSTALL APPLICATION



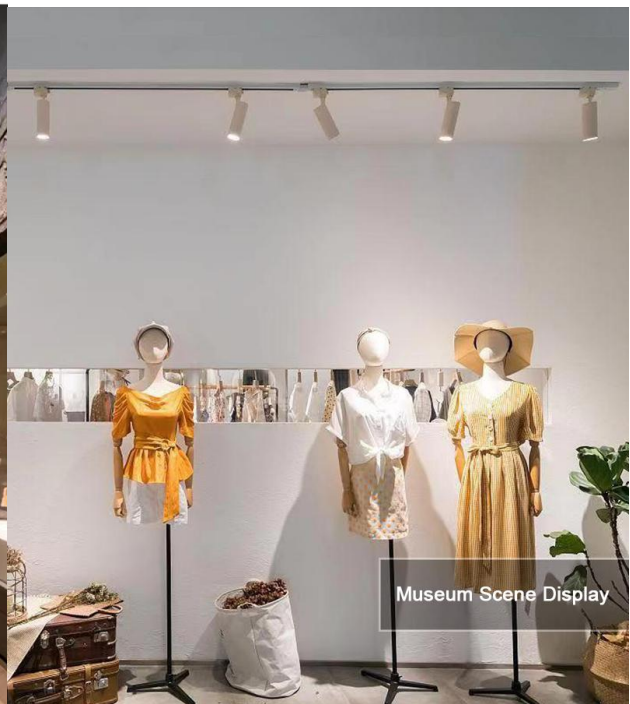
Cultural Museum Scene Display



Science Technology Museum Scene Display



Museum Scene Display



Museum Scene Display

Dongguan Fitlight Lighting Co.,Ltd.

Add: 10th floor, building C1, Songhu Zhigu building, No. 9, Yanhe South Road, Liaobu Town, Dongguan City, Guangdong Province, China.

Email : liu@fitlight-tech.com URL: www.fitlight-tech.com / <https://fitlight.en.alibaba.com>

PACKAGE INFORMATION

15/20W: 12pcs 13.9kg/ CTN 51.5*46.8*25cm

25/30/35W: 12pcs 14.7kg/ CTN 51.5*46.8*25cm

40W/45W: 12pcs 16kg/ CTN 56*35*36.5cm

Caution:

- WARNING-Risk of fire or electric shock. LED Track light installation requires knowledge of luminaire electrical systems.
- If not qualified, do not attempt installation. Contact a qualified electrician.
- WARNING-To prevent wiring damage or abrasion, do not expose wiring to edges of sheet ; metal or other sharp objects.

Hygiene & Safety

- Provide the illumination required in the work area for moving parts.
- We advise to use the soft cloth to clean up and do not attempt to use any chemical agent.
- In order to avoid any damages from the surface.
- Minimize the accumulation of dirt on the lamps and spotlights;
- For your safety, please cut off the power supply before changing or cleaning the lamp source.
- Facilitate maintenance.

Dongguan Fitlight Lighting Co.,Ltd.

Add: 10th floor, building C1, Songhu Zhigu building, No. 9, Yanhe South Road, Liaobu Town, Dongguan City, Guangdong Province, China.

Email : liu@fitlight-tech.com URL: www.fitlight-tech.com / <https://fitlight.en.alibaba.com>