

**Thanks for choosing our products, in order to protect your consumption right and personal safety, please read this instruction carefully before uses and keep this as the future reference.**

### **Attention:**

- Before installing the luminaire, please check whether the rated voltage of the luminaire is consistent with the voltage of the wiring power supply to avoid damage to the luminaire due to voltage inconsistency.
- Touching these parts without disconnecting the power supply may cause an electric shock. So, installation must be done by professional electrician.
- Please ensure the power has been cut off before installation, in order to prevent the electric shock, make sure the power supply that can't be resumed by anybody before the job done.
- Keep the surface of the lamp housing and transparent parts clean to ensure good light transmission.
- Plastic materials are used in some parts of the spotlight. Applying organic solvents (such as benzene), or other chemicals for cleaning may cause deformation or discolouration. Clean the device gently, using a soft dry cloth.
- Each fixing screw must be tightened when installing.
- The cable entry line should be fixed and prevented from pulling the wire and damaging the lamp.
- Avoid collision with hard objects to avoid scratches.
- Do not spray or pour water on the unit, this may cause an electric shock.
- Do not install the unit in locations subject to high and/or low temperatures (this may damage the LED lamp).
- The maintenance should be done by the professional. The luminaire must be grounded reliably and non-professionals must not disassemble the luminaire.
- The front-end power supply must be cut off during installation. The power supply must be cut off when repairing or replacing parts.
- The defective ballast could not be treated as the normal rubbish and should be returned and make use of the normal parts.
- Regarding the repair of the equipment contact Technical Support

Dongguan Fitlight Lighting Co.,Ltd.

Add: 10th floor, building C1, Songhu Zhigu building, No. 9, Yanhe South Road, Liaobu Town, Dongguan City, Guangdong Province, China.

Email : [liu@fitlight-tech.com](mailto:liu@fitlight-tech.com) URL: [www.fitlight-tech.com](http://www.fitlight-tech.com) / <https://fitlight.en.alibaba.com>

**FEITL**  
 东莞市菲特莱照明有限公司  
 DONGGUAN FITLIGHT LIGHTING CO.,LTD

# OEM/ODM

## Professional Lighting Product Manufacturer

1. 14+ Years of Industry Leadership
2. Full Customization (OEM/ODM)
3. Certified Excellence: Globally recognized certifications (CE, RoHS, SAA, etc.)
4. Energy-Efficient & Sustainable Solutions
5. Competitive Pricing & Fast Turnaround
6. Dedicated R&D & Continuous Innovation

<b>14</b> <sup>+years</sup> Production experience	<b>3000</b> <sup>+m<sup>2</sup></sup> Factory space	<b>50</b> <sup>+</sup> Patent certificate
<b>100</b> <sup>+</sup> Projects	<b>10000</b> <sup>+pcs</sup> Daily output value	<b>100</b> <sup>+</sup> Service country



10th floor, building C1, Songhu Zhigu building, No. 9, Yanhe South Road, Liaobu Town, Dongguan City, Guangdong Province, China.

[liu@fitlight-tech.com](mailto:liu@fitlight-tech.com)  
[www.fitlight-tech.com](http://www.fitlight-tech.com) / <https://fitlight.en.alibaba.com>

### Features and Benefits

- Light source: San'an SMD LED
- Long LED life: More than 50,000 hours
- Low heat, less than 60°C
- No UV or IR light radiation
- No mercury or other inorganic
- Homogeneous flood illumination
- Machined aluminum heat fins with excellent thermal efficiencies
- The LED linear light is available in the following white color temperatures:  
2700/3000/4000/5000K
- 5 years limited warranty
- Works with worldwide lighting systems  
110VAC/220VAC



### Typical Applications

- Office lighting
- Retail Store lighting
- Commercial lighting
- Residential lighting
- General lighting
- Energy Saving Programs
- Sustainable Energy



High Quality Aluminum



2/3/4 wire connection

10th floor, building C1, Songhu Zhigu building, No. 9, Yanhe South Road, Liaobu Town, Dongguan City, Guangdong Province, China.

[liu@fitlight-tech.com](mailto:liu@fitlight-tech.com)

[www.fitlight-tech.com](http://www.fitlight-tech.com) / <https://fitlight.en.alibaba.com>

## PRODUCT SPECIFICATIONS

<b>LAMP TYPE</b>	LED Linear Light(track-mounted)
<b>LIGHT SOURCE</b>	San'an SMD LED
<b>Driver</b>	Osram / Tridonic/ LIFUD (Other driver brands can also choose from)
<b>Input voltage (volts)</b>	AC 110V ( ± 10%)/AC 220V( ± 10%)
<b>Power</b>	10/15/20/25/30/35/40/45/50W
<b>BEAM ANGLE</b>	140°±3°
<b>RENDERING INDEX (Ra)</b>	>80Ra or 90Ra
<b>Material Quality</b>	Aluminum
<b>Color Temperature</b>	Warm White(2700K/3000K) / Natural White(4000K) / Cool white(5000K/6000K)
<b>Efficiency</b>	80lm/w±10%
<b>Cover</b>	PC lampshade
<b>HEATSINK</b>	Machined pure aluminum with anodize finish
<b>Installation</b>	Track-mounted
<b>BASE TYPE</b>	Internal Driver
<b>DIMMABILITY</b>	Dimmable(0-10V /Triac /Dali) / or Non-dimmable Model
<b>Adaptor</b>	2/3/4 wire
<b>Length</b>	Length could be customized
<b>Key Feature 1</b>	Aluminum Modern LED Linear Track Light
<b>Key Feature 2</b>	2ft 4ft Commercial Industrial Office Led Linear Light
<b>Certification</b>	CE/EMC/LVD/ROHS/SAA(Whole lamp);Driver(CE/EMC/LVD/ROHS/CB/SAA/UL)

## ENVIRONMENTAL SPECIFICATIONS

<b>TEMPERATURE RANGE</b>	Ambient: -20°C to 40°C; Surface of Lamp: 60°C to 70°C
<b>HUMIDITY RANGE</b>	0 to 95% non-condensing humidity

## PRODUCT CODE: FT-LL1F X1- X2W

X1: Length: 1=300mm, 2=600mm, 4=1200mm.

X2:Power



## LED Track Linear Light

- Anti Glare Office Linear Light
- Multiple Sizes/Dimensions Available
- Multiple Installation Available!
- Pendant/Suspend/Track/Ceiling



5 Years Warranty



TRACK



PENDANT



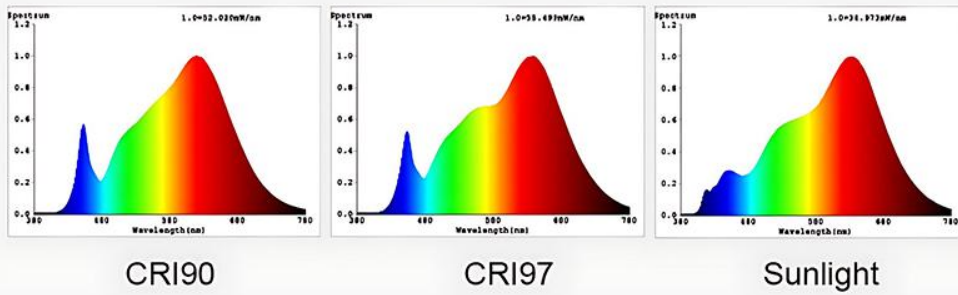
SURFACE  
MOUNTED



100%-1000%  
dimmable



Widely Use



### CCT option



### Material Brand Cooperation

PHILIPS

CREE

OSRAM

EAGLERISE

LIFUD

bridgelux

powered by  
TRIDONIC

LUMINUS

EPISTAR

BOKE

KR  
KERUI GROUP

CITILED®  
The Light Engine

#### COB brand



Other brands are also available

#### Power brand



Five-year warranty, no flicker PF>0.9

10th floor, building C1, Songhu Zhigu building, No. 9, Yanhe South Road, Liaobu Town, Dongguan City, Guangdong Province, China.

[liu@fitlight-tech.com](mailto:liu@fitlight-tech.com)

[www.fitlight-tech.com](http://www.fitlight-tech.com) / <https://fitlight.en.alibaba.com>



10th floor, building C1, Songhu Zhigu building, No. 9, Yanhe South Road, Liaobu Town, Dongguan City, Guangdong Province, China.

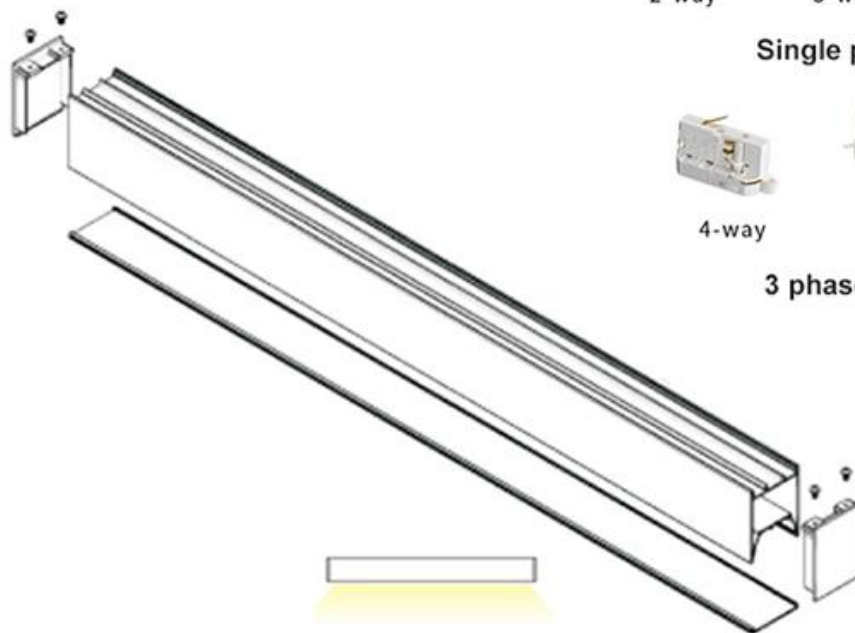
[liu@fitlight-tech.com](mailto:liu@fitlight-tech.com)

[www.fitlight-tech.com](http://www.fitlight-tech.com) / <https://fitlight.en.alibaba.com>



Track Adaptor :

4 wire ; 2 wire / 3 wire can be selected



Single phase



3 phase

Beam Angle: 140°

PC	SMD 2835	PF >0.9	CRI >90	2700K 3000K 4000K 5000K	No Flicker	>80 LM/W	IP20	5 years warranty
----	-------------	------------	------------	----------------------------------	------------	-------------	------	---------------------

Model NO. FT-LL1 series

Length	300mm	600mm	1200mm
Power	10W/12W/15W	20W/25W	35W/40W/45W/50W
LED Quantities	36pcs	72pcs	144pcs

10th floor, building C1, Songhu Zhigu building, No. 9, Yanhe South Road, Liaobu Town, Dongguan City, Guangdong Province, China.

[liu@fitlight-tech.com](mailto:liu@fitlight-tech.com)

[www.fitlight-tech.com](http://www.fitlight-tech.com) / <https://fitlight.en.alibaba.com>

### LED Chip and Driver



### LED CHIP

SMD 2835 as a light source, with high thermal conductivity, low light decay, light pure point;



High  
Brightness



Long  
Life



Power  
Saving



Efficient  
Heat Dissipation

### LED driver : LIFUD or BOKE

Built in high quality drive, we can provide 0-10V, Dali dimming, intelligent sensing, emergency and other functions are optional.

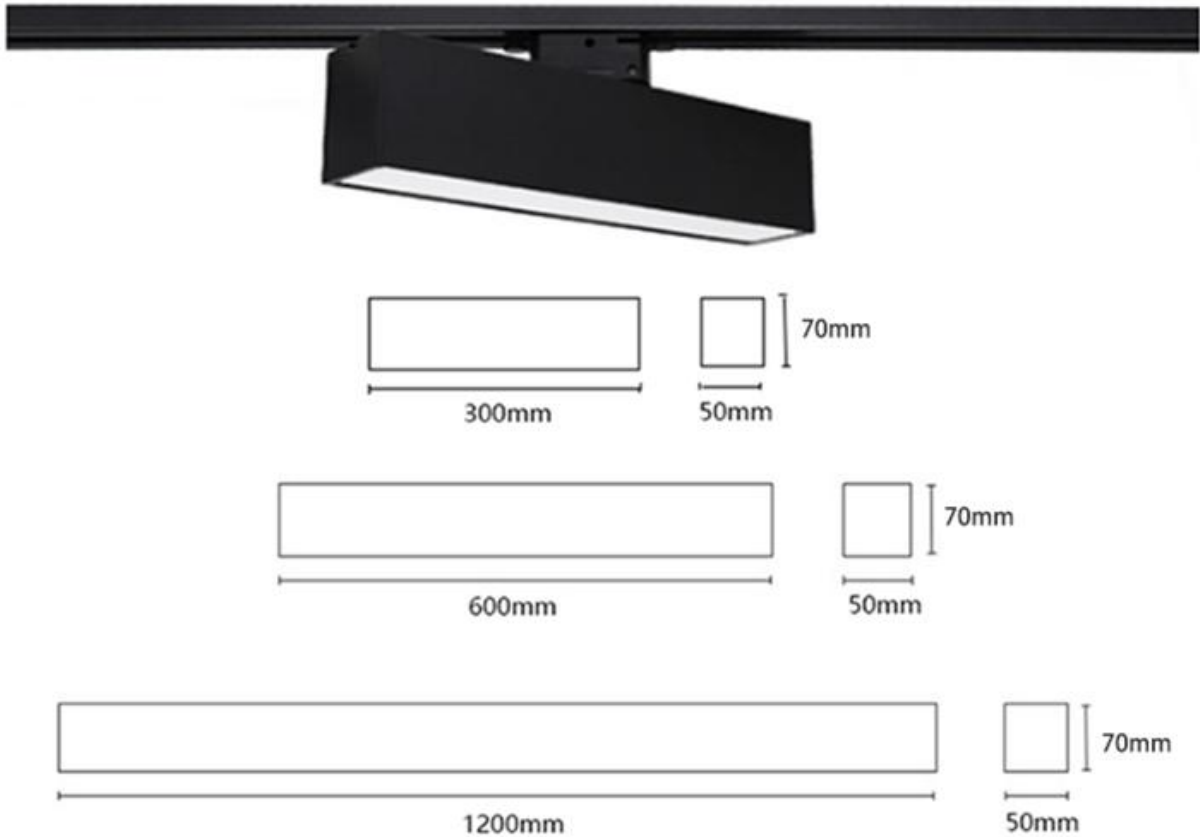


10th floor, building C1, Songhu Zhigu building, No. 9, Yanhe South Road, Liaobu Town, Dongguan City, Guangdong Province, China.

[liu@fitlight-tech.com](mailto:liu@fitlight-tech.com)

[www.fitlight-tech.com](http://www.fitlight-tech.com) / <https://fitlight.en.alibaba.com>

### Product size



Model	Power	Size( L*W*H)
FT-LL1F1 series	10W / 12W/ 15W	300*50*70mm
FT-LL1F2 series	20W/25W	600*50*70mm
FT-LL1F4 series	35W/40W/45W/50W	1200*50*70mm

### LED Linear light Model at Ta=25°

Parameter	Symbol	Min	Type	Max	Unit
Input Voltage (AC)	V <sub>AC</sub>	165	230	265	V
Estimated Life <sup>[*]</sup>		—	50,000	—	hours
Optimized Body Temperature	T	—	55	60	°C

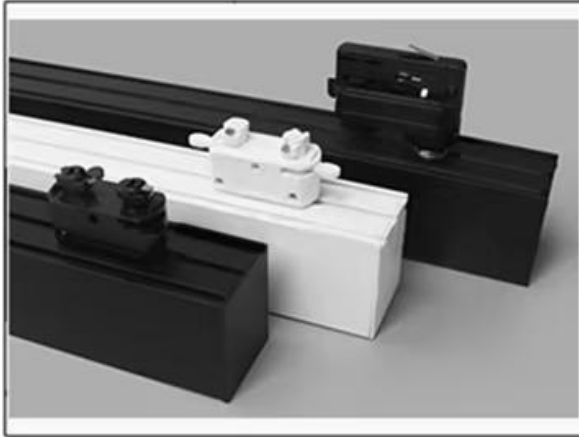
Note[\*] – Manufacturer projects Light made with LED to maintain an average of 70% lumens maintenance after 30,000 hours. This estimation is made based on data from LED manufacturer

10th floor, building C1, Songhu Zhigu building, No. 9, Yanhe South Road, Liaobu Town, Dongguan City, Guangdong Province, China.

[liu@fitlight-tech.com](mailto:liu@fitlight-tech.com)

[www.fitlight-tech.com](http://www.fitlight-tech.com) / <https://fitlight.en.alibaba.com>

### Product details



Light body adopt aviation grade aluminum, light and durable, environment-friendly, fastness



Imported PC frosted transparent mask, soft color, high light output.



Built-in high quality driver, we can provide 1-10V, dali,



SMD 2835 as a light source, with high thermal conductivity, low light decay, light pure point



Neutral packaging



Each line lamp is packaged separately

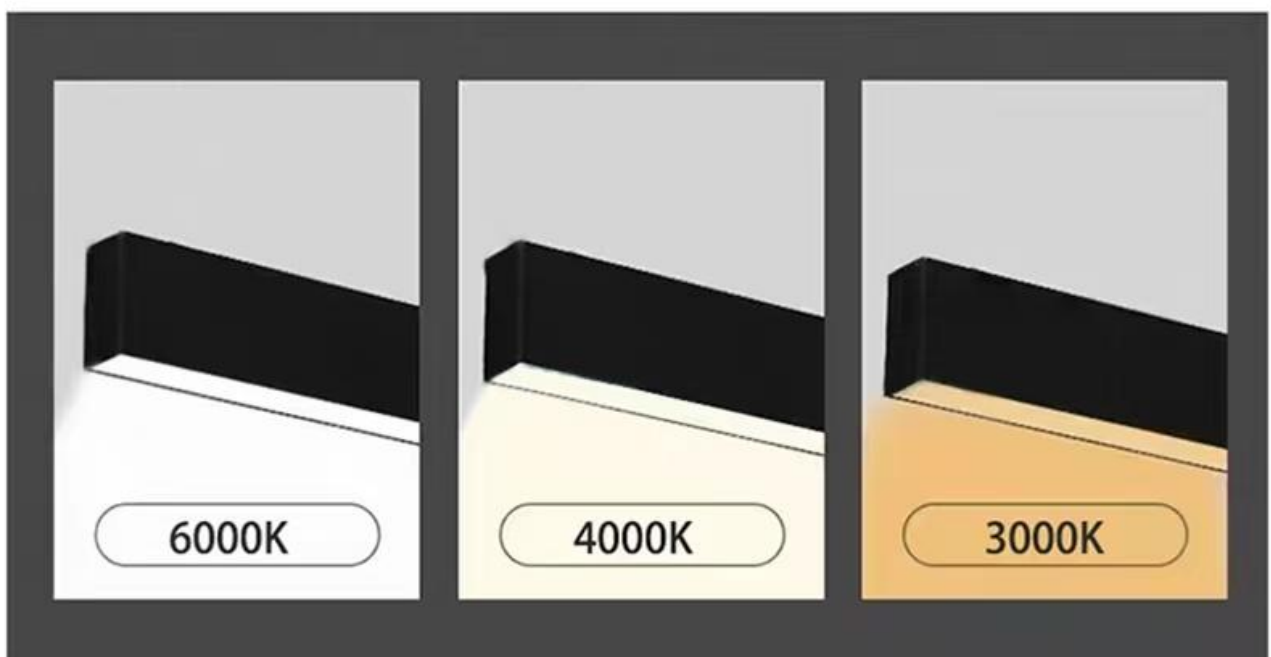
10th floor, building C1, Songhu Zhigu building, No. 9, Yanhe South Road, Liaobu Town, Dongguan City, Guangdong Province, China.

[liu@fitlight-tech.com](mailto:liu@fitlight-tech.com)

[www.fitlight-tech.com](http://www.fitlight-tech.com) / <https://fitlight.en.alibaba.com>



**Different color temperatures  
can be selected**



10th floor, building C1, Songhu Zhigu building, No. 9, Yanhe South Road, Liaobu Town, Dongguan City, Guangdong Province, China.

[liu@fitlight-tech.com](mailto:liu@fitlight-tech.com)

[www.fitlight-tech.com](http://www.fitlight-tech.com) / <https://fitlight.en.alibaba.com>

## High CRI can restore the true color of objects



☑  $RA \geq 90RA$

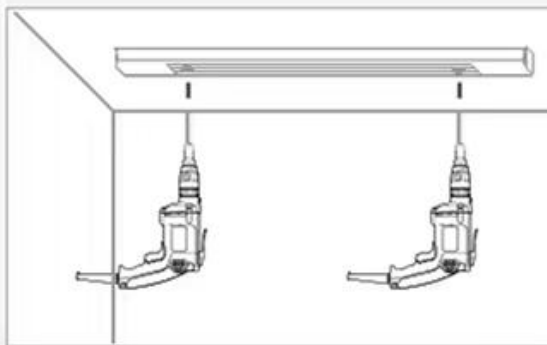
High color reproduction,  
bright and pure



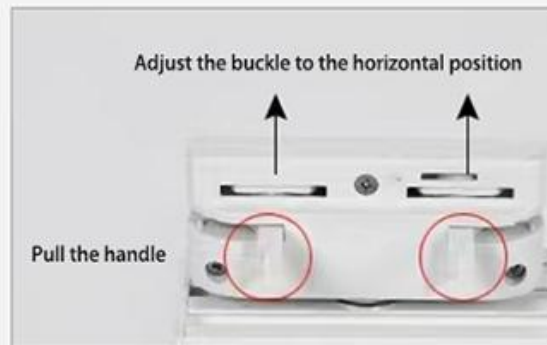
$RA \leq 80RA$

Low color rendering index,  
dull and matte colors

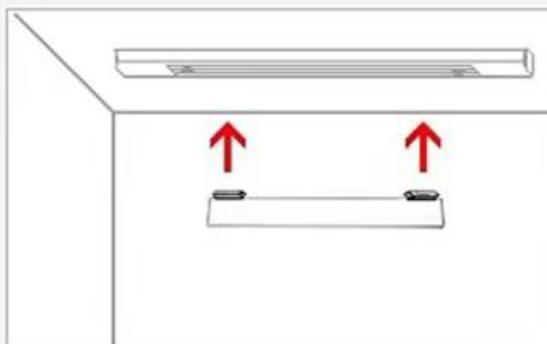
### Installation Instructions



1. Fix and install the track rail



2. Adjusting the Adaptor



3. Install the LED Linear Track light and align the buckle



4. After installation, light up for testing

### APPLICATION



10th floor, building C1, Songhu Zhigu building, No. 9, Yanhe South Road, Liaobu Town, Dongguan City, Guangdong Province, China.

[liu@fitlight-tech.com](mailto:liu@fitlight-tech.com)

[www.fitlight-tech.com](http://www.fitlight-tech.com) / <https://fitlight.en.alibaba.com>

## Caution:

- WARNING-Risk of fire or electric shock. LED Linear light installation requires knowledge of luminaire electrical systems.
- If not qualified, do not attempt installation. Contact a qualified electrician.
- WARNING-To prevent wiring damage or abrasion, do not expose wiring to edges of sheet metal or other sharp objects.

## Hygiene & Safety

- Provide the illumination required in the work area for moving parts.
- We advise to use the soft cloth to clean up and do not attempt to use any chemical agent.
- In order to avoid any damages from the surface.
- Minimize the accumulation of dirt on the lamps and spotlights;
- For your safety, please cut off the power supply before changing or cleaning the lamp source.
- Facilitate maintenance.