

Thanks for choosing our products, in order to protect your consumption right and personal safety, please read this instruction carefully before uses and keep this as the future reference.

Attention:

- Before installing the luminaire, please check whether the rated voltage of the luminaire is consistent with the voltage of the wiring power supply to avoid damage to the luminaire due to voltage inconsistency.
- Touching these parts without disconnecting the power supply may cause an electric shock. So, installation must be done by professional electrician.
- Please ensure the power has been cut off before installation, in order to prevent the electric shock, make sure the power supply that can't be resumed by anybody before the job done.
- Keep the surface of the lamp housing and transparent parts clean to ensure good light transmission.
- Plastic materials are used in some parts of the spotlight. Applying organic solvents (such as benzene), or other chemicals for cleaning may cause deformation or discolouration. Clean the device gently, using a soft dry cloth.
- Each fixing screw must be tightened when installing.
- The cable entry line should be fixed and prevented from pulling the wire and damaging the lamp.
- Avoid collision with hard objects to avoid scratches.
- Do not spray or pour water on the unit, this may cause an electric shock.
- Do not install the unit in locations subject to high and/or low temperatures (this may damage the LED lamp).
- The maintenance should be done by the professional. The luminaire must be grounded reliably and non-professionals must not disassemble the luminaire.
- The front-end power supply must be cut off during installation. The power supply must be cut off when repairing or replacing parts.
- The defective ballast could not be treated as the normal rubbish and should be returned and make use of the normal parts.
- Regarding the repair of the equipment contact Technical Support.

Dongguan Fitlight Lighting Co.,Ltd.

Add: 10th floor, building C1, Songhu Zhigu building, No. 9, Yanhe South Road, Liaobu Town, Dongguan City, Guangdong Province, China.

Email : liu@fitlight-tech.com URL: www.fitlight-tech.com / <https://fitlight.en.alibaba.com>



OEM/ODM

Professional Lighting Product Manufacturer

- 1. 14+ Years of Industry Leadership
- 2. Full Customization (OEM/ODM)
- 3. Certified Excellence: Globally recognized certifications (CE, RoHS, SAA, etc.)
- 4. Energy-Efficient & Sustainable Solutions
- 5. Competitive Pricing & Fast Turnaround
- 6. Dedicated R&D & Continuous Innovation

14^{+years}
Production experience

3000^{+m²}
Factory space

50⁺
Patent certificate

100⁺
Projects

10000^{+pcs}
Daily output value

100⁺
Service country



Dongguan Fitlight Lighting Co.,Ltd.

Add: 10th floor, building C1, Songhu Zhigu building, No. 9, Yanhe South Road, Liaobu Town, Dongguan City, Guangdong Province, China.

Email : liu@fitlight-tech.com URL: www.fitlight-tech.com / <https://fitlight.en.alibaba.com>

Features and Benefits

- Light source: COB LED
- Long LED life: More than 50,000 hours
- Low heat, less than 60°C
- No UV or IR light radiation
- No mercury or other inorganic
- Homogeneous flood illumination
- Machined aluminum heat fins with excellent thermal efficiencies
- The LED down light is available in the following white color temperatures: 2700/3000/3500/4000/5000/6000K
- 5 years limited warranty (bridgelux SMD LED chip version)
- Works with worldwide lighting systems 110VAC/220VAC



Typical Applications

- Spot lighting
- Retail Store lighting
- Commercial lighting
- Residential lighting
- General lighting
- Energy Saving Programs
- Sustainable Energy



IP54 150-160LM/W



DC connector with Lock



Aluminum Heatsink



Brand Driver

Dongguan Fitlight Lighting Co.,Ltd.

Add: 10th floor, building C1, Songhu Zhigu building, No. 9, Yanhe South Road, Liaobu Town, Dongguan City, Guangdong Province, China.

Email : liu@fitlight-tech.com URL: www.fitlight-tech.com / <https://fitlight.en.alibaba.com>

PRODUCT SPECIFICATIONS

| | |
|------------------------------|--|
| LAMP TYPE | Recessed P54 High Efficient 150-160LM/W Down Light DLT05 Series |
| LIGHT SOURCE | Bridgelux SMD Chip (Other driver brands can also choose from) |
| Driver | Osram / Tridonic/ LIFUD (Other driver brands can also choose from) |
| Input voltage (volts) | AC 110V (± 10%)/AC 220V(± 10%) |
| Power | 10W/15W/20W/25W/30W/35W/40W/45W/50W |
| BEAM ANGLE | 60° ±3° |
| RENDERING INDEX (Ra) | >90Ra |
| Material Quality | Aluminum |
| Color Temperature | Warm White(2700K/3000K/3500K) / Natural White(4000K) / Cool white(5000K/6000K) |
| Efficiency | High Luminous Efficiency 150-160LM/W |
| OPTICS | Aluminum coating reflector |
| HEATSINK | Machined pure aluminum with anodize finish |
| Installation | Recessed/Embedded |
| BASE TYPE | External Driver |
| DIMMABILITY | Dimmable(0-10V /Triac /Dali) / or Non-dimmable Model |
| Key Feature 1 | Aluminum Cob Anti-glare Down Lights |
| Key Feature 2 | IP54 High Efficient 150-160LM/W |
| Certification | CE/EMC/LVD/ROHS/SAA(Whole lamp);Driver(CE/EMC/LVD/ROHS/CB/SAA/UL) |

ENVIRONMENTAL SPECIFICATIONS

| | |
|--------------------------|---|
| TEMPERATURE RANGE | Ambient: -20°C to 40°C; Surface of Lamp: 60°C to 70°C |
| HUMIDITY RANGE | 0 to 95% non-condensing humidity |

PRODUCT CODE: FT-DLT05-X₁/X₂

X1: Power

X2: LED chip(Bridgelux SMD Chip)

Dongguan Fitlight Lighting Co.,Ltd.

Add: 10th floor, building C1, Songhu Zhigu building, No. 9, Yanhe South Road, Liaobu Town, Dongguan City, Guangdong Province, China.

Email : liu@fitlight-tech.com URL: www.fitlight-tech.com / <https://fitlight.en.alibaba.com>



Square Down Light IP54
High Luminous Efficiency
150-160LM/W

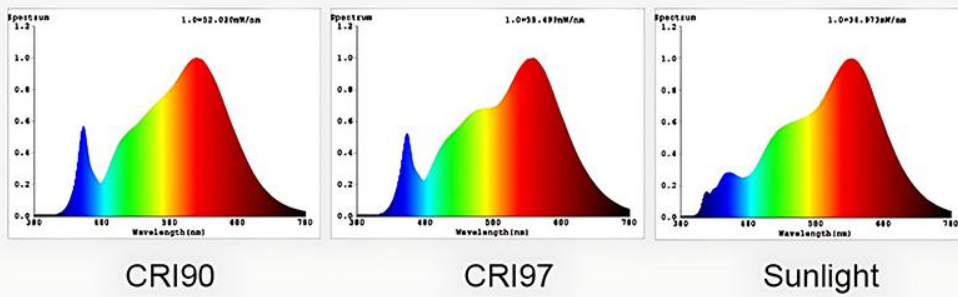
10W-50W UGR<19 Flicker Free



Dongguan Fitlight Lighting Co.,Ltd.

Add: 10th floor, building C1, Songhu Zhigu building, No. 9, Yanhe South Road, Liaobu Town, Dongguan City, Guangdong Province, China.

Email : liu@fitlight-tech.com URL: www.fitlight-tech.com / <https://fitlight.en.alibaba.com>



CCT option



Material Brand Cooperation



COB brand

OSRAM CREE Bridgelux

Other brands are also available

Power brand

Lifud Tridonic NOVBO Boke

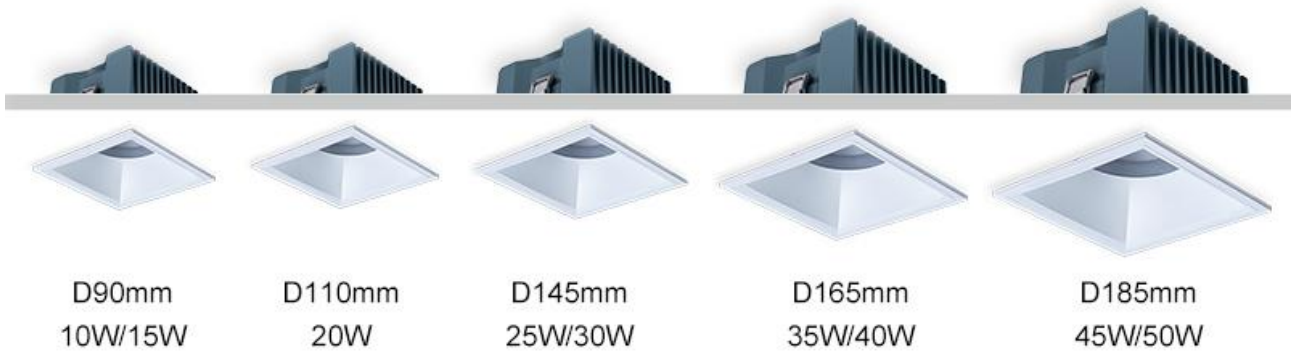
Five-year warranty, no flicker PF>0.9

Dongguan Fitlight Lighting Co.,Ltd.

Add: 10th floor, building C1, Songhu Zhigu building, No. 9, Yanhe South Road, Liaobu Town, Dongguan City, Guangdong Province, China.

Email : liu@fitlight-tech.com URL: www.fitlight-tech.com / <https://fitlight.en.alibaba.com>

FEITL IP54 High Efficient 150-160LM/W Downlight -DLT05 Series



| MODEL | POWER | CUTOUT | SIZE | CRI | COLOR TEMPERATURE | WORKING VOLTAGE |
|--------------|-------|-----------|--------------|-----|--|--|
| FT-DLT05-10W | 10w | 75*75mm | 90*90*60mm | ≥90 | 2700K 3000K 3500K 4000K 5000K 6000K | AC 200-240V or AC 100-240V |
| FT-DLT05-15W | 15W | 75*75mm | 90*90*60mm | | | |
| FT-DLT05-20W | 20W | 95*95mm | 110*110*70mm | | | |
| FT-DLT05-25W | 25W | 125*125mm | 145*145*75mm | | | |
| FT-DLT05-30W | 30W | 125*125mm | 145*145*75mm | | | |
| FT-DLT05-35W | 35W | 145*145mm | 165*165*85mm | | | |
| FT-DLT05-40W | 40W | 145*145mm | 165*165*85mm | | | |
| FT-DLT05-45W | 45W | 165*165mm | 185*185*92mm | | | |
| FT-DLT05-50W | 50W | 165*165mm | 185*185*92mm | | | |



Dongguan Fitlight Lighting Co.,Ltd.

Add: 10th floor, building C1, Songhu Zhigu building, No. 9, Yanhe South Road, Liaobu Town, Dongguan City, Guangdong Province, China.

Email : liu@fitlight-tech.com URL: www.fitlight-tech.com / <https://fitlight.en.alibaba.com>

High Luminous Efficiency 150-160LM/W Same power, higher brightness



Three high-lighted variants in the same space
which provide greater brightness compared to five regular



5PCS regular style

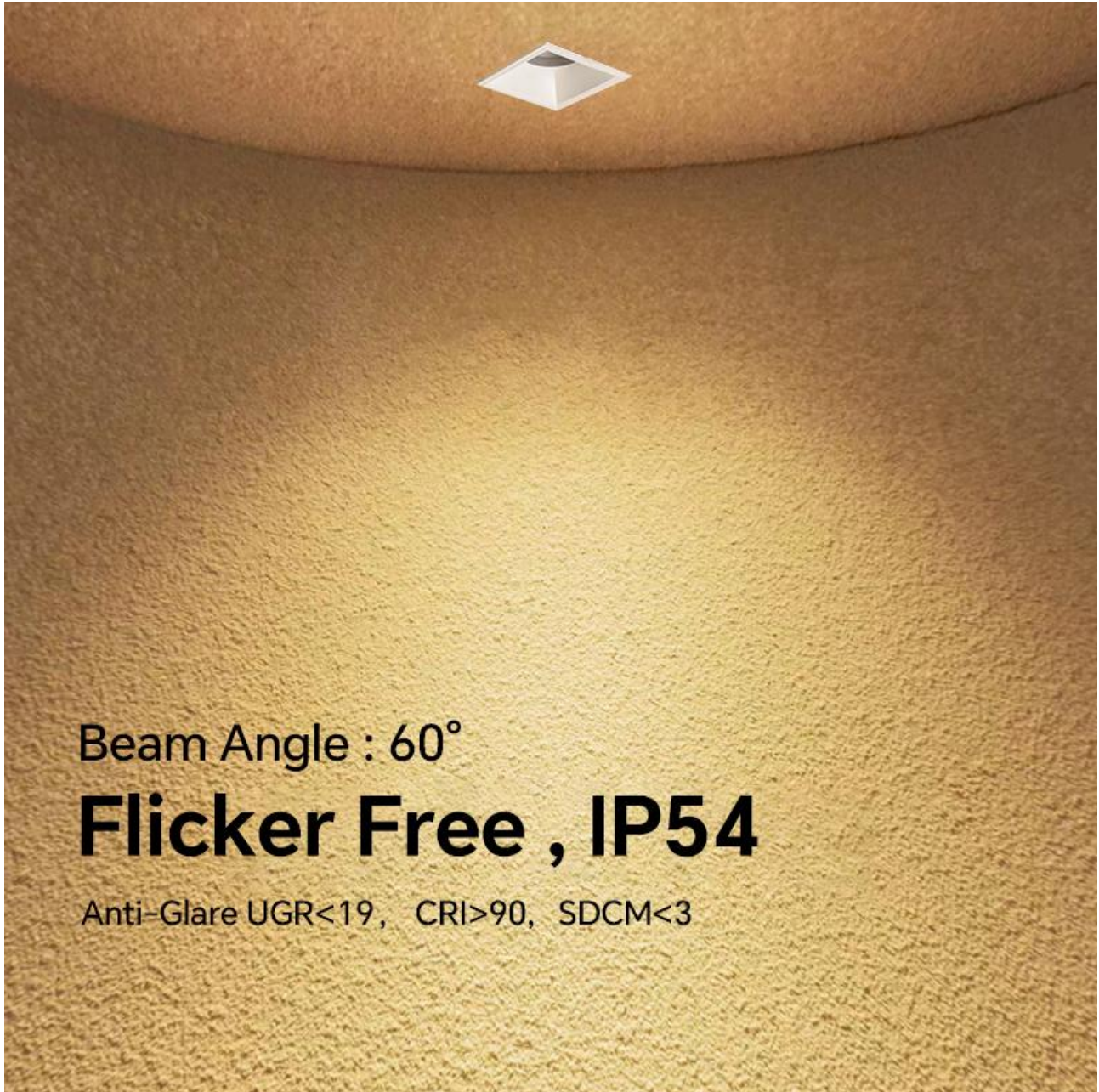


3pcs high-efficiency models

Dongguan Fitlight Lighting Co.,Ltd.

Add: 10th floor, building C1, Songhu Zhigu building, No. 9, Yanhe South Road, Liaobu Town, Dongguan City, Guangdong Province, China.

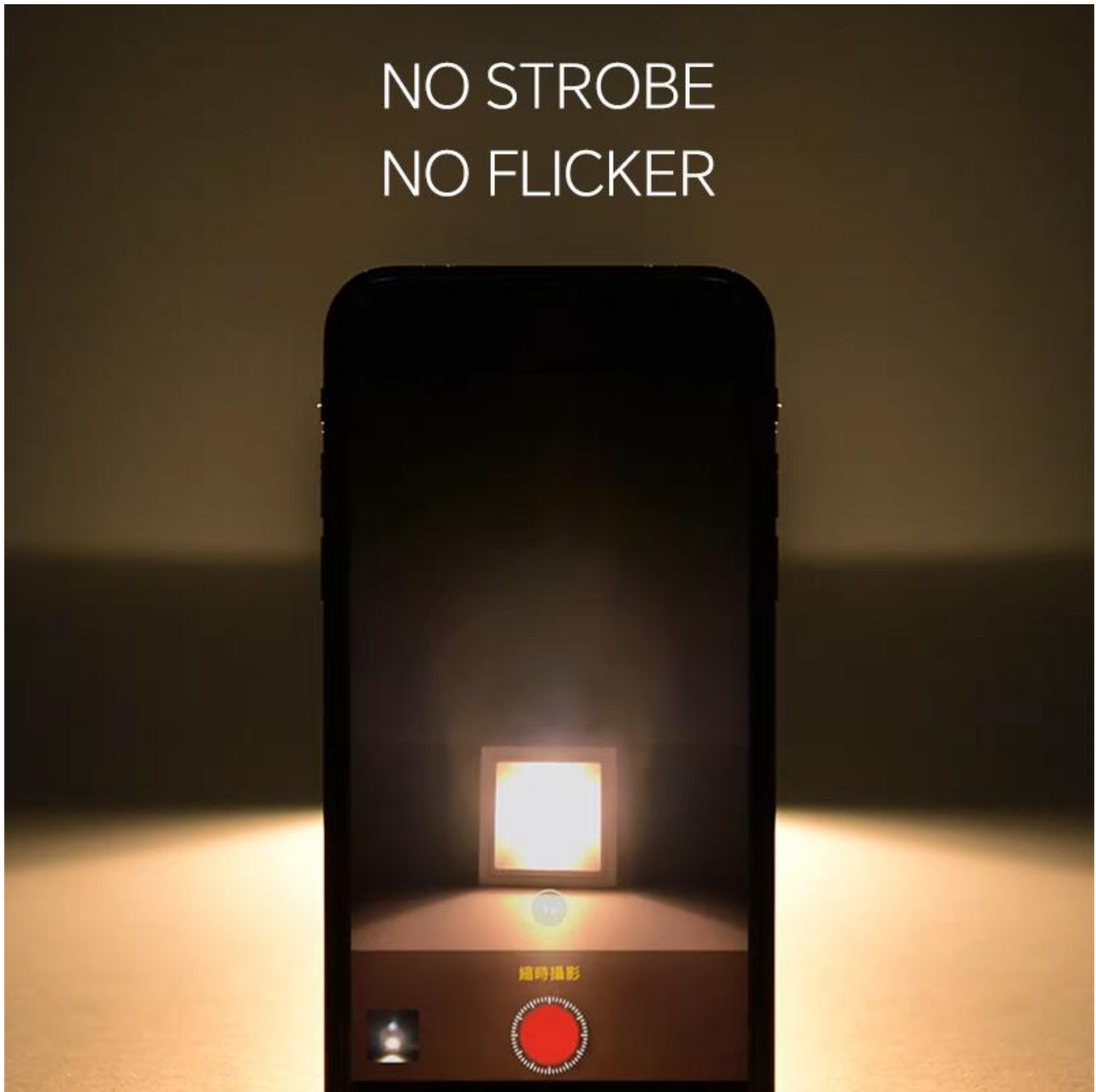
Email : liu@fitlight-tech.com URL: www.fitlight-tech.com / <https://fitlight.en.alibaba.com>



Dongguan Fitlight Lighting Co.,Ltd.

Add: 10th floor, building C1, Songhu Zhigu building, No. 9, Yanhe South Road, Liaobu Town, Dongguan City, Guangdong Province, China.

Email : liu@fitlight-tech.com URL: www.fitlight-tech.com / <https://fitlight.en.alibaba.com>



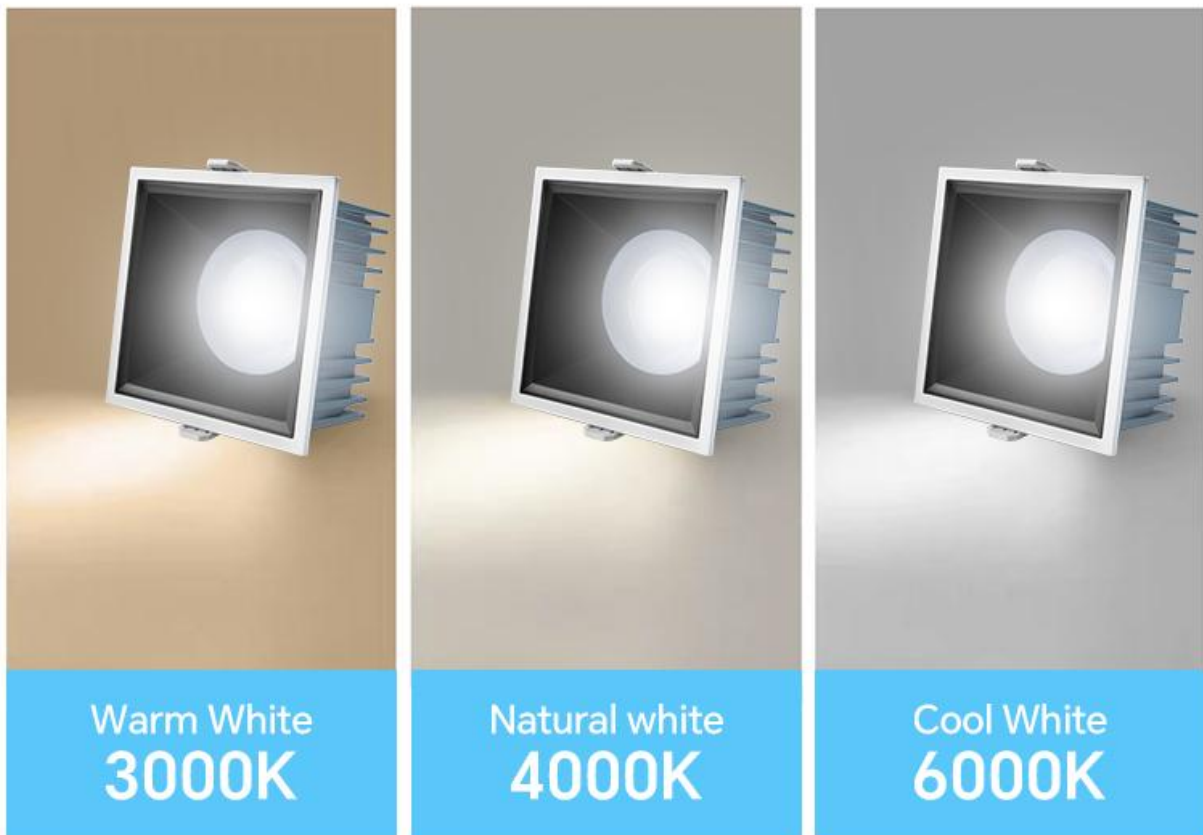
Dongguan Fitlight Lighting Co.,Ltd.

Add: 10th floor, building C1, Songhu Zhigu building, No. 9, Yanhe South Road, Liaobu Town, Dongguan City, Guangdong Province, China.

Email : liu@fitlight-tech.com URL: www.fitlight-tech.com / <https://fitlight.en.alibaba.com>

Three color temperature options Meet various lighting needs

White light has high lumen and color rendering,
Iwarm light creates a cozy home atmosphere.

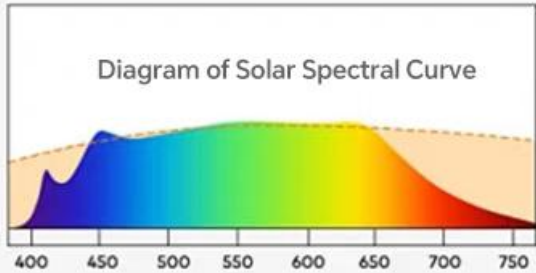


Dongguan Fitlight Lighting Co.,Ltd.

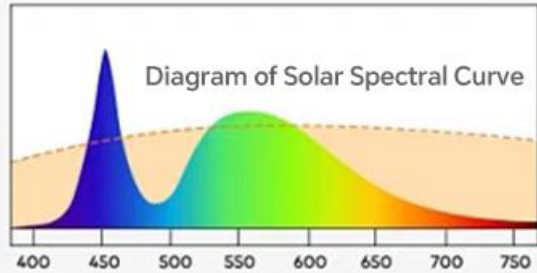
Add: 10th floor, building C1, Songhu Zhigu building, No. 9, Yanhe South Road, Liaobu Town, Dongguan City, Guangdong Province, China.

Email : liu@fitlight-tech.com URL: www.fitlight-tech.com / <https://fitlight.en.alibaba.com>

The higher the CRI, the better it can express the true color of the object



Our company's LED chips



Ordinary LED chip



Ra \geq 90

Super high color reproduction ability
Really restore natural colors



Ra \leq 80

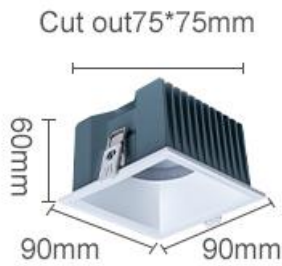
Color rendering index is low
Dull colors and blurry details

Dongguan Fitlight Lighting Co.,Ltd.

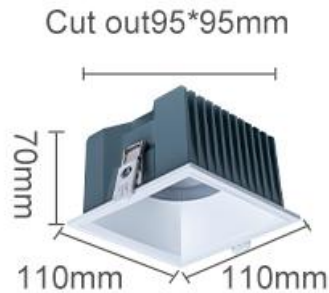
Add: 10th floor, building C1, Songhu Zhigu building, No. 9, Yanhe South Road, Liaobu Town, Dongguan City, Guangdong Province, China.

Email : liu@fitlight-tech.com URL: www.fitlight-tech.com / <https://fitlight.en.alibaba.com>

Product Size



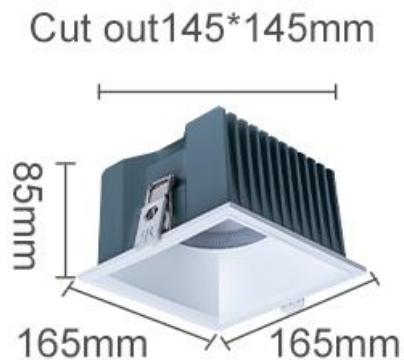
10W/15W



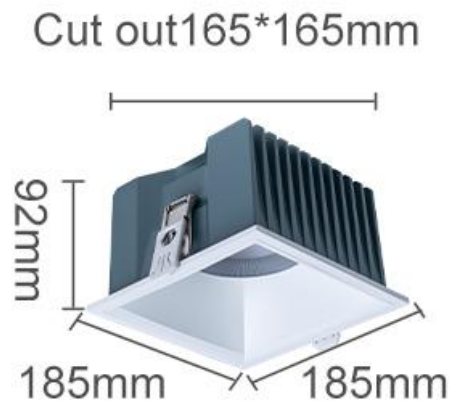
20W



25W/30W



35W/40W



45W/50W

Dongguan Fitlight Lighting Co.,Ltd.

Add: 10th floor, building C1, Songhu Zhigu building, No. 9, Yanhe South Road, Liaobu Town, Dongguan City, Guangdong Province, China.

Email : liu@fitlight-tech.com URL: www.fitlight-tech.com / <https://fitlight.en.alibaba.com>

DIMMABLE

Single color dimmable



TRIAC



0-10V

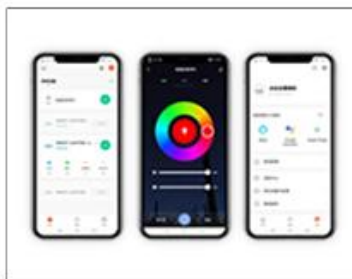


DALI

2700-6000K tunable



2.4G



TUYA
(Bluetooth WiFi ZIGBEE)



DALI DT8

LED Down light Model at Ta=25°

| Parameter | Symbol | Min | Type | Max | Unit |
|-------------------------------|-----------------|-----|--------|-----|-------|
| Input Voltage (AC) | V _{AC} | 165 | 230 | 265 | V |
| Estimated Life ^[*] | | — | 50,000 | — | hours |
| Optimized Body Temperature | T | — | 55 | 60 | °C |

Note[*] – Manufacturer projects Down Light made with COB LED to maintain an average of 70% lumens maintenance after 30,000 hours. This estimation is made based on data from LED manufacturer

Dongguan Fitlight Lighting Co.,Ltd.

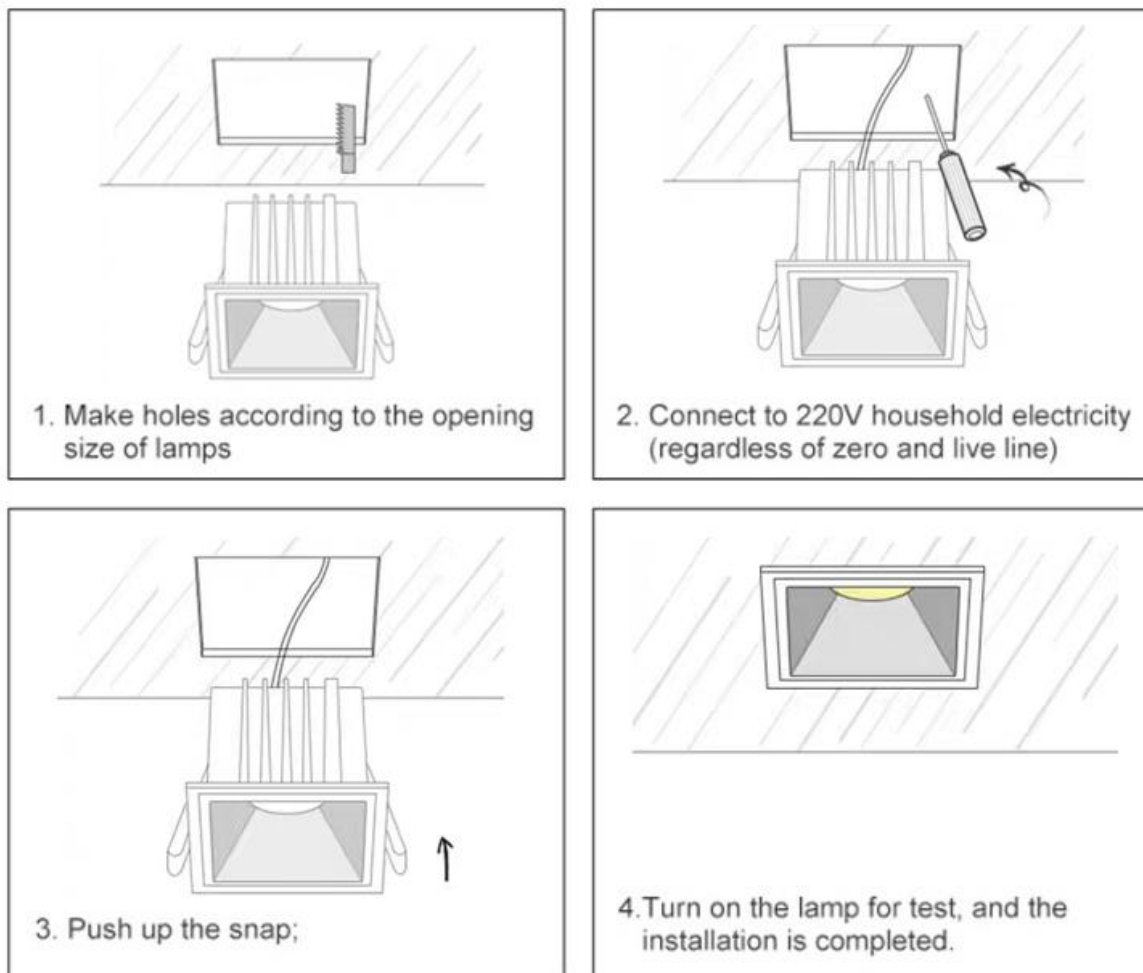
Add: 10th floor, building C1, Songhu Zhigu building, No. 9, Yanhe South Road, Liaobu Town, Dongguan City, Guangdong Province, China.

Email : liu@fitlight-tech.com URL: www.fitlight-tech.com / <https://fitlight.en.alibaba.com>

Installation of Light with springs:

The installation method can be installed according to the installation diagram of the luminaire. The installation position of the luminaire is selected by the embedded installation, and the hanging parts, cables, installation tools, etc. required for installation are prepared. The luminaires are led out according to relevant specifications, and the luminaires are hanged by hanging parts, etc. The back cover is pre-selected and properly hung or embedded to the pre-selected position.

Installation instructions



The front-end power supply must be cut off during installation. The power supply must be cut off when repairing or replacing parts.

Dongguan Fitlight Lighting Co.,Ltd.

Add: 10th floor, building C1, Songhu Zhigu building, No. 9, Yanhe South Road, Liaobu Town, Dongguan City, Guangdong Province, China.

Email : liu@fitlight-tech.com URL: www.fitlight-tech.com / <https://fitlight.en.alibaba.com>

INSTALL APPLICATION



Dongguan Fitlight Lighting Co.,Ltd.

Add: 10th floor, building C1, Songhu Zhigu building, No. 9, Yanhe South Road, Liaobu Town, Dongguan City, Guangdong Province, China.

Email : liu@fitlight-tech.com URL: www.fitlight-tech.com / <https://fitlight.en.alibaba.com>

Standard Export packaging



Caution:

- WARNING-Risk of fire or electric shock. LED Down light installation requires knowledge of luminaire electrical systems.
- If not qualified, do not attempt installation. Contact a qualified electrician.
- WARNING-To prevent wiring damage or abrasion, do not expose wiring to edges of sheet ; metal or other sharp objects.

Hygiene & Safety

- Provide the illumination required in the work area for moving parts.
- We advise to use the soft cloth to clean up and do not attempt to use any chemical agent.
- In order to avoid any damages from the surface.
- Minimize the accumulation of dirt on the lamps and spotlights;
- For your safety, please cut off the power supply before changing or cleaning the lamp source.
- Facilitate maintenance.

Dongguan Fitlight Lighting Co.,Ltd.

Add: 10th floor, building C1, Songhu Zhigu building, No. 9, Yanhe South Road, Liaobu Town, Dongguan City, Guangdong Province, China.

Email : liu@fitlight-tech.com URL: www.fitlight-tech.com / <https://fitlight.en.alibaba.com>