



MINI A3 MULTI-FUNCTION UV PRINTER

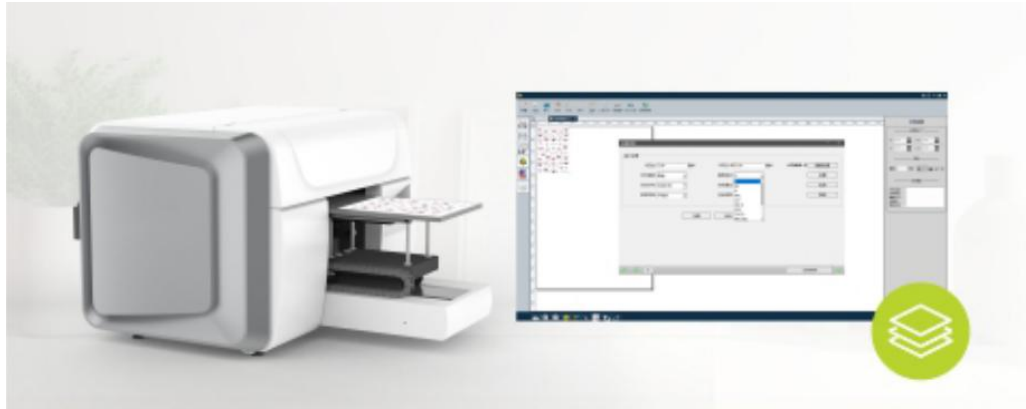


WIT-COLOR A3 MULTI-FUNCTION PRINTING SOLUTION



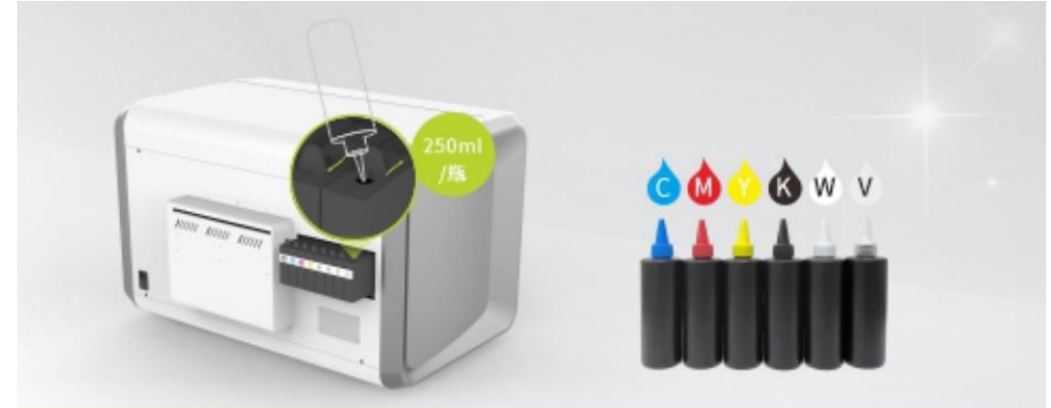
- ★ EPSON i3200 A1-H2
- ★ CMYK+W+V
- ★ SOHO SOLUTION
- ★ A3 MULTI-FUNCTION
- ★ SOLUTION FOR CUSTOMIZATION

WIT-COLOR A3 UV PRINTER FEATURES



★ Variable effects easy to be realized

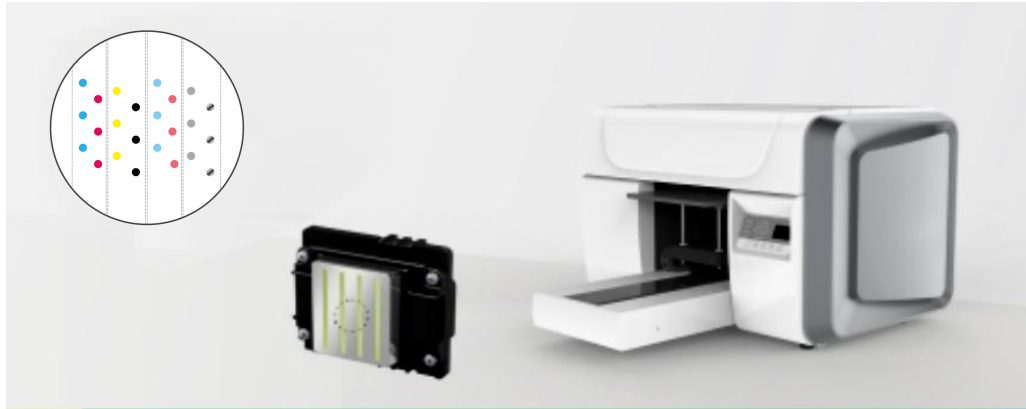
Multi-color combinations such as Full Color, Color+White, Color+White+Varnish, Color+White+Color, White+Color+Varnish, and etc. One time printing for final effects.



★ Intelligent and Convenient Ink Recharge

Intelligent ink recharging system prevents ink leaking and mistaking. Ink recirculating and alarming functions make printer free from ink sediment and more user friendly.

WIT-COLOR A3 UV PRINTER FEATURES



★ High Resolution-Flexible Color Combination

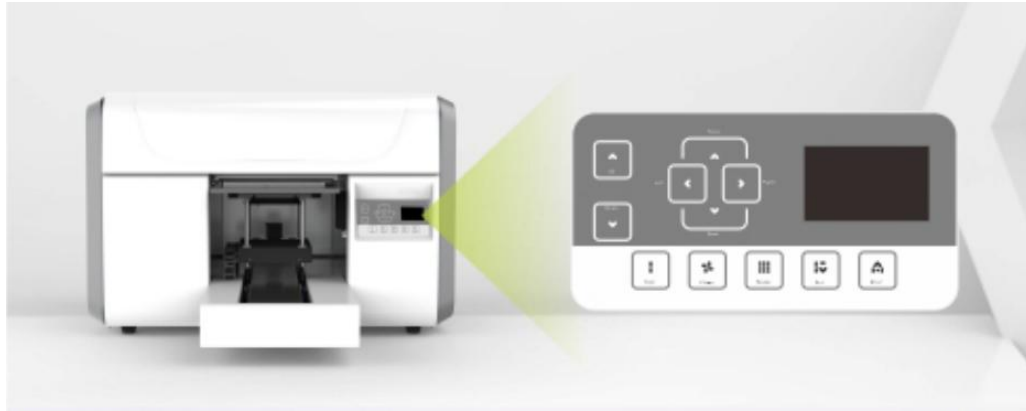
1200 dpi reached top level in this industry, High photo-realistic quality. 8 ink channels make color combination more flexible.



★ Light Design Easy for Operation

Mini structure saves more space. Suitable for more applications, such as SOHO, office, advertising workshop, scenic spot, shopping centers, etc.

WIT-COLOR A3 UV PRINTER FEATURES



★ User Friendly Convenient for Maintenance and Operation

Testing printing, maintenance and other tasks are easy to be completed by following the control panel tips. Stand-by auto-maintenance and daily maintenance will be free from worry.



★ Multi-function, one printer for all solutions

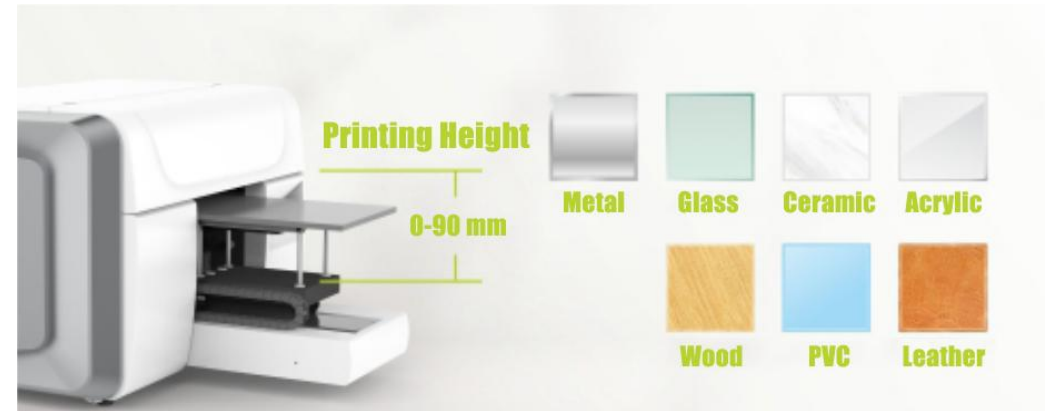
Multi-function design, one printer meets three types materials printing needs, plane surface, cylindrical & cone shape, roll to roll materials.

WIT-COLOR A3 UV PRINTER FEATURES



★ **Liftable printhead maintenance station design, safe and stable**

Auto-liftable printhead maintenance station with high precision carriage locating control, which could printheads much better.



★ **High Cost to Performance Ratio
Wide Applications**

Printing height 0-90mm, no limitation to materials, directly print on substrates, applied in wide fields.

WIT-COLOR A3 UV PRINTER FEATURES



High Resolution Photo-realistic Printing

Portrait photos printing was precisely controlled in color management software, no color limits, highly presented photo-realistic images with brilliant color performance.

WIT-COLOR A3 UV PRINTER FEATURES



Perfect 3D Printing

White+Color+Varnish 3D embossed printing, meets personalized demands with high value added.

WIT-COLOR A3 UV PRINTER FEATURES



Crystal Label Printing

Directly print on crystal effect label film, and the printed labels could be applied at will without limitation about materials and shapes.

WIT-COLOR A3 UV PRINTER FEATURES



High Quality Inkjet adhesive stickers

Roll to roll printing mode could print all labels for toys and daily necessities using.

WIT-COLOR A3 UV PRINTER FEATURES



Curved Surface Printing

Optional for cylindrical object printing system which supported 360 degree curved surface printing, such as vacuum cups, tea canisters, pen holders, and other cylindrical objects.

WIT-COLOR A3 UV PRINTER FEATURES

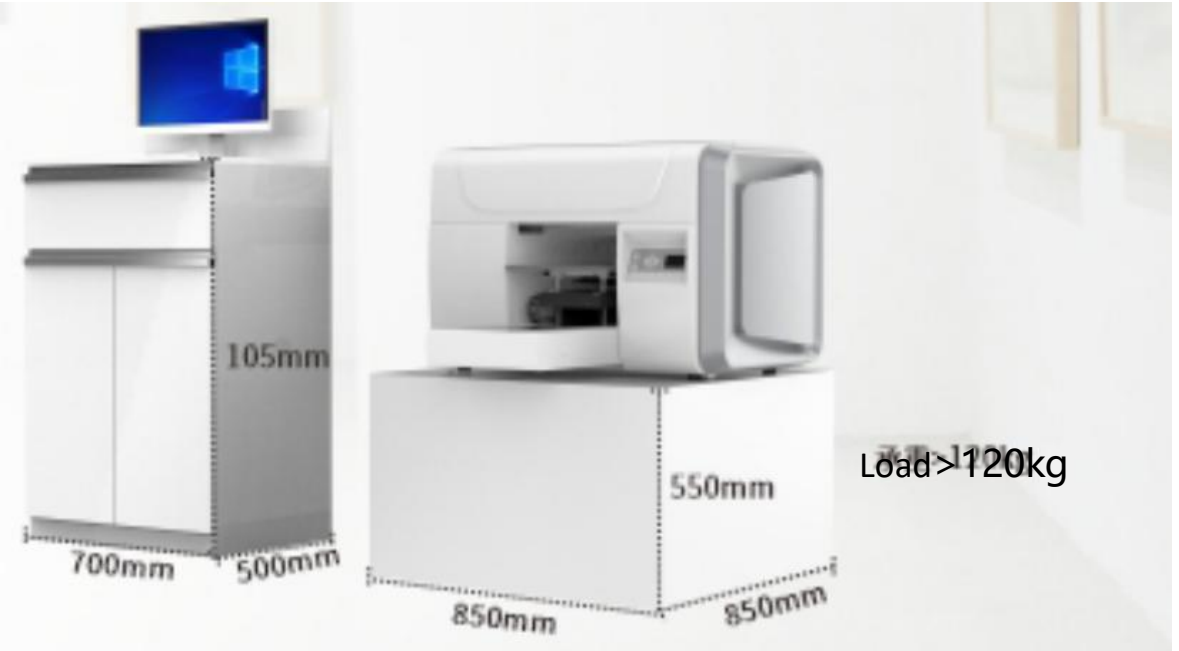
| | |
|---------------------------------|--|
| Printer Model | Ultra i3200 A3-UV |
| Printhead | EPSON i3200-U1HD |
| PH Dot Jetting Distance | 2-3 mm |
| PH Nozzle Quantity | 3200 pcs |
| Nozzle Distance | 1/300 inch |
| Nozzle Rows | 8 |
| Max. Ink Color | 8 |
| PH Physical Resolution | 300npi/1 row, 600npi/2 rows |
| Printing Width | 33.8mm |
| Drop Volume & Fire Frequency | 2 Level G.S. 5pl (43.2 k Hz) |
| | 3 Level G.S. 6-12.5pl(21.6 k Hz) |
| | 4 Level G.S. 3.8-6.2-9.3pl (21.6 k Hz) |
| Printing Size | 297x420 mm |
| Printing Height | 0-90mm |
| Printing Type | White / Color / Varnish |

| | |
|------------------------|--|
| Printing Mode | CMYK+W+V/CMYK LcLmLkLlK /CMYK |
| Resolution | 960x1200dpi/960x960dpi |
| Printer Size(LXWXH) | 1000X902X592 mm |
| Packing Size(LXWXH) | 1.11x1.01x0.76m |
| N.W. / G.W | 78 KG/11KG |
| Printing Software | Photoprint RIP |
| A3 Size Printing Speed | 8pass 9-34min/ pc 6pass 7-33min/ pc |
| Image Format | Tiff, JPG, EPS, PDF |
| Data Transfer | Internet Cable |
| Power Voltage | AC 220/ 110V, 50-60HZ |
| Power Consumption | 140W |
| Environment | Tem. 20-28°C Hum. 35-65% |
| Ink Type | UV Curing Ink (E.F.) |
| Printer Type | Digital Inkjet Printer |

WIT-COLOR A3 UV PRINTER FEATURES

PC Configuration Requirements:

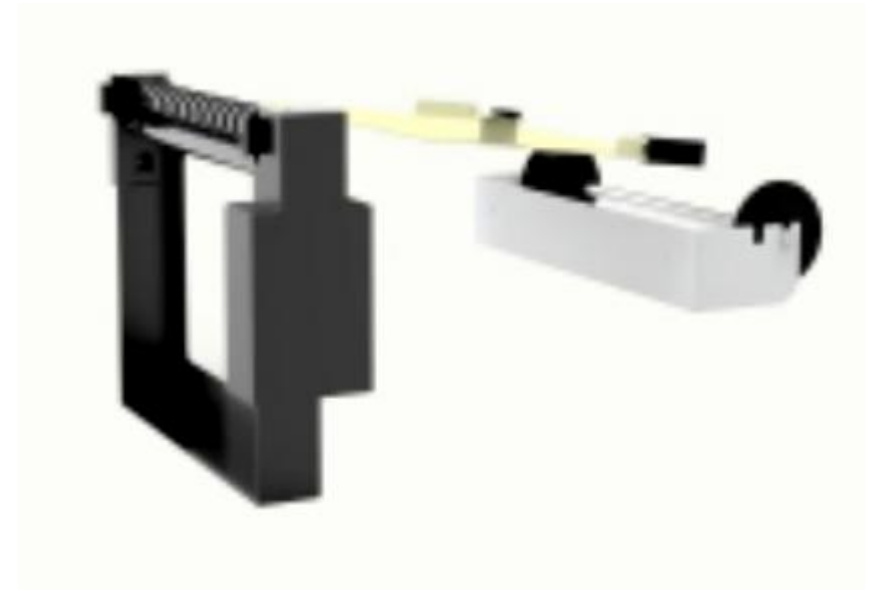
| | |
|------------------|--|
| Operation System | Window 10/11 (64 bits) |
| CPU Processor | i5, i7 or above recommended |
| RAM | 16 G or above |
| Display | Resolution 1024x1280 or above |
| H.D. | 128G or above |
| Graphics Card | Main Board Integrated or Independent G.C. (4G Memory or above) |



* Please prepare the desk by yourself accordingly.

WIT-COLOR A3 UV PRINTER FEATURES

| | | |
|--------------------------------------|---|---------------------------------|
| Accessory for Roll to Roll Materials | | |
| Media Thickness | | 0.2-0.5 mm |
| Media Length | | 50 m/Roll |
| Roll Media Size | Weight | Less than 10kg |
| | Width | 30-250 mm |
| | Diameter | Less than 150mm (75mm shaft) |
| Printing Speed | High Resolution 8 PASS | 9-34min/pc |
| | Standard 6 PASS | 7-33min/pc |
| Packing g Size | 415x350x105 mm GW:4.5 KG | |
| Suitable Materials | Adhesive stickers, silver/ gold stickers, paper board, PP stickers, PET Film, PVC film and etc. | |



WIT-COLOR A3 UV PRINTER FEATURES

| Accessory for Cylindrical Objects | | |
|-----------------------------------|--|-------------|
| Diameter | 25-80 mm | |
| Object Length | 20-210 mm | |
| Round Bottle Mode | White+Color (No Varnish in this mode) | |
| Printing Speed | 1/4 mode | 5-7 min/pc |
| | 1/6 mode | 7-10 min/pc |
| | 1/8 mode | 8-11 min/pc |
| Packing g Size | 345x323x80 mm GW:2.6KG | |
| Suitable Materials | Painted Cups, Mugs, Steel, PVC, Glass, Ceramic, Wood, Acrylic and etc. | |

