

HBJD-70 Signal Tower Lights HBJD-90 Signal Tower Lights


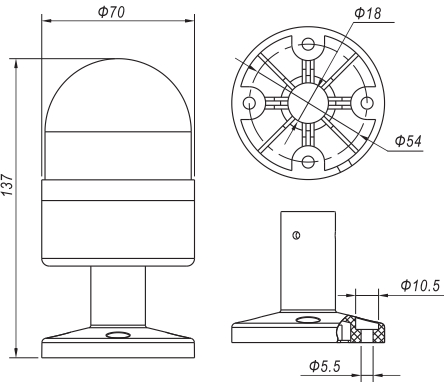

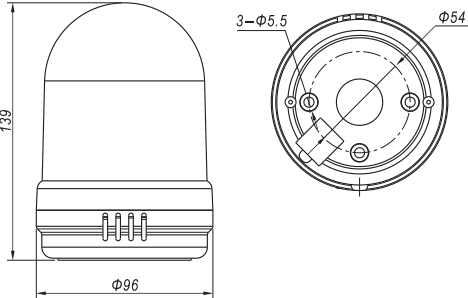
Features

- ⊙ Operating Temperature: -25°C~+55°C
- ⊙ Air Humidity: ≤98%
- ⊙ Altitude: 2000m
- ⊙ Vibration Resistance: 50Hz amplitude about 1.2mm
- ⊙ LED Life: 40000hours LED(Steady Light)
25000hours(Flashing Light)
- ⊙ Buzzer Volume: 80~90dB, at 1m
- ⊙ Pollution Degree: 3

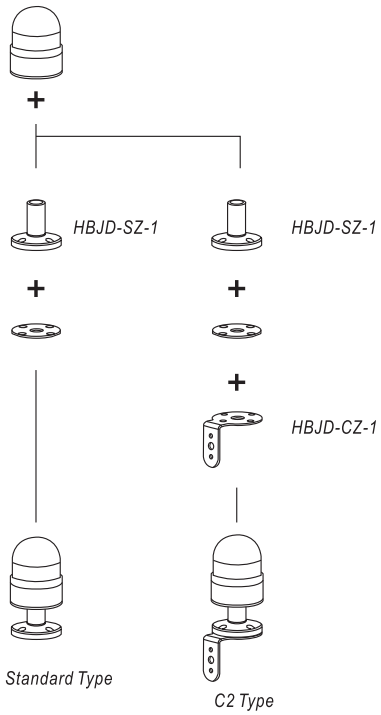
Part Number Description

HBJD	-	★	□	■	/	△	/	▲	/	●	
Size 70: ø70mm 90: ø90mm		Light D: Steady Light S: Flashing Light		Buzzer No letter means no buzzer W: Intermittent Sound Z: Continuous Sound		Color R G Y Other color can be customized		Voltage AC/DC 24V AC 110V (Customized) AC 220V (Customized)		Mounting Style No letter means standard type L: Base Mounting C1: Side Mounting C2: Side Mounting with Base	

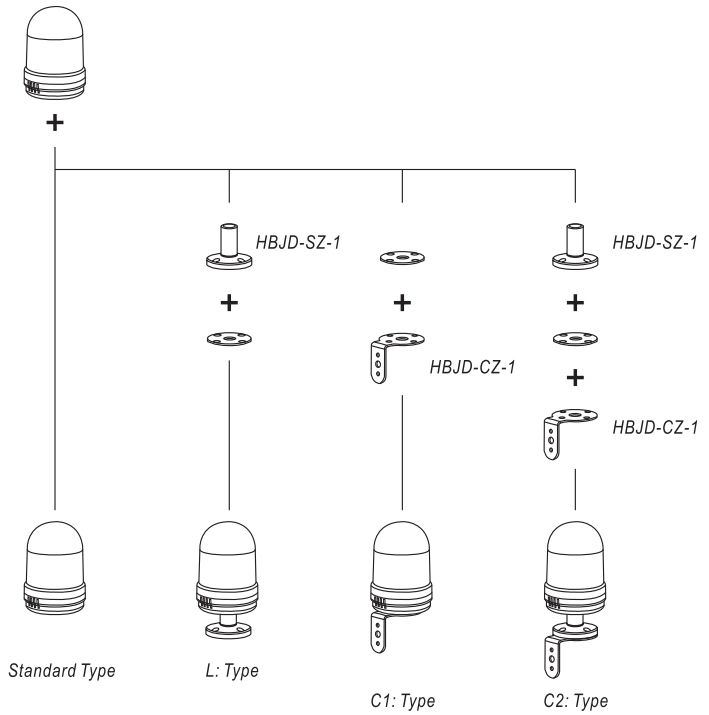
Models

Models	Working Status	Part Number	Dimensions
 <p>Color Options: R G Y</p>	Steady Light	HBJD-70D/△/▲	
	Flashing Light	HBJD-70S/△/▲	
	Steady Light and Continuous Sound	HBJD-70DZ/△/▲	
	Steady Light and Intermittent Sound	HBJD-70DW/△/▲	
	Flashing Light and Intermittent Sound	HBJD-70SW/△/▲	
 <p>Color Options: R G Y</p>	Steady Light	HBJD-90D/△/▲/●	
	Flashing Light	HBJD-90S/△/▲/●	
	Steady Light and Continuous Sound	HBJD-90DZ/△/▲/●	
	Steady Light and Intermittent Sound	HBJD-90DW/△/▲/●	
	Flashing Light and Intermittent Sound	HBJD-90SW/△/▲/●	

HBJD-70 Installation Diagram



HBJD-90 Installation Diagram



Accessories	<p>Base HBJD-SZ-1</p>	<p>Side Mounting HBJD-CZ-1</p>
Dimensions		

Wiring Diagram

P/N	HBJD-70	HBJD-90
Wiring Diagram	<p>Note: Light and buzzer are controlled synchronously.</p>	<p>Note: Blue Wire for LED; Yellow Wire for buzzer; Brown: Common Wire.</p>