

HBJD-55, HBJD-55A Series Signal Tower Lights

HBJD-55 Part Number Description

HBJD-55/□■/△/▲/●/※

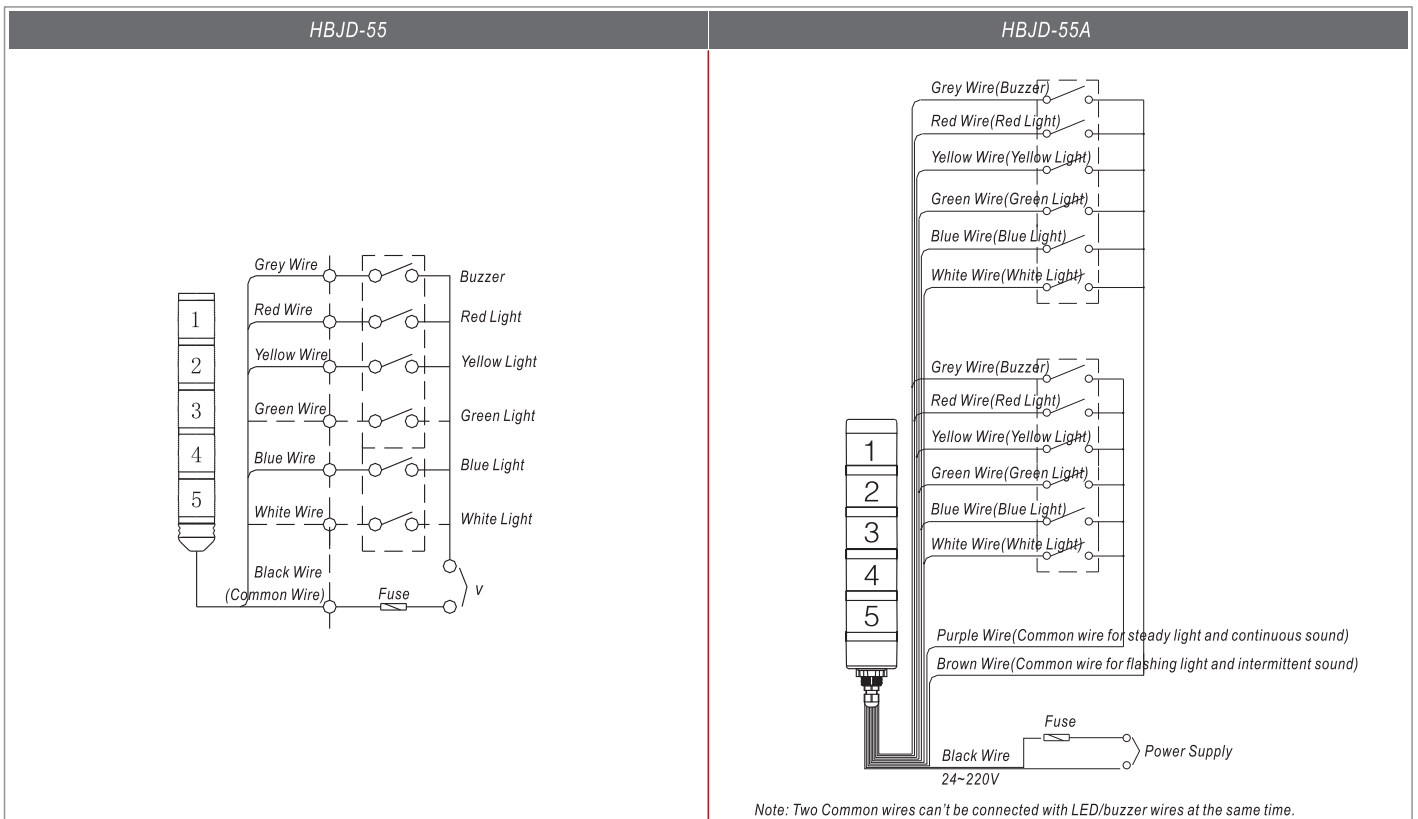
Symbol	Indication	Descriptions
□	Working Status	D: Steady Light / DZA: Steady Light and Continuous Sound / DWA: Steady Light and Intermittent Sound
■	Layer	1: Single Layer / 2: Two Layers / 3: Three Layers / 5: Five Layers
△	Color	R: Red / G: Green / Y: Yellow / B: Blue / W: White For multilayers, specify illumination color from top to bottom
▲	Voltage	AC/DC24V / AC220V(Customized)
●	Mounting Style	A: Standard / B: Pole Mounting with Base / C: Side Mounting / D: Pole Mounting with Foldable Base / E: Foldable Base
※	Protecting level	no letter means non waterproof / P: IP65(Standard installation products without buzzing can be customized)

HBJD-55A Part Number Description

HBJD-55A/□■/△/▲/●/※

Symbol	Indication	Descriptions
□	Working Status	D: Steady / Flashing Light / DB: Steady / Flashing Light+Continuous / Intermittent Sound / B: Continuous / Intermittent Sound
■	Layer	1: Single Layer / 2: Two Layers / 3: Three Layers / 5: Five Layers
△	Color	R: Red / G: Green / Y: Yellow / B: Blue / W: White For multilayers, specify illumination color from top to bottom (Single layer multi-color lamp colors can be indicated as RYG: red, yellow, green)
▲	Voltage	24V(Voltage range: 24V~220VAC/DC) / 12VDC(Customized)
●	Mounting Style	A: Standard / B: Pole Mounting with Base / C: Side Mounting / D: Pole Mounting with Foldable Base / E: Foldable Base
※	Protecting level	no letter means non waterproof / P: IP65(Standard installation products without buzzing can be customized)

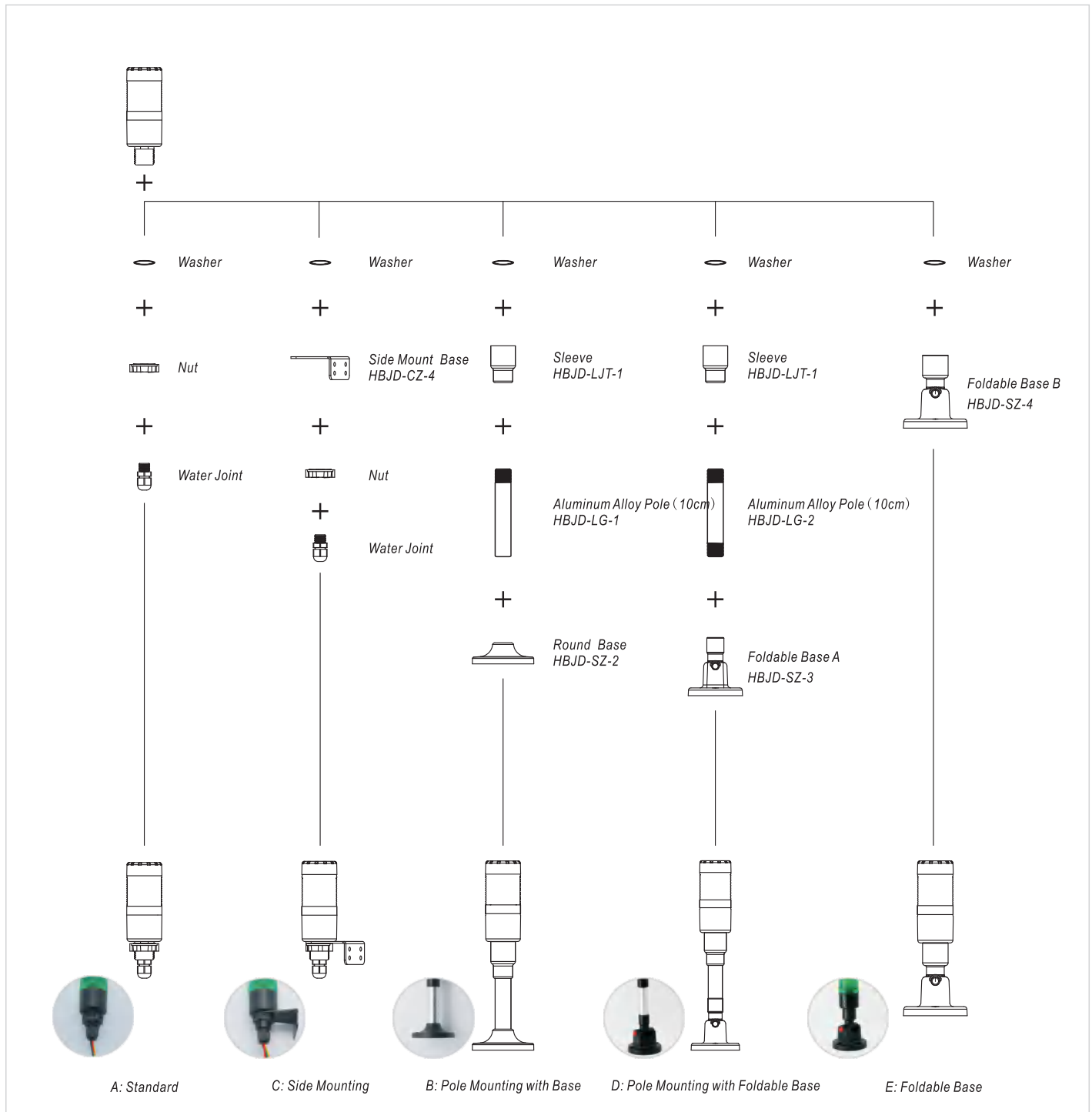
Wiring Diagram



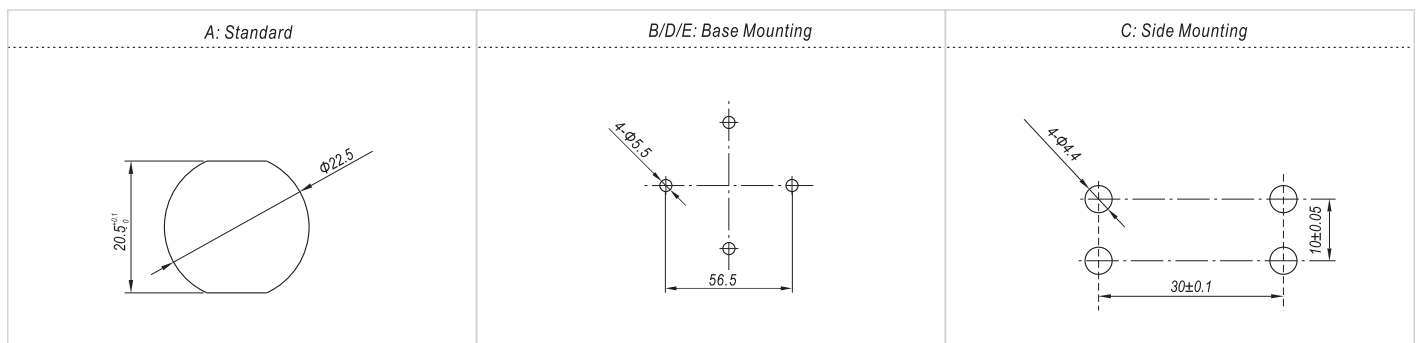
Attention

- Ensure power is turned off before wiring.
- No open fire around this product, operating temperature $\leq 55^{\circ}\text{C}$.
- Wires must be approved by safety usage standard.
- Base and connecting part assembly must be stable.
- Installation and maintain of this product must be operated by professional.

Installation Diagram



Installation Dimensions



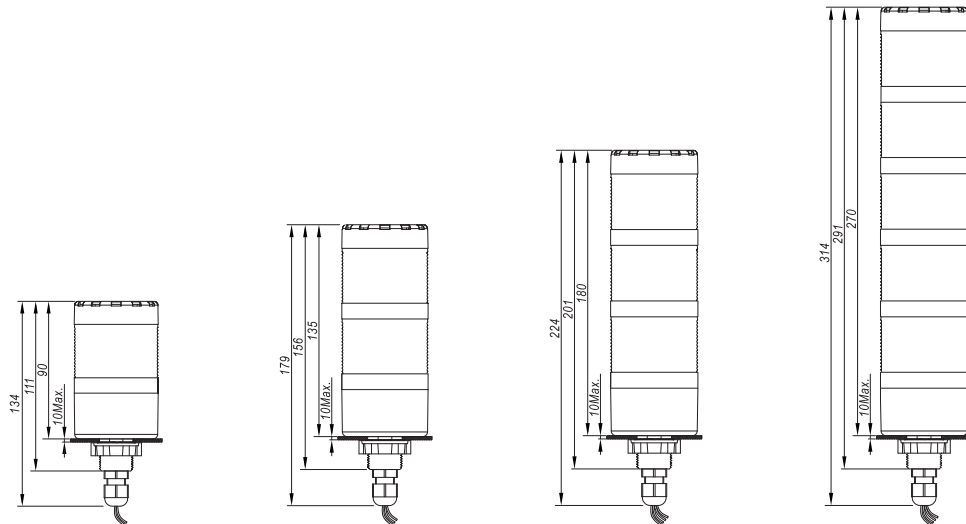
HBJD-55 Series



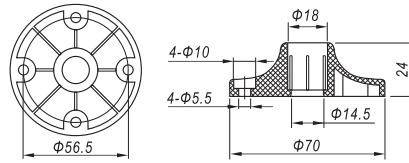
HBJD-55A Series



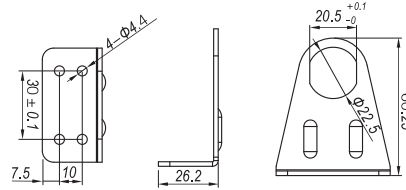
Dimensions



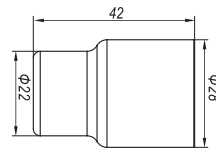
Base
HBJD-SZ-2



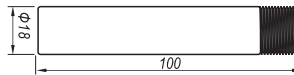
Side Mount Base
HBJD-CZ-4



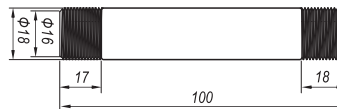
Sleeve
HBJD-LJT-1



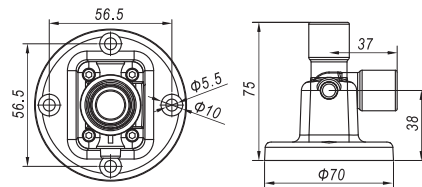
Aluminum Alloy Pole(10cm)
HBJD-LG-1



Aluminum Alloy Pole(10cm)
HBJD-LG-2



Foldable Base A
HBJD-SZ-3



Foldable Base B
HBJD-SZ-4

