

Signal Tower Lights

HBJD Series Signal Tower Lights

Operating Temperature: -25°C~+55°C

Air Humidity: ≤98%

Altitude: 2000m

Vibration Resistance: 50Hz amplitude about 1.2mm

LED Life: 40000hours LED(Steady Light)

25000hours(Flashing Light)

Buzzer Volume: 80~90dB, at 1m

Pollution Degree: 3



HBJD-40, HBJD-40A Series Signal Tower Lights

HBJD-40 Part Number Description

HBJD-40/□■/△/▲/●/※

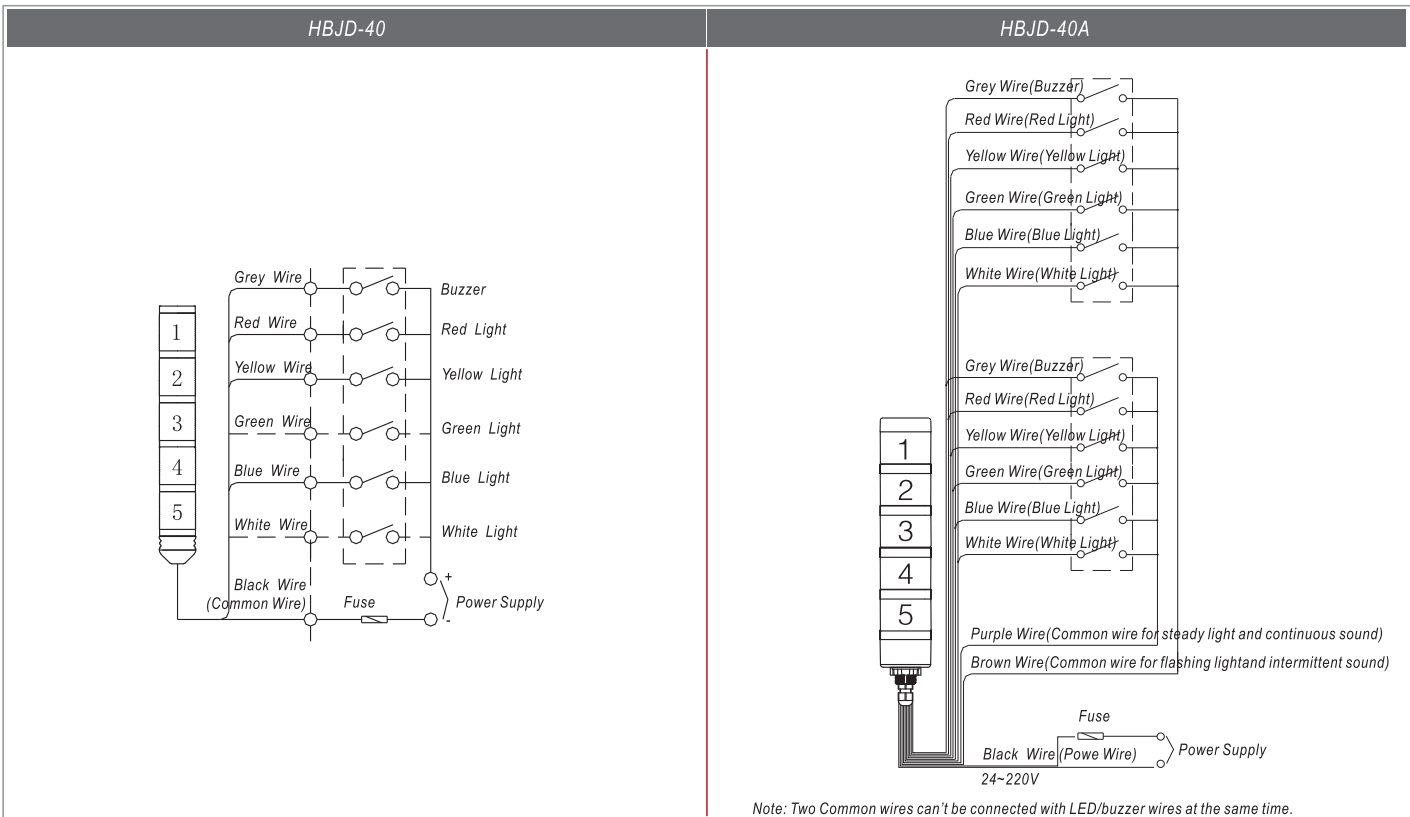
Symbol	Indication	Descriptions
□	Working Status	D: Steady Light / DZA: Steady Light and Continuous Sound / DWA: Steady Light and Intermittent Sound
■	Layer	1: Single Layer / 2: Two Layers / 3: Three Layers / 5: Five Layers
△	Color	R: Red / G: Green / Y: Yellow / B: Blue / W: White For multilayers, specify illumination color from top to bottom
▲	Voltage	AC/DC24V / AC220V(Customized)
●	Mounting Style	A: Standard / B: Pole Mounting with Base / C: Side Mounting / D: Pole Mounting with Foldable Base / E: Foldable Base
※	Protecting level	no letter means non waterproof / P: IP65(Standard installation products without buzzing can be customized)

HBJD-40A Part Number Description

HBJD-40A/□■/△/▲/●/※

Symbol	Indication	Descriptions
□	Working Status	D: Steady / Flashing Light / DB: Steady / Flashing Light+Continuous / Intermittent Sound / B: Continuous / Intermittent Sound
■	Layer	1: Single Layer / 2: Two Layers / 3: Three Layers / 5: Five Layers
△	Color	R: Red / G: Green / Y: Yellow / B: Blue / W: White For multilayers, specify illumination color from top to bottom
▲	Voltage	24V(Voltage range: 24V~220VAC/DC) / 12VDC(Customized)
●	Mounting Style	A: Standard / B: Pole Mounting with Base / C: Side Mounting / D: Pole Mounting with Foldable Base / E: Foldable Base
※	Protecting level	no letter means non waterproof / P: IP65(Standard installation products without buzzing can be customized)

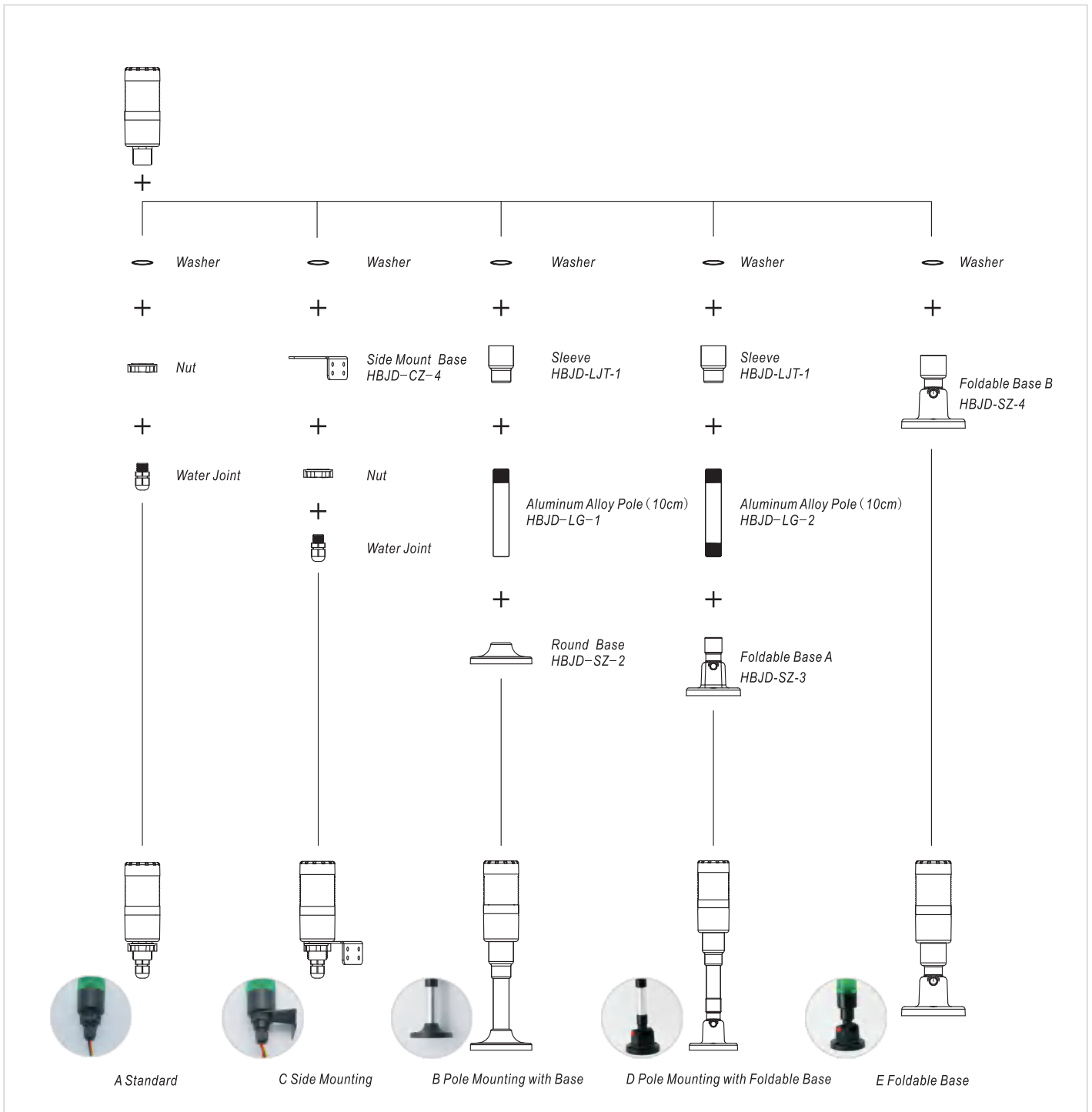
Wiring Diagram



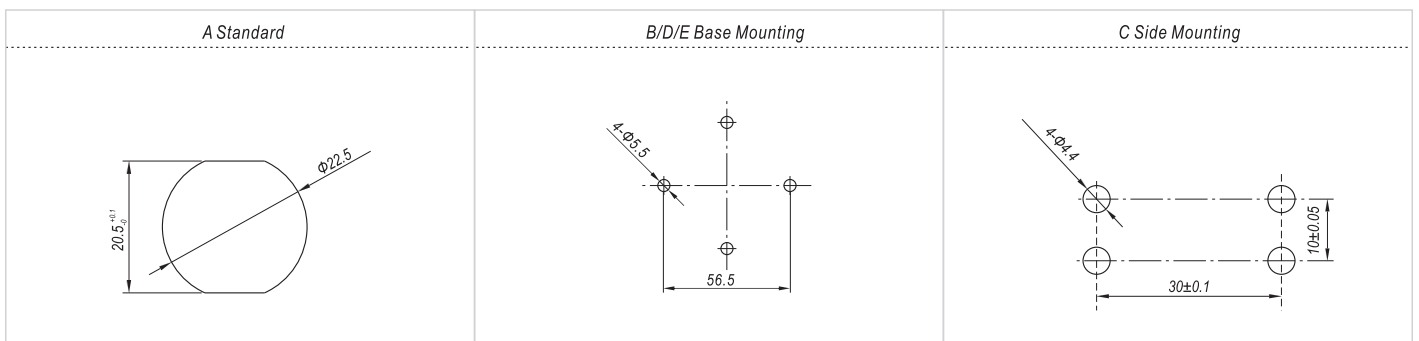
Attention

- Ensure power is turned off before wiring.
- No open fire around this product, operating temperature $\leq 55^{\circ}\text{C}$.
- Wires must be approved by safety usage standard.
- Base and connecting part assembly must be stable.
- Installation and maintain of this product must be operated by professional.

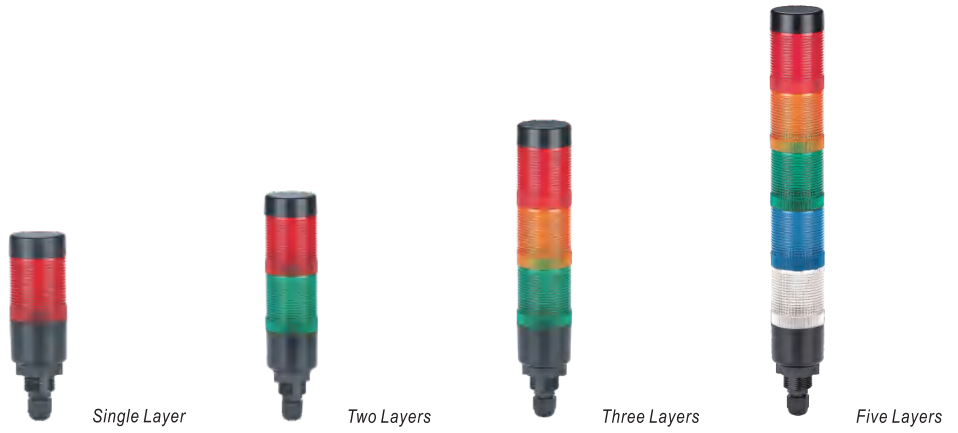
Installation Diagram



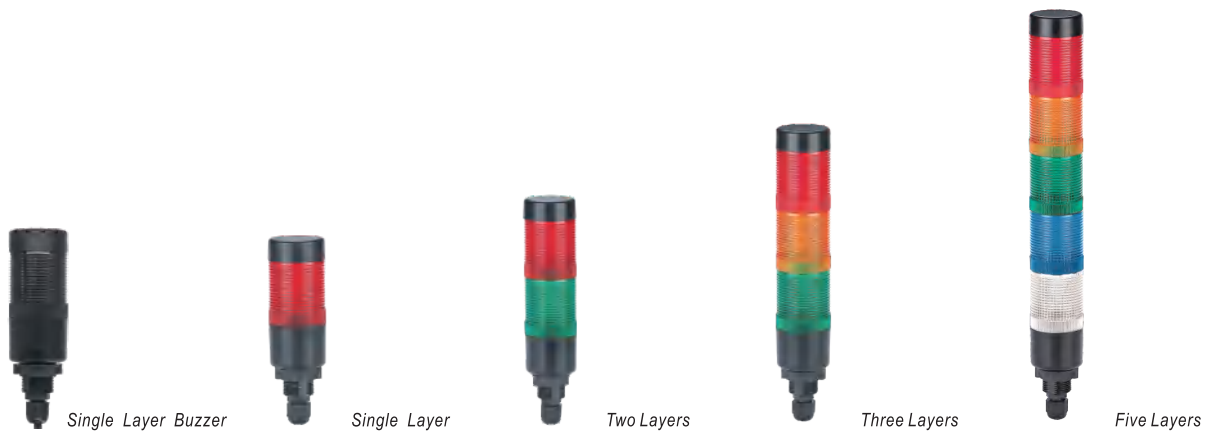
Installation Dimensions



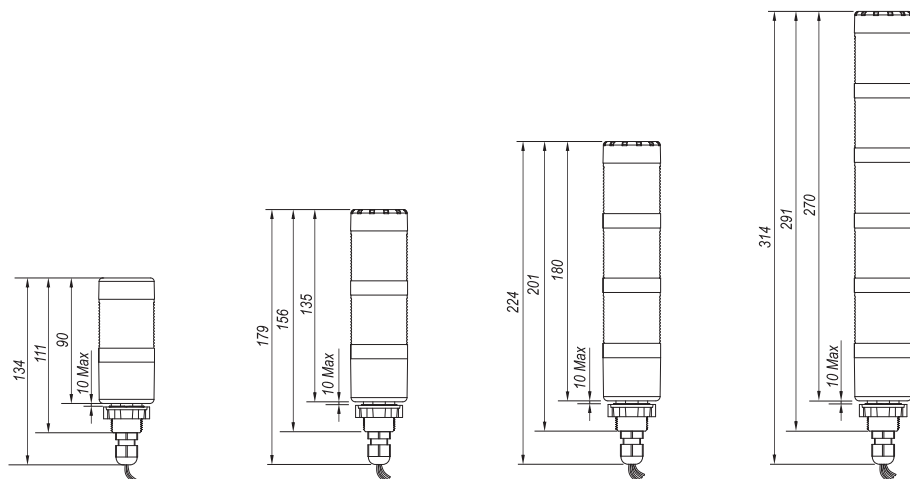
HBJD-40 Series



HBJD-40A Series

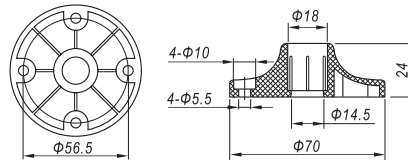


Dimensions

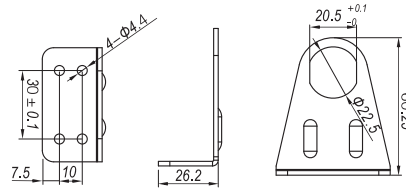


HBJD-40, HBJD-40A Series Signal Tower Lights

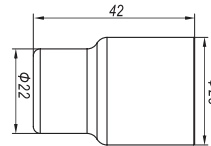
Base
HBJD-SZ-2



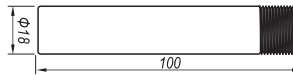
Side Mount Base
HBJD-CZ-4



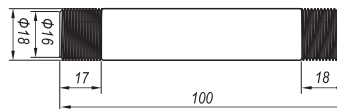
Sleeve
HBJD-LJT-1



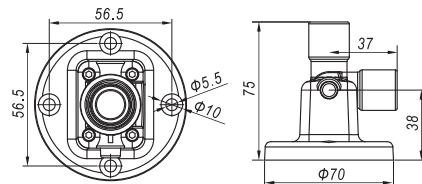
Aluminum Alloy Pole (10cm)
HBJD-LG-1



Aluminum Alloy Pole (10cm)
HBJD-LG-2



Foldable Base A
HBJD-SZ-3



Foldable Base B
HBJD-SZ-4

