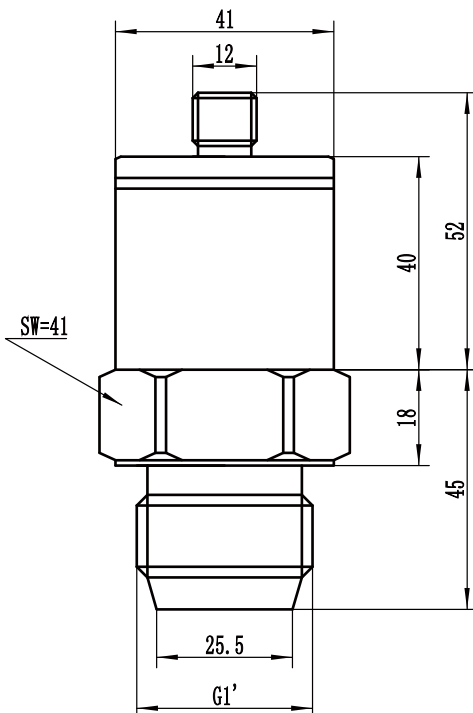


#### Dimensional drawing (mm)



#### Product application

- Durable stainless steel case for food and beverage industry
- Sanitary flush design
- Resist high pressure cleaning with strong cleaning agent
- High temperature resistance, high protection grade

#### Technical parameter

- ◇ Process connection: G1 external thread
- ◇ Working voltage: DC18... 30V
- ◇ Output signal: 4... 20; (Adjustable range) mA
- ◇ Measuring range: -0.1.. 1MPa
- ◇ Compressive strength: 5MPa
- ◇ Blasting pressure: 15MPa
- ◇ Lag deviation:  $< \pm 0,15$ ; (Turn down 1:1) X21
- ◇ Characteristic curve deviation:  $< \pm 0,2$  (nach DIN EN 61298-2); (including: the installation of too tight caused by drift, zero and measuring range error, nonlinear, hysteresis; Turn down 1:1)X21
- ◇ Long-term stability:  $< \pm 0,1$ ; (Turn down 1:1; Per year) X21
- ◇ Linear deviation:  $< \pm 0,15$ ; (Turn down 1:1) X21
- ◇ Temperature coefficient zero:  $< \pm 0,05$ ; (0.. 70 degrees C times 22
- ◇ Temperature coefficient range:  $< \pm 0,15$ ; (0.. 70 degrees C times 22
- ◇ Repetition accuracy:  $< \pm 0,1$ ; (Temperature fluctuation  $< 10K$ ; Turn down 1:1)X21
- ◇ Electrical interface: M12 connector
- ◇ Raw Materials: Stainless Steel (1.4404/316L), PBT
- ◇ Material (wet parts) : Ceramic (99.9%Al2O3); PTFE; Stainless steel (1.4435/316L);
- ◇ Surface characteristic value:  $R_a < 0,4 / R_z4$
- ◇ Shell protection grade: IP67; IP68; IP69K
- ◇ Protection level: III
- ◇ Ambient temperature: -25... 80 ° c.
- ◇ Medium temperature: -25.. 125; (150max.1h) °C

## Selection table

PM270-		A	G1M	detail
PM270				PM270 ceramic capacitive pressure (level) transmitter
	001			Range: -0.1... 0.1 bar
	002			Range: -0.5... 0.5 bar
	003			Range: -1... 0bar
	004			Range: -1... 1bar
	005			Range: -1... 5bar
	006			Range: -1... 10bar
	007			Range: 0... 0.1 bar
	008			Range: 0... 0.5 bar
	009			Range: 0... 1bar
	010			Range: 0... 5bar
	011			Range: 0... 10bar
	012			Range: 0... 20bar
		A		Output signal: 4-20mA
		V05		Output signal: 0-5V
		V15		Output signal: 1-5V
		V010		Output signal: 0-10V
		V110		Output signal: 1-10V
			G1M	G1 external thread cone seal