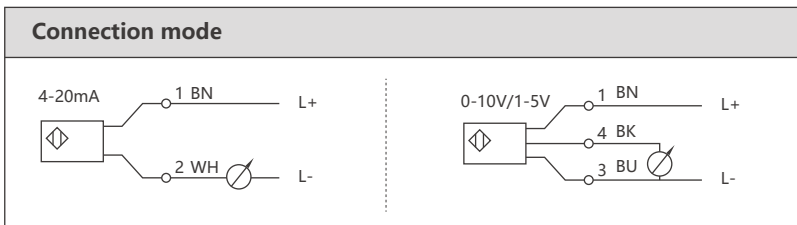




Principle and characteristics

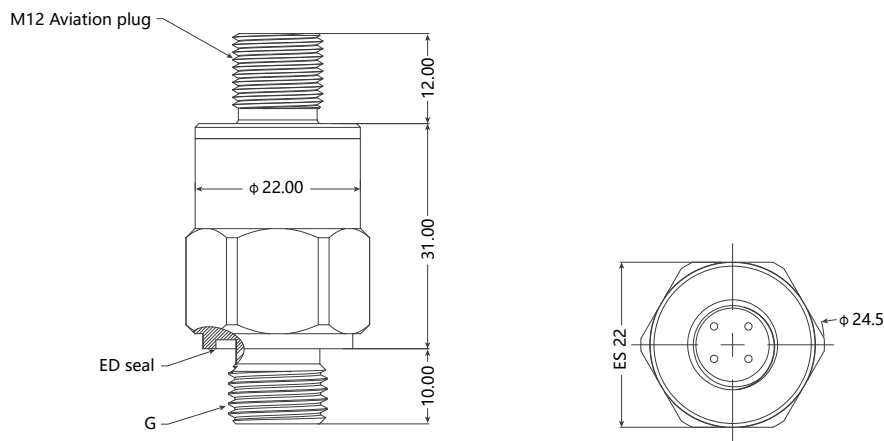
Ceramic piezoresistive pressure sensor, good corrosion resistance. Widely used in: process control, environmental control, water and pneumatic equipment, valves and drives, chemicals and chemical industry and various pressure instrument applications in many fields.



Technical parameter

- ◇ Measuring range: See range code
- ◇ Overload range: 150% full scale
- ◇ Accuracy: 0.5%
- ◇ Linearity: $\pm 0.3\%$
- ◇ Repeatability: $\leq \pm 0.2\%FS$
- ◇ Stability: better than 0.1% range per year
- ◇ Temperature effect: $< \pm 0.1\%FS/K$
- ◇ Response time: $< 100ms(10\% \dots 90\%FS)$
- ◇ Power supply: 9... 30VDC
- ◇ Load: $\geq 10K\Omega(0 \dots 10v)$, 5 k or more $\Omega(1 \dots 5V)$
 $\leq (UB-10)V, 0.02A(4 \dots 20mA)$
- ◇ Energy consumption: $< 30mA$
- ◇ Electrical protection: overload/reverse protection
- ◇ Ambient temperature: $-30 \dots 85\text{ }^\circ C$
- ◇ Medium temperature: $-25 \dots 80\text{ }^\circ C$
- ◇ Storage temperature: $-30 \dots 100\text{ }^\circ C$
- ◇ Protection grade: IP67
- ◇ Shell material: stainless steel 304

Dimension drawing (mm)



Selection list

PM244-	B01	G14M	A	expatiate
PM244-				PM244 pressure sensor
	B01			Range: 0... 1bar
	B02			Range: 0... 2bar
	B05			Range: 0... 5bar
	B10			Range: 0... 10bar
	B20			Range: 0... 20bar
	B35			Range: 0... 35bar
	B50			Range: 0... 50bar
		N14M		Process connection: external thread NPT1/4
		N12M		Process connection: external thread NPT1/2
		G14M		Process connection: external thread G1/4 ED
		G12M		Process connection: external thread G1/2 ED
		M20M		Process connection: external thread M20* 1.5ED
			A	Output signal: 4-20mA (two-wire system)
			V15	Output signal: 1-5V (three-wire system)
			V010	Output signal: 0-10V (three-wire system)
			V110	Output signal: 1-10V (three-wire system)

Optional accessories - electrical accessories(Factory standard: ZL02-PC02G-P)

name	Outline drawing/dimension drawing (mm)	material	model	M12* 1-4pin self-connector/size drawing (mm)	model	
M12*1-4Pin (2m cable)		PUR	ZL02-PU02G-P		GL04 (4Pin joint)	
M12*1-4Pin (5m cable)			ZL02-PU05G-P			
M12*1-4Pin (10m cable)			ZL02-PU010G-P			
M12*1-4Pin (2m cable)		PUR	ZL02-PC02G-P		WL04 (4Pin joint)	
M12*1-4Pin (5m cable)			PVC			ZL02-PC05G-P
M12*1-4Pin (10m cable)			ZL02-PC010G-P			
M12*1-4Pin (2m cable)		PUR	ZL02-PU02W-P			
M12*1-4Pin (5m cable)		ZL02-PU05W-P				
M12*1-4Pin (10m cable)		ZL02-PU010W-P				
M12*1-4Pin (2m cable)	PVC	ZL02-PC02W-P				
M12*1-4Pin (5m cable)		ZL02-PC05W-P				
M12*1-4Pin (10m cable)		ZL02-PC010W-P				

Optional accessories - electrical accessories(Factory standard: ZL03-PC02G)

name	Outline drawing/dimension drawing (mm)	material	model
M12*1-4Pin (2m cable)		PUR	ZL03-PU02G
M12*1-4Pin (5m cable)			ZL03-PU05G
M12*1-4Pin (10m cable)			ZL03-PU010G
M12*1-4Pin (2m cable)		PVC	ZL03-PC02G
M12*1-4Pin (5m cable)			ZL03-PC05G
M12*1-4Pin (10m cable)			ZL03-PC010G
M12*1-4Pin (2m cable)		PUR	ZL03-PU02W
M12*1-4Pin (5m cable)		ZL03-PU05W	
M12*1-4Pin (10m cable)		ZL03-PU010W	
M12*1-4Pin (2m cable)	PVC	ZL03-PC02W	
M12*1-4Pin (5m cable)		ZL03-PC05W	
M12*1-4Pin (10m cable)		ZL03-PC010W	