



principle characteristics

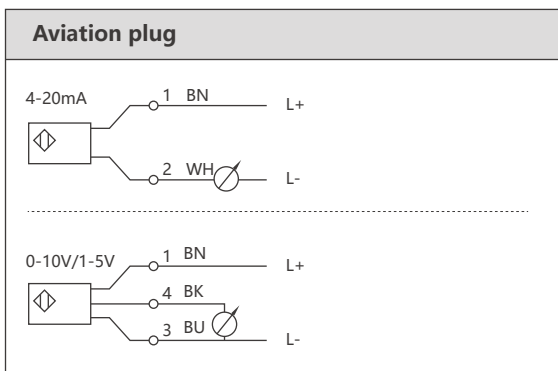
PM241 flat film pressure transmitter uses digital optimized circuit, compact structure, very suitable for pressure measurement station for high viscous media, with excellent impact resistance and vibration ability, very suitable for glue, resin and other industries working environment, all kinds of working conditions can maintain good stability.

- Flat film type, double seal
- Compact structure, small and beautiful
- Anti-interference processing, digital circuit
- High precision, long life design

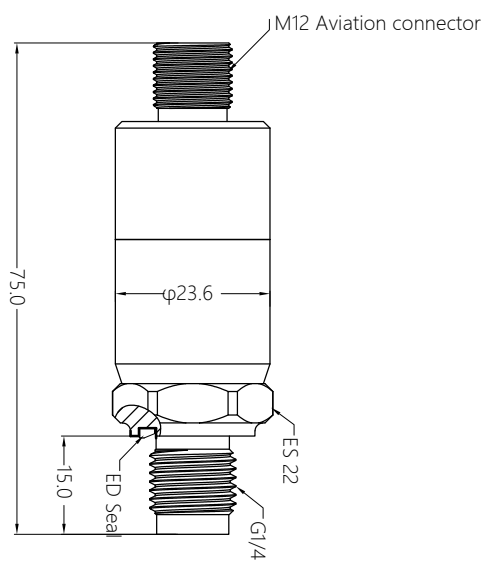
product application

- Food and medicine
- Hydraulic and pneumatic systems
- Pumps and compressors
- Machinery Building

wiring diagram



Size chart (mm)



Technical parameters

Measurement range: See the range table

Overload pressure: 150%F.S

◇ Output signal: 4... 20 ma two wire

0... 10 v / 1-10 v three wire system

0-5V/1... 5 v three wire system

◇ Supply voltage: DC16... 30V

◇ Current consumption: < 30mA

◇ Precision specifications: precision, analog signal: $\pm 1.0\%FS$,

Including nonlinear accuracy, backdifference, zero offset and full scale

Point deviation (in accordance with IEC61298-2)

Long-term offset: $\pm 0.1FS$

◇ Operating conditions

Medium temperature: -20... 85 °C

Ambient temperature: -20... 80 °C

Storage temperature: -20... 65 °C

Shock resistance: 20g (according to IEC60068-2-6)

Impact resistance: 500g (according to IEC60068-2-27)

Protection class: IP65 and IP67

His material

Liquid receiving parts: 304

Surface body shell: 304

Electrical connection: 304

Sealing material: fluorine rubber

Electrical connection

Connection: M12*1 cable/cable straight out

Safety: short circuit protection, reverse polarity protection

Insulation: 200 m or more Ω / DC500V

Overpressure: DC36V

Range code

Standard range	Range code	Standard range	Range code
50mbar	B005	1bar	B1
100mbar	B01	2bar	B2
350mbar	B035	6bar	B6
600mbar	B06	10bar	B10
		25bar	B25
		50bar	B50
		100bar	B100
		250bar	B250

Selection table

PM241-	B	2	G14M	A	Detailed description
PM241					PM241 Series diffused silicon pressure sensor
	B				Range (for details, see the range table)
		2			Accuracy grade: 0.2
		5			Accuracy grade: 0.5
			G14M		Process connection: G1/4 external thread
				A	Output signal: 4... 20mA
				V05	Output signal: 0... 5V
				V15	Output signal: 1... 5V
				V010	Output signal: 0... 10V
				V110	Output signal: 1... 10V

Optional accessories - electrical accessories(Factory standard: ZL02-PC02G-P)

name	Outline drawing/dimension drawing (mm)	material	model
M12*1-4Pin (2m cable)		PUR	ZL02-PU02G-P
M12*1-4Pin (5m cable)			ZL02-PU05G-P
M12*1-4Pin (10m cable)			ZL02-PU010G-P
M12*1-4Pin (2m cable)		PUR	ZL02-PC02G-P
M12*1-4Pin (5m cable)			ZL02-PC05G-P
M12*1-4Pin (10m cable)			ZL02-PC010G-P
M12*1-4Pin (2m cable)		PVC	ZL02-PU02W-P
M12*1-4Pin (5m cable)			ZL02-PU05W-P
M12*1-4Pin (10m cable)			ZL02-PU010W-P
M12*1-4Pin (2m cable)	PVC	ZL02-PC02W-P	
M12*1-4Pin (5m cable)		ZL02-PC05W-P	
M12*1-4Pin (10m cable)		ZL02-PC010W-P	

M12* 1-4pin self-connector/size drawing (mm)	model
	GL04 (4Pin joint)
	WL04 (4Pin joint)

Optional accessories - electrical accessories(Factory standard: ZL03-PC02G)

name	Outline drawing/dimension drawing (mm)	material	model
M12*1-4Pin (2m cable)		PUR	ZL03-PU02G
M12*1-4Pin (5m cable)			ZL03-PU05G
M12*1-4Pin (10m cable)			ZL03-PU010G
M12*1-4Pin (2m cable)		PVC	ZL03-PC02G
M12*1-4Pin (5m cable)			ZL03-PC05G
M12*1-4Pin (10m cable)			ZL03-PC010G
M12*1-4Pin (2m cable)		PUR	ZL03-PU02W
M12*1-4Pin (5m cable)			ZL03-PU05W
M12*1-4Pin (10m cable)			ZL03-PU010W
M12*1-4Pin (2m cable)	PVC	ZL03-PC02W	
M12*1-4Pin (5m cable)		ZL03-PC05W	
M12*1-4Pin (10m cable)		ZL03-PC010W	