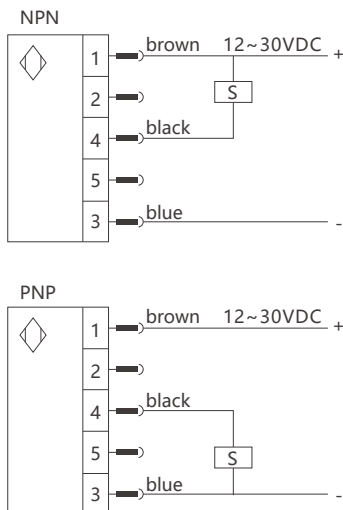




**Product features**

- Intelligent frequency sweep technology is used to detect point and object position
- Reliable detection of various media
  - Support various process connections
  - Suitable for health industry and industrial applications
  - Medium temperature -20~80°C

**Wiring diagram**

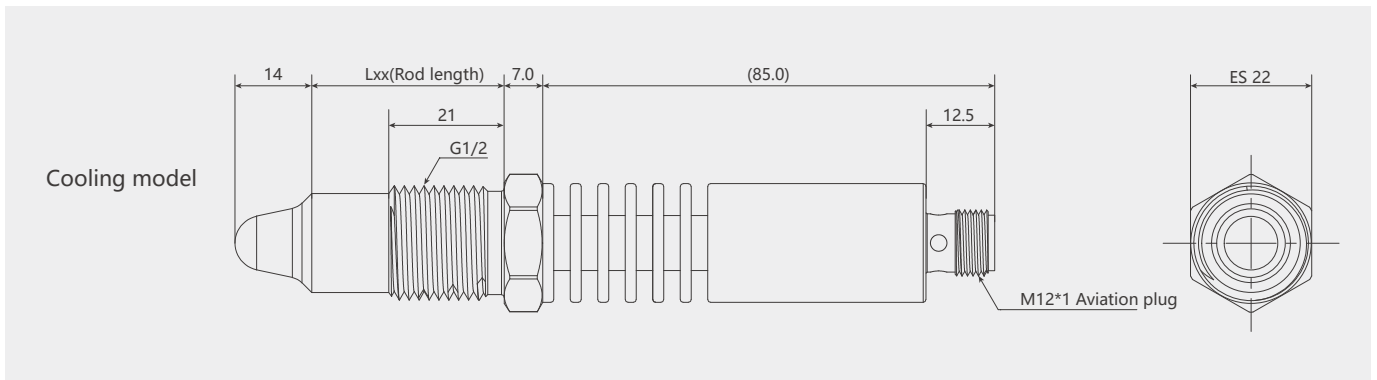
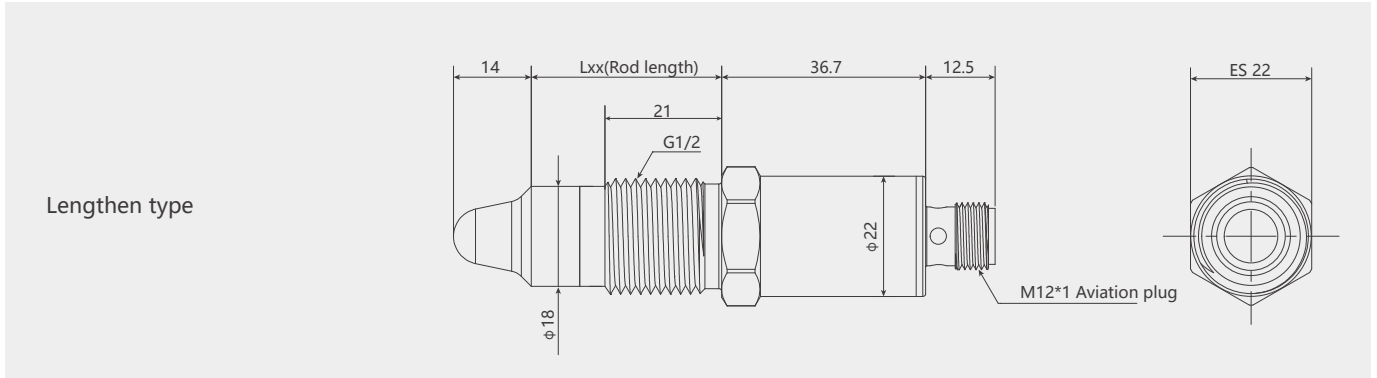
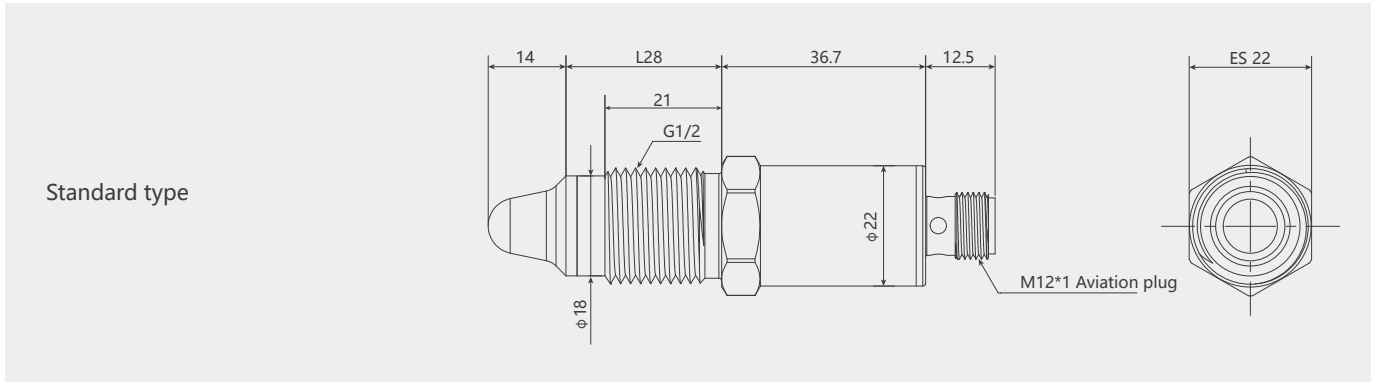


**Technical parameters**

- ◇ Measurement principle: liquid level switch (frequency scanning)
- ◇ Medium characteristics: DC > 1.5
- ◇ Lag: ±1mm
- ◇ Repeat accuracy: ±1mm
- ◇ Response time: 0.1s, TYP. 0.2 s, Max.
- ◇ Damping time: 0... 10s, adjustable
- ◇ Liquid receiving parts material: PEEK Natura 316 I (1.4404)
- ◇ Surface roughness of the receiving parts: Ra ≤ 0.8 μm
- ◇ Output type: PNP/NPN
- ◇ Switch logic: NORMALLY closed (NC)/ normally open (NO)
- ◇ EMC Electromagnetic radiation: EN 61326, installed in a sealed metal canister
- ◇ EMC Electromagnetic immunity: EN 61326, installed in an airtight metal can

name	Outline drawing/Dimension drawing (unit :mm)	order number
Sanitary chuck installation accessories	<p>Standard outside diameter 50.5 sanitary chuck</p>	LS280-K50.5 KTYLLC13868
Welding the base		LS280-HJDZ KTYLLC13867

## Size chart (mm)



## Selection table

LS280-	L030	M	-	-	-	-	expatiate		
LS280-							LS280 capacitive level switch		
	L030						Probe length: 30mm		
	L035						Probe length: 35mm		
	L050						Probe length: 50mm		
	L100						Probe length: 100mm		
	L250						Probe length: 250mm		
	LXX						Probe length: Customizable		
		M					M12 aviation plug-in		
		Z					Direct outlet	1	1M
								2	2M
			-				PNP output		
			-N				NPN output		
				-			Normally open (NO)		
				C			Normal close (NC)		
					-		Normal form		
					ED		ED seal		
						-	Standard type: Medium temperature -20... 80°C		
						T	Heat dissipation type: medium temperature -40... 130 °C		

## Optional accessories - electrical accessories (Factory standard: ZL05-PC02G)

name	Outline drawing/dimension drawing (mm)	material	model
M12*1-5Pin (2m cable)		PUR	ZL05-PU02G
M12*1-5Pin (5m cable)			ZL05-PU05G
M12*1-5Pin (10m cable)			ZL05-PU010G
M12*1-5Pin (2m cable)		PVC	ZL05-PC02G
M12*1-5Pin (5m cable)			ZL05-PC05G
M12*1-5Pin (10m cable)			ZL05-PC010G

M12* 1-5Pin self-connector/size drawing (mm)	model
	GL05 (5Pin joint)
	WL05 (5Pin joint)