

## Features

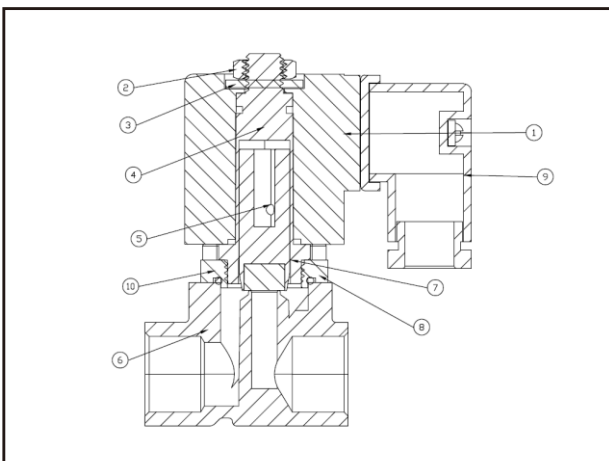
- Large-diameter direct-action design, with fast response speed
- The product is small in size and easy to install.
- High flow rate, with good tolerance for impurities
- Suitable for liquid circulation impact working conditions, with better sealing performance than the diaphragm type.



## Product Information

SY22316-__-ZD		
Body Material	Brass	
Sealing Material	NBR, EPDM, FKM	
Working Temperature	-20 ~ 80°C (120°C optional)	
Operating Pressure	0 - 1.0 Mpa	
Proof Pressure	1.5 Mpa	
Orifice (mm)	6mm	
CV Value	1.0 Cv	
Port Size	1/8" , 1/4" , 3/8" , 1/2"	
Power Consumption	AC: 22VA	DC: 20W

## Product Structure



No.	Structure and material	
①	Coil:	Pa6
②	Nut:	Iron
③	Coil pad:	Iron
④	Static core:	stainless steel
⑤	Spring:	stainless steel
⑥	Valve body:	brass
⑦	Dynamic core:	stainless steel
⑧	Front cover:	brass
⑨	Terminal:	Pa6
⑩	Fix nuts:	Iron



# Solenoid Valve Direct Acting Solenoid Valve

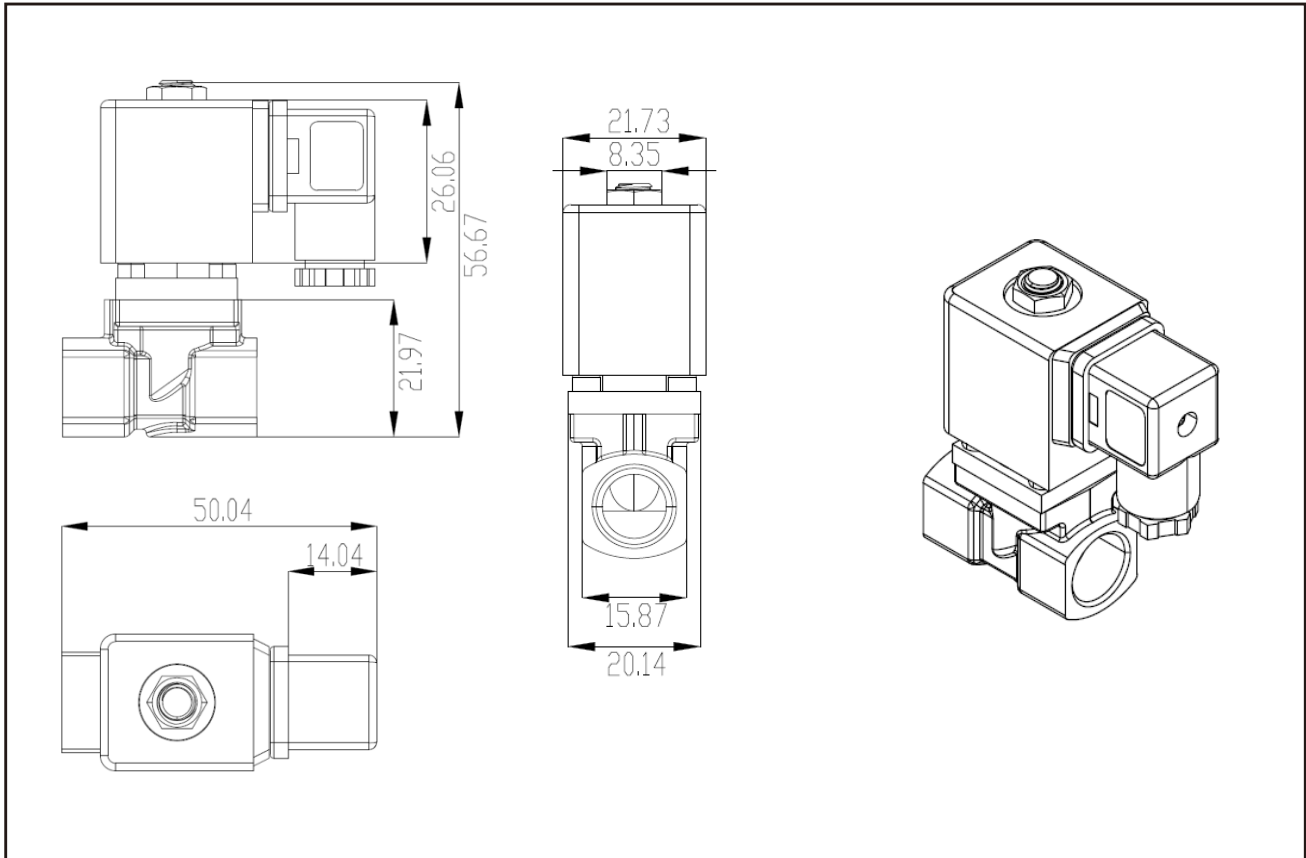
SY22316-ZD  
1/8" ~ 1/2" BSP

2/2  
SERIES

SY223-ZD

YAW-5

## Product Dimension:



## Ordering Code

SY22316	-	1	5	V	-	Z	D	-	A	2	-	D	-	N	
<b>Series Code</b> Sy22316: SY22316 series		<b>Port Size</b> 06: 1/8" G 08: 1/4" G 10: 3/8" G 15: 1/2" G				<b>Working Type</b> ZD: Direct Acting			<b>Voltages</b> A1: AC380V    D1: DC12V A2: AC220V    D2: DC24V A3: AC110V A4: AC24V			<b>Coil Type</b> D: DIN Coil		<b>Thread Type</b> Blank: G thread N: NPT thread	
				<b>Seals</b> Blank: NBR V: FKM E: EPDM											

### Ordering Example:

SY22316 series 2/2 ways solenoid valve , 1/2" Port Size, 0- 10 bar , brass valve body , DC24V G thread, FKM seals, N.C. [SENYA part# SY22316-15V-ZD-D2](#)