

## Features

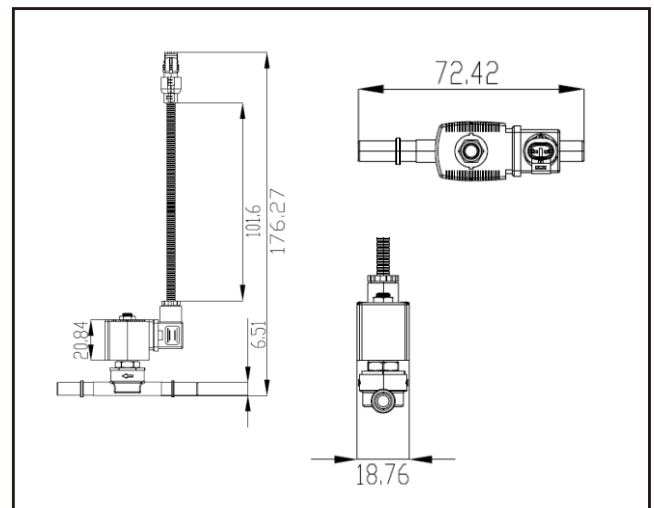
- Integrated design, quick installation within 5 seconds
- AMP automotive-specific locknut connector, ensuring a secure connection
- Compact design, diaphragm type high-flow capacity
- Metal diaphragm support structure, with longer lifespan



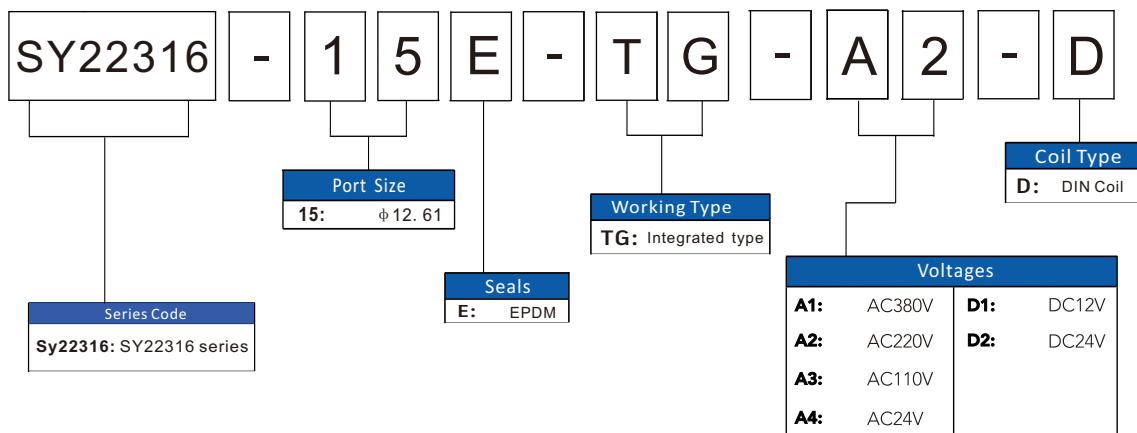
## Product Information

SY22316-15-TG		
Body Material	Brass	
Sealing Material	EPDM	
Working Temperature	-20 ~ 120°C	
Operating Pressure	0.03 - 1.0 Mpa	
Proof Pressure	1.5 Mpa	
Orifice (mm)	10 mm	
CV Value	1.43 Cv	
Port Size	φ12.61 tube	
Power Consumption	AC: 14VA	DC: 12W

## Product Structure



## Ordering Code



### Ordering Example:

SY22316 series 2/2 ways solenoid valve , φ 12. 61 tube , 0.03- 10 bar , brass valve body , DC24V , EPDM seals, N.C. [SENYA part# SY22316-15E-TG-D2](#)