

2/2
SERIES
Y

Direct Acting
3/2 - 2/2 ways Compact Solenoid Valve
Brass Bodies
1/8" BSP



Features

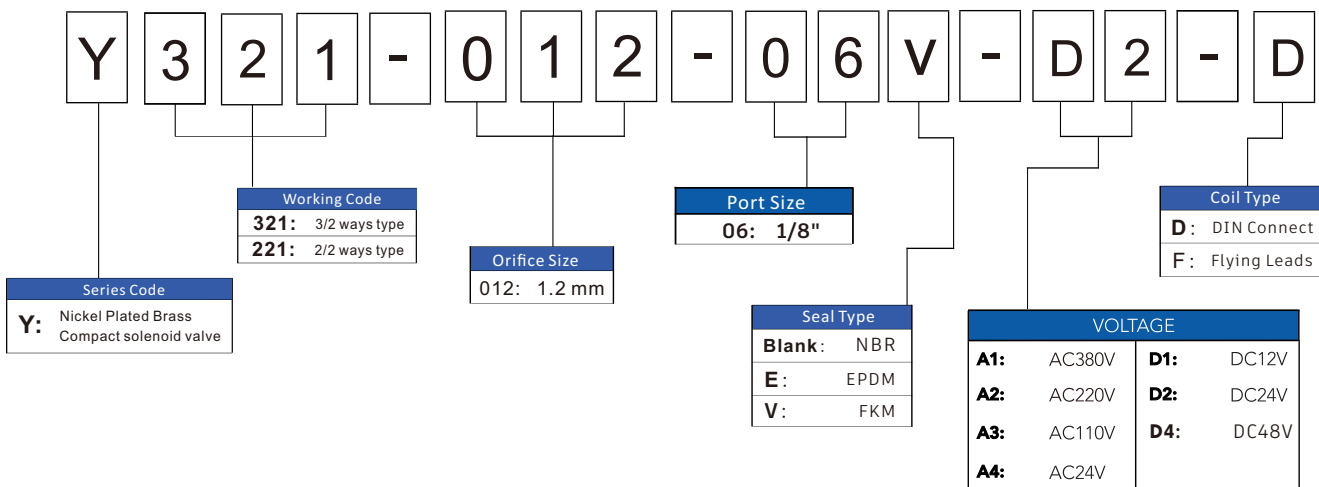
- Very Compact Design, Easy Bottom Mounting
- The product is nickel-plated with copper, featuring excellent corrosion resistance.
- The coil is IP65 rated. The lead type and DIN connecting options are available.
- Y series can choose 3/2 ways or 2/2 ways type



Product Information

Y321 series			
Body Material	Nickel Plated Brass		
Sealing Material	NBR	EPDM	VITON
Working Temperature	80°C	120°C	130°C
Operating Pressure	0-13 Bar (2/2 ways), 0 - 10 Bar (3/2 ways)		
Voltage range	AC220V, DC48V, DC24V, DC12V		
Coil Power	4.8W		
CV Value	Cv: 0.27		
Installation	Bottom Mounting M4*2		
Port Size	Bottom Port: 1/8"G	Top Port: M5 (3/2 ways only)	

Ordering Code



Ordering Example:

Y series 3/2 ways , 1.2 Orifice Size, 1/8"G port size, FKM seals, 0 - 10 Bar, DC24V, DIN Connector
SENYA part# Y321-012-06V-D2-D



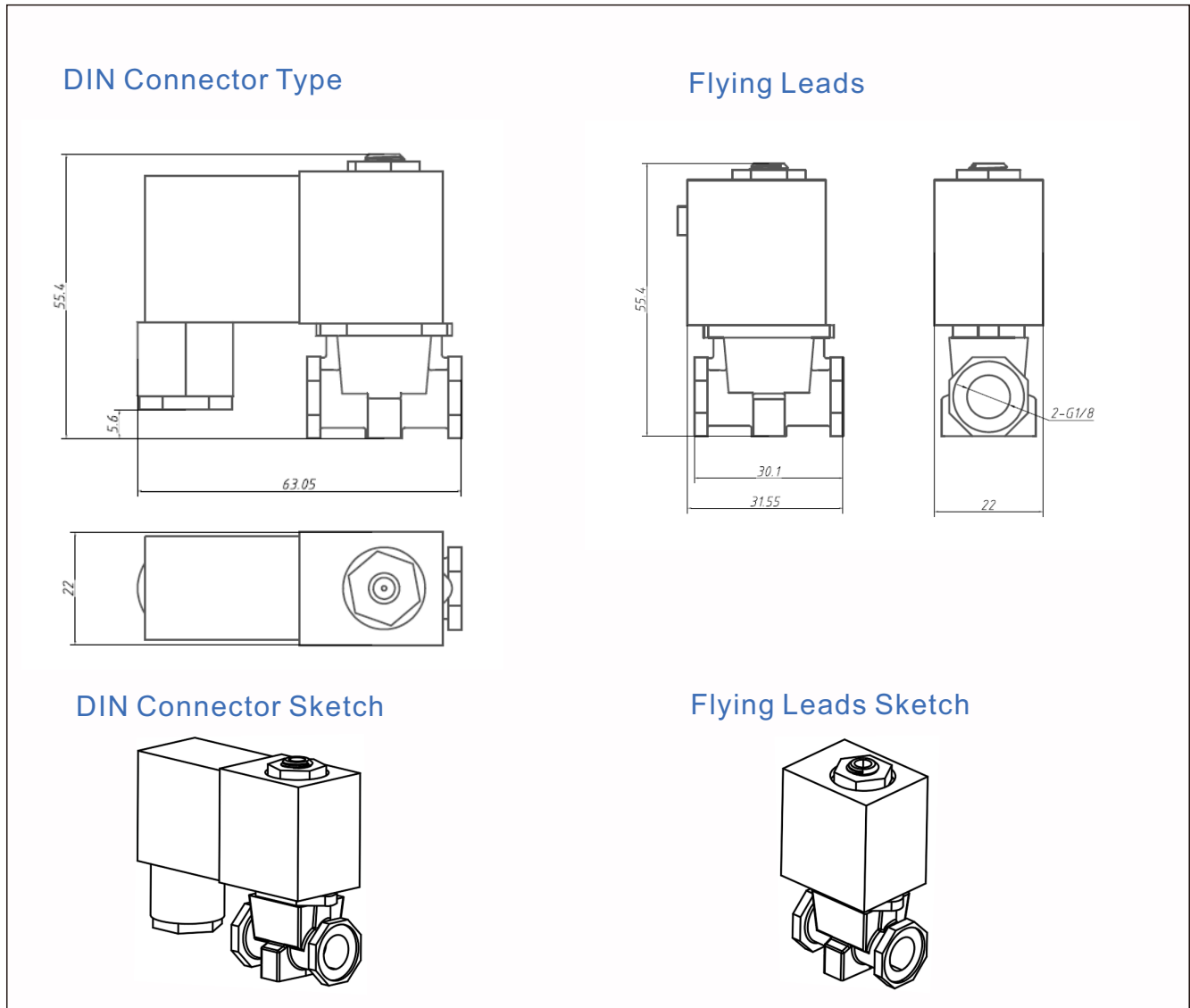
3/2 - 2/2 ways Compact Solenoid Valve

Direct Acting
Brass Bodies
1/8" BSPP

2/2
SERIES
Y

YAW/S

Product Dimension:



Specifications

Port Size	Orifice Size mm	CV Value	water, air Pressure Difference light oil				Nickel Plated Brass Part#
			AC	DC	AC	DC	
1/8"	1.2	0.27	13	13	13	13	Y221-012-06V-D2-D
1/8" & M5	1.2	0.27	10	10	10	10	Y321-012-06V-D2-D