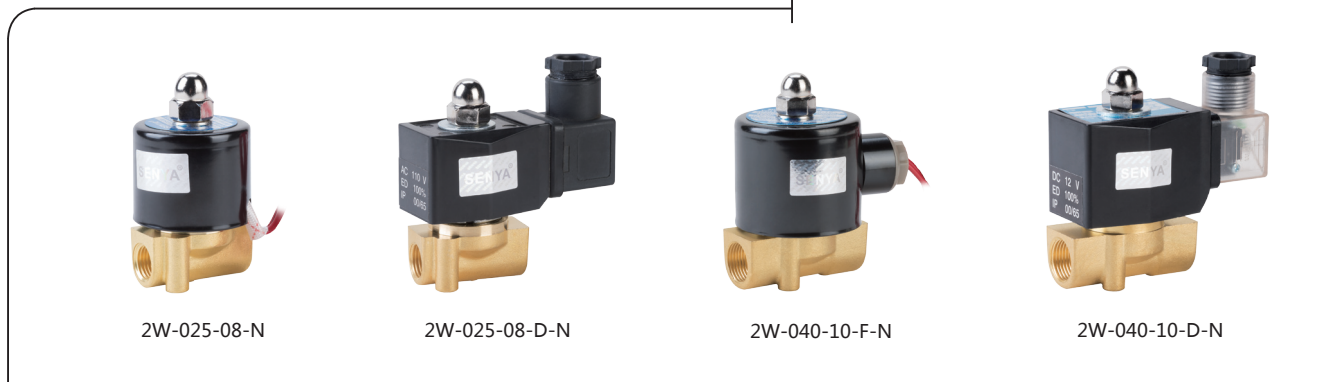
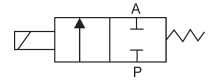


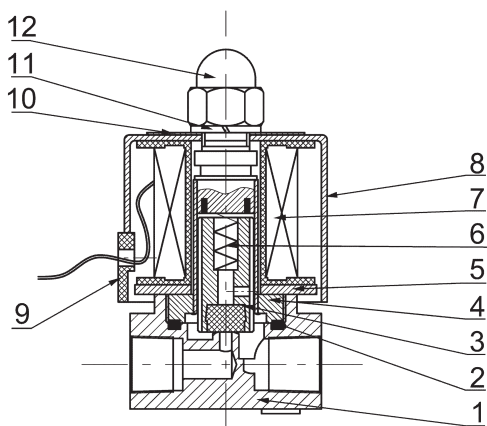
2W Series Solenoid Valve (High-sensitivity model)



Ordering Code

2W	025	-	08V	-	A4	-	F	-	N
Series	Aperture of Flow Rate		Port Size		Standard Voltage		Coil Type		High Sensitivity
2W: 2/2 way solenoid valve (direct drive type)	<b>012:</b> 1.2mm <b>020:</b> 2mm <b>025:</b> 2.5mm <b>030:</b> 3.0mm <b>040:</b> 4.0mm		<b>06:</b> 1/8" <b>08:</b> 1/4" <b>10:</b> 3/8"  <b>Blank:</b> NBR <b>E:</b> EPDM <b>V:</b> FKM		<b>D1:</b> DC12V <b>D2:</b> DC24V <b>A4:</b> AC24V <b>A3:</b> AC110V <b>A2:</b> AC220V <b>A1:</b> AC380V		<b>F:</b> flying leads type  <b>D:</b> DIN connector		<b>N:</b> response: open <10ms   close <20ms

Inner Structure



NO.	Name
1	Body of Valve
2	o-ring
3	Assembly of Iron Core
4	Assembly of Iron Core
5	Magnetic Plate
6	Spring
7	Assembly of Coil
8	Iron Cover
9	Cord-locks
10	Name Plate
11	Gasket
12	Head Cover Nut

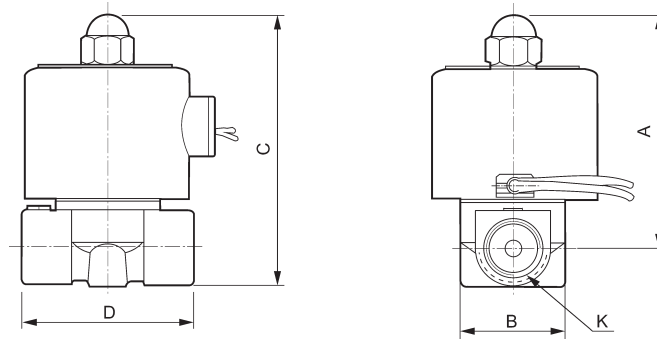
## 2W Series Solenoid Valve (High-sensitivity model)

### Technical Parameter

Model	2W025-06(08)-N	2W030-08-N	2W040-10-N	2WH012-06-N	2WH012-08-N	2WH020-10-N
Working Medium	Air, Water, Oil, Gas					
Motion Pattern	Direct Drive Type					
Type	High-sensitivity model ; response: open <10ms   close <20ms					
Aperture of Flow Rate	2.5mm	3mm	4mm	1.2mm		2mm
CV Value	0.23	0.33	0.60	0.05		0.15
Port Size	1/8"(1/4")	1/4"	3/8"	1/8"	1/4"	3/8"
Operation Fluid Viscosity	below 20 CST					
Working-pressure	0~7kgf/cm <sup>2</sup>	0~10kgf/cm <sup>2</sup>		0~20kgf/cm <sup>2</sup>		
Max. Pressure Resistance	10kgf/cm <sup>2</sup>	15kgf/cm <sup>2</sup>		35kgf/cm <sup>2</sup>		
Operating Temperature Range	-5~80°C					
Voltage Range	±10%					
Material of Body	Brass					
Material of Oil Seal	NBR , EPDM , VITON					

■ Please contact factory for special voltage and sepcification.

### Overall Dimension



### Dimension Sheet

Model	A	B	C	D	K(G)
2W025-06-N	66	30.3	75	41.5	1/8"
2W025-08-N	66	30.3	75	41.5	1/4"
2W030-08-N	59	24	69	40	1/4"
2W040-10-N	74	32.5	87	53	3/8"
2WH012-06-N	66	30.3	75	40.5	1/8"
2WH012-08-N	66	30.3	75	40.5	1/4"
2WH020-10-N	74	32.5	87	53	3/8"